



Chipsmall Limited consists of a professional team with an average of over 10 year of expertise in the distribution of electronic components. Based in Hongkong, we have already established firm and mutual-benefit business relationships with customers from,Europe,America and south Asia,supplying obsolete and hard-to-find components to meet their specific needs.

With the principle of "Quality Parts,Customers Priority,Honest Operation,and Considerate Service",our business mainly focus on the distribution of electronic components. Line cards we deal with include Microchip,ALPS,ROHM,Xilinx,Pulse,ON,Everlight and Freescale. Main products comprise IC,Modules,Potentiometer,IC Socket,Relay,Connector.Our parts cover such applications as commercial,industrial, and automotives areas.

We are looking forward to setting up business relationship with you and hope to provide you with the best service and solution. Let us make a better world for our industry!



Contact us

Tel: +86-755-8981 8866 Fax: +86-755-8427 6832

Email & Skype: info@chipsmall.com Web: www.chipsmall.com

Address: A1208, Overseas Decoration Building, #122 Zhenhua RD., Futian, Shenzhen, China



REVISIONS			
REV	DESCRIPTION, ECN, EAR NO.	DATE	APP'D
E	PROPOSAL DRAWING	APR 18/14	L.CHAN
F	PROPOSAL DRAWING	MAY 21/15	L.CHAN
G	UPDATE BACK WALL OF SHIELD	FEB 14/17	L.CHAN

AMPHENOL PART NUMBER DESCRIPTION

RJE58-188-5X01

GOLD PLATING OPTION

- 1=6u" GOLD PLATING
- 2=15u" MIN. GOLD PLATING
- 3=30u" MIN. GOLD PLATING
- 4=50u" MIN. GOLD PLATING

NOTES:

ELECTRICAL:

1. VOLTAGE RATING: 125 VAC.
2. CURRENT RATING: 1.25 AMP.
3. INSULATING RESISTANCE: 500 MEGOHMS MINIMUM.
4. DIELECTRIC STRENGTH: 1000 VAC RMS 60Hz, 1 MIN.
5. CATEGORY 5e CHARACTERISTIC:

FREQUENCY MHz	NEAR-END CROSS TALK dB, MIN.	RETURN LOSS dB, MIN	INSERTION LOSS dB, MAX
1.0	65	30	0.1
4.0	65	30	0.1
8.0	64.9	30	0.1
10.0	63	30	0.1
16.0	58.9	30	0.2
20.0	57	30	0.2
25.0	55	30	0.2
31.25	53.1	30	0.2
62.5	47.1	24.1	0.3
100.0	43	20	0.4

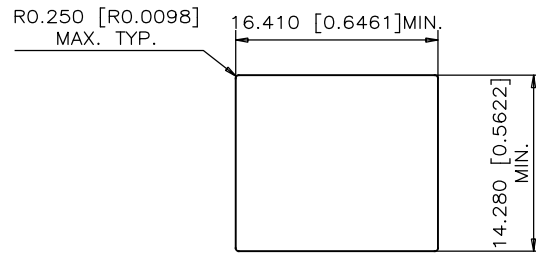
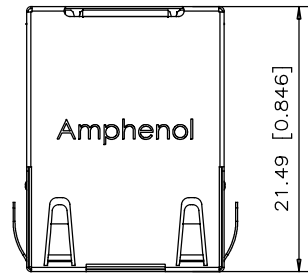
MECHANICAL:

1. SHIELD: STAINLESS STEEL, WITH TIN-DIP ON SOLDER TABS.
2. HOUSING: HIGH TEMP THERMOPLASTIC. UL 94V-0.
3. CONTACT: COPPER ALLOY
SELECTIVE GOLD PLATING FOR MATING SURFACE,
50u" NICKEL UNDERPLATE
100u" MATTE TIN PLATING ON CONTACT SOLDER TAIL.

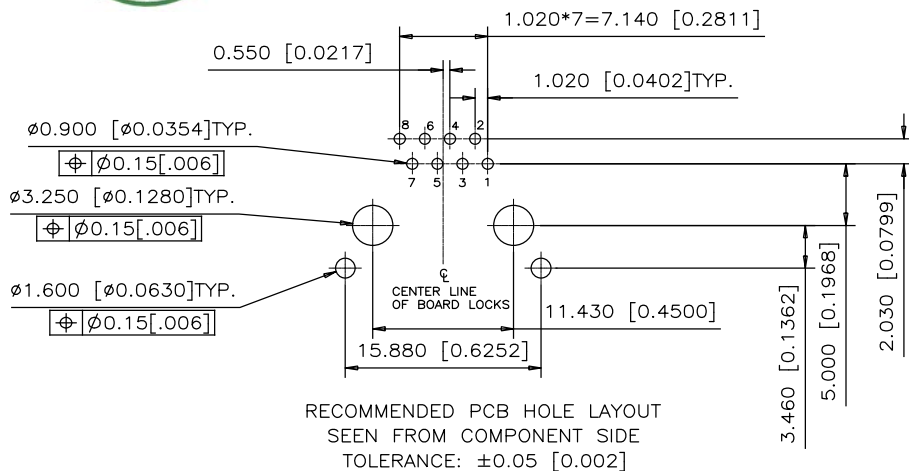
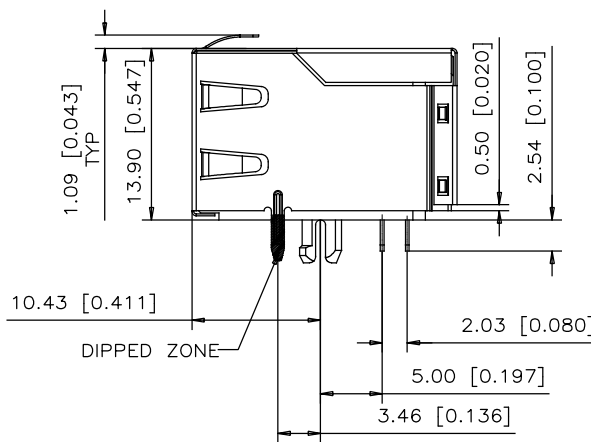
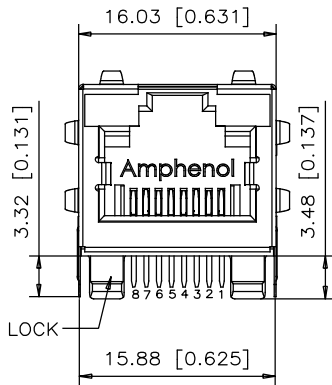
ENVIRONMENTAL:

1. STORAGE: -40° TO +85°.
2. OPERATION: -40° TO +85°.

MATES WITH MODULAR PLUG CONFORMING TO TIA-1096 STANDARD.
RECOMMENDED SOLDER PROCESS: WAVE SOLDER, PEAK TEMPERATURE 260° FOR 10 SECOND.



RECOMMENDED PANEL CUTOUT



UNLESS SPECIFIED OTHERWISE	DRAWN HUGH WANG	MAY 09/12
PRIMARY UNITS MILLIMETERS	CHECKED L.CHAN	MAY 09/12
SECONDARY INCHES	M.E. APP'D	
REFERENCE IN PARENTHESES	Q.A. APP'D	
GENERAL TOLERANCES FOR MM	DWG APP'D A.GREEN	MAY 09/12
1 DECIMAL PLACE ±0.5	ENG. REL. NO.	
2 DECIMAL PLACES ±0.38	REF.	
3 DECIMAL PLACES ±0.10	THIRD ANGLE PROJECTION	DO NOT SCALE DRAWING

Amphenol Canada Corp. www.amphenolcanada.com	
MODULAR JACK, SINGLE PORT, 8P8C, SHIELDED, TAB UP TYPE WITHOUT LED, CAT 5e - RoHS COMPLIANT	
DWG NO. P-RJE58-188-5X01	REV G
CODE ID NO. 03554	DWG SIZE/A SCALE FIT SHEET 1 OF 1