



Chipsmall Limited consists of a professional team with an average of over 10 year of expertise in the distribution of electronic components. Based in Hongkong, we have already established firm and mutual-benefit business relationships with customers from,Europe,America and south Asia,supplying obsolete and hard-to-find components to meet their specific needs.

With the principle of “Quality Parts,Customers Priority,Honest Operation,and Considerate Service”,our business mainly focus on the distribution of electronic components. Line cards we deal with include Microchip,ALPS,ROHM,Xilinx,Pulse,ON,Everlight and Freescale. Main products comprise IC,Modules,Potentiometer,IC Socket,Relay,Connector.Our parts cover such applications as commercial,industrial, and automotives areas.

We are looking forward to setting up business relationship with you and hope to provide you with the best service and solution. Let us make a better world for our industry!



Contact us

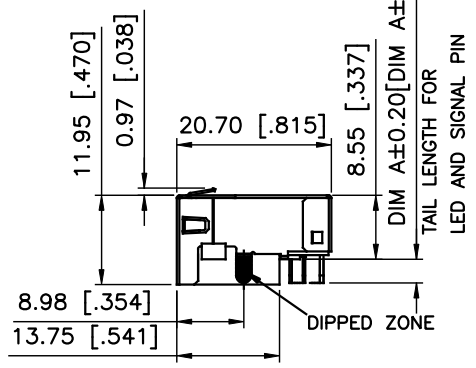
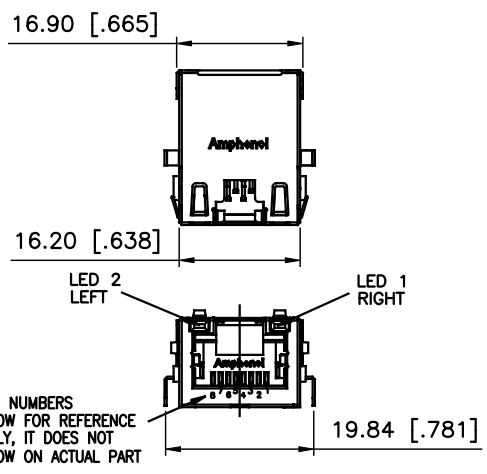
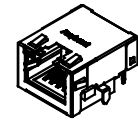
Tel: +86-755-8981 8866 Fax: +86-755-8427 6832

Email & Skype: info@chipsmall.com Web: www.chipsmall.com

Address: A1208, Overseas Decoration Building, #122 Zhenhua RD., Futian, Shenzhen, China

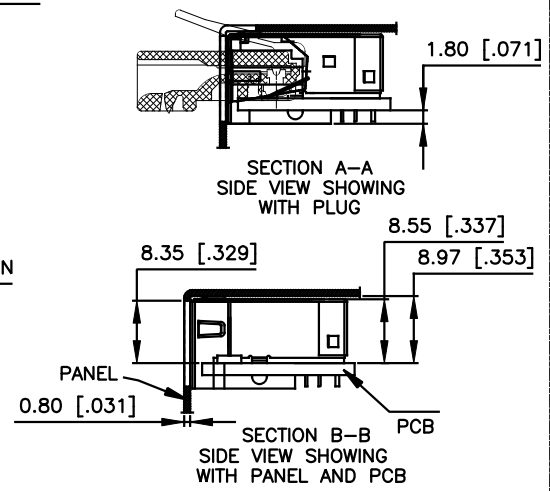
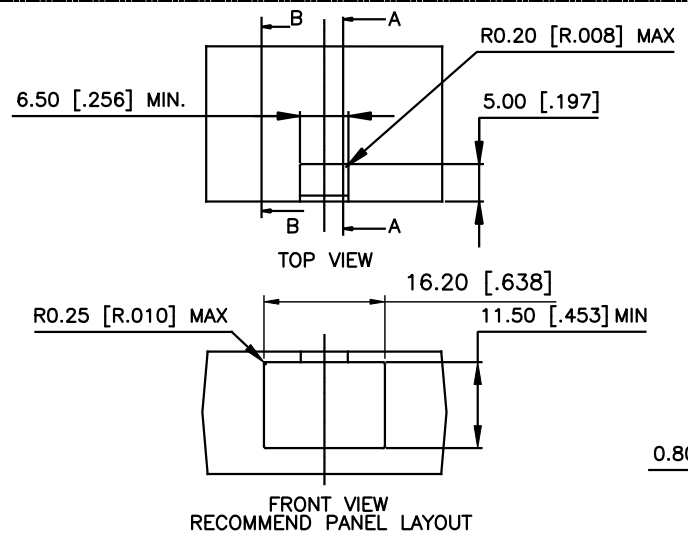


REVISIONS			
REV	DESCRIPTION, ECN, EAR NO.	DATE	APP'D
E	CHANGE SHELL SHAPE ON THE TOP FACE	MAR06,2015	L.CHAN
F	UPDATE LED SCHEMATIC	DEC17,2015	L.CHAN

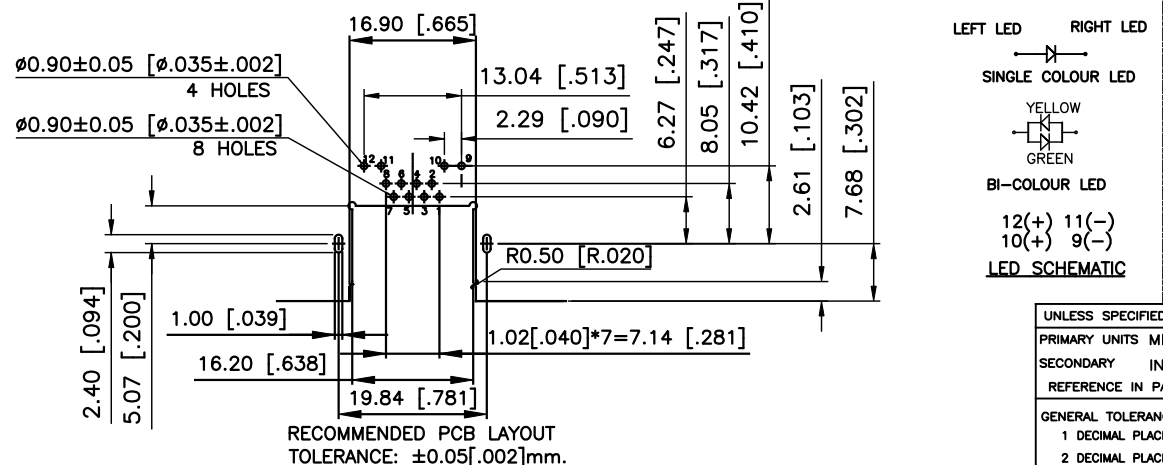


- NOTES:
ELECTRICAL:
- VOLTAGE RATING : 125 VAC.
 - CURRENT RATING : 1.25 AMP.
 - INSULATING RESISTANCE : 500 MEGOHMS MINIMUM.
 - DIELECTRIC STRENGTH : 1000 VAC 60Hz, 1MIN.
 - CATEGORY 6 CHARACTERISTIC:

Frequency MHz	Near-End Crosstalk dB, MIN.	Return Loss dB, MIN.	Insertion loss dB, MAX.
1.0	75.0	30.0	0.1
4.0	75.0	30.0	0.1
8.0	75.0	30.0	0.1
10.0	74.0	30.0	0.1
16.0	69.9	30.0	0.1
20.0	68.0	30.0	0.1
25.0	66.0	30.0	0.1
31.25	64.1	30.0	0.11
62.5	58.1	28.1	0.16
100.0	54.0	24.0	0.20
200.0	48.0	18.0	0.28
250.0	46.0	16.0	0.32



- MECHANICAL:
- SHIELD : STAINLESS STEEL, WITH TIN-DIP ON SOLDER TABS.
 - HOUSING : HIGH TEMP THERMOPLASTIC. UL 94V-0.
 - INSERT : HIGH TEMP THERMOPLASTIC UL 94V-0.
 - PCB : FR-4.
 - CONTACT : PHOSPHOR BRONZE. SELECTIVE GOLD PLATING FOR MATING SURFACE, SEE AMPHENOL PART NUMBER FOR DETAIL. 50u" NICKEL UNDERPLATE 100u" MATTE TIN PLATING ON CONTACT SOLDER TAIL.
- ENVIRONMENTAL:
- STORAGE : -40° TO +85°.
 - OPERATION : -40° TO +85°.
- MATES WITH MODULAR PLUG CONFORMING TO TIA 1096.
RECOMMENDED SOLDER PROCESS: WAVE SOLDER, PEAK TEMPERATURE 260° FOR 5 SECOND MAXIMUM.



- AMPHENOL PART NUMBER: RJE71-188-1XXX
- GOLD PLATING OPTION _____
- 1=6u" [0.15 MICRONS] GOLD PLATING
- 2=15u" [0.38 MICRONS] GOLD PLATING
- 3=30u" [0.76 MICRONS] GOLD PLATING
- 4=50u" [1.27 MICRONS] GOLD PLATING
- _____ OPTIONS (SEE BELOW TABLE 1) REFER TO LED OPTIONS DRAWING FOR ORDERING CODES

TABLE 1

RJE711881XX1	3.18 [.125]	2.36 [.093]
RJE711881XX2	2.27 [.089]	1.57 [.062]
RJE711881XX3	2.16 [.085]	1.57 [.062]

AMPHENOL P/N: DIM A RECOMMEND PCB THICKNESS

UNLESS SPECIFIED OTHERWISE	DRAWN HUGH WANG JULY 17,2012
PRIMARY UNITS MILLIMETERS	CHECKED L.CHAN JULY 17,2012
SECONDARY INCHES	M.E. APP'D
REFERENCE IN PARENTHESES	Q.A. APP'D
GENERAL TOLERANCES FOR MM	DWG APP'D ADRIAN.G JULY 17,2012
1 DECIMAL PLACE ±0.50	ENG. REL. NO.
2 DECIMAL PLACE ±0.30	REF.
3 DECIMAL PLACE ±0.10	
ANGULAR DEGREES ±3°	

Amphenol Canada Corp.
www.amphenolcanada.com

MODULAR JACK, SINGLE PORT, 8 POSITIONS, 8 CONTACTS, SHIELDED WITH TOP & SIDE TABS, WITH LED, SINK PCB TYPE, TAB UP, CAT6

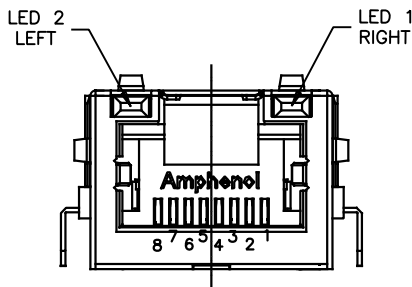
DWG NO. P-RJE71-188-1XXX REV F

CODE ID NO. 03554 DWG SIZE: C SCALE: N/A SHEET 1 OF 2

THIS DOCUMENT CONTAINS PROPRIETARY INFORMATION AND SUCH INFORMATION MAY NOT BE DISCLOSED TO OTHERS FOR ANY PURPOSE OR USED FOR MANUFACTURING PURPOSES WITHOUT WRITTEN PERMISSION FROM AMPHENOL CANADA CORP.

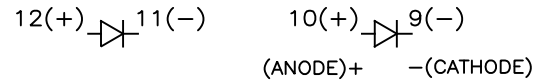
REVISIONS			
REV	DESCRIPTION, ECN, EAR NO.	DATE	APP'D
A	PROPOSAL DRAWING	MAR18,2016	A.G.

RJE72 SERIES LED OPTIONS TYPICAL FOR SINGLE & MULTI-PORTS



LED SPECIFICATIONS:
 FORWARD VOLTAGE: 2.2 VOLTS TYP.
 REVERSE VOLTAGE: 5.0 VOLTS MIN.
 LUMINOUS INTENSITY: 5 mCd MIN.
 (AT IF=20mA)
 STORAGE TEMPERATURE: -40° TO 85° C

PRIMARY COLOR FOR Bi-COLOR
 LEDS IN STANDARD ANODE/CATHODE
 CONFIGURATION IS:
 RED-GREEN = RED
 RED-YELLOW = RED
 GREEN-YELLOW = GREEN
 GREEN-ORANGE = GREEN



EXAMPLE:
 PART NUMBER RJE72-X88-1XXX

↑
LED COLOR CODE

LEGEND
 BiC=Bi-COLOR LED
 YE=YELLOW
 GR=GREEN
 RE=RED
 OR=ORANGE

NOTE:
 THE TWO DIGITS PRECEDING THE
 ADDITIONAL LED CODE MUST BE
 USED IN THE PART NUMBER, WHEN
 ORDERING ANY OF THE ADDITIONAL
 LED OPTIONS.

CODE	LED 2 (LEFT)	LED 1 (RIGHT)	CODE	LED 2 (LEFT)	LED 1 (RIGHT)	CODE	LED 2 (LEFT)	LED 1 (RIGHT)
0	BLOCKED	BLOCKED	9	GREEN	BLOCKED	J	BiC RD/GR	YELLOW
1	YELLOW	GREEN	A	BiC GR/YE	BiC GR/YE	K	YELLOW	BiC GR/OR
2	BLOCKED	GREEN	B	BiC RD/GR	BiC RD/GR	L	BiC GR/YE	RED
3	YELLOW	BLOCKED	C	BiC RD/GR	BiC GR/YE	M	RED	YELLOW
4	GREEN	YELLOW	D	GREEN	BiC GR/YE	P	GREEN	BiC RD/GR
5	GREEN	GREEN	E	YELLOW	BiC GR/YE	R	BiC GR/OR	GREEN
6	YELLOW	YELLOW	F	BiC GR/YE	YELLOW	T	RED	RED
7	RED	YELLOW	G	BiC GR/OR	BiC GR/OR	V	BiC RD/GR	GREEN
8	GREEN	RED	H	BiC GR/YE	GREEN			

UNLESS SPECIFIED OTHERWISE	DRAWN	KELVIN T	MAR,2016
PRIMARY UNITS MILLIMETERS	CHECKED		
SECONDARY INCHES	M.E. APP'D		
REFERENCE IN PARENTHESES	Q.A. APP'D		
GENERAL TOLERANCES FOR MM	DWG APP'D		
1 DECIMAL PLACE ±0.50	ENG. REL. NO.		
2 DECIMAL PLACE ±0.30	REF.		
3 DECIMAL PLACE ±0.10	THIRD ANGLE PROJECTION		DO NOT SCALE DRAWING
ANGULAR DEGREES ±3'			

Amphenol Canada Corp. www.amphenolcanada.com			
RJE72 LED OPTIONS DRAWING			
DWG NO.	P-RJE72-LEDS		REV A
CODE ID NO. 03945	DWG SIZE: C	SCALE: N/A	SHEET 1 OF 1