



Chipsmall Limited consists of a professional team with an average of over 10 year of expertise in the distribution of electronic components. Based in Hongkong, we have already established firm and mutual-benefit business relationships with customers from,Europe,America and south Asia,supplying obsolete and hard-to-find components to meet their specific needs.

With the principle of “Quality Parts,Customers Priority,Honest Operation,and Considerate Service”,our business mainly focus on the distribution of electronic components. Line cards we deal with include Microchip,ALPS,ROHM,Xilinx,Pulse,ON,Everlight and Freescale. Main products comprise IC,Modules,Potentiometer,IC Socket,Relay,Connector.Our parts cover such applications as commercial,industrial, and automotives areas.

We are looking forward to setting up business relationship with you and hope to provide you with the best service and solution. Let us make a better world for our industry!



Contact us

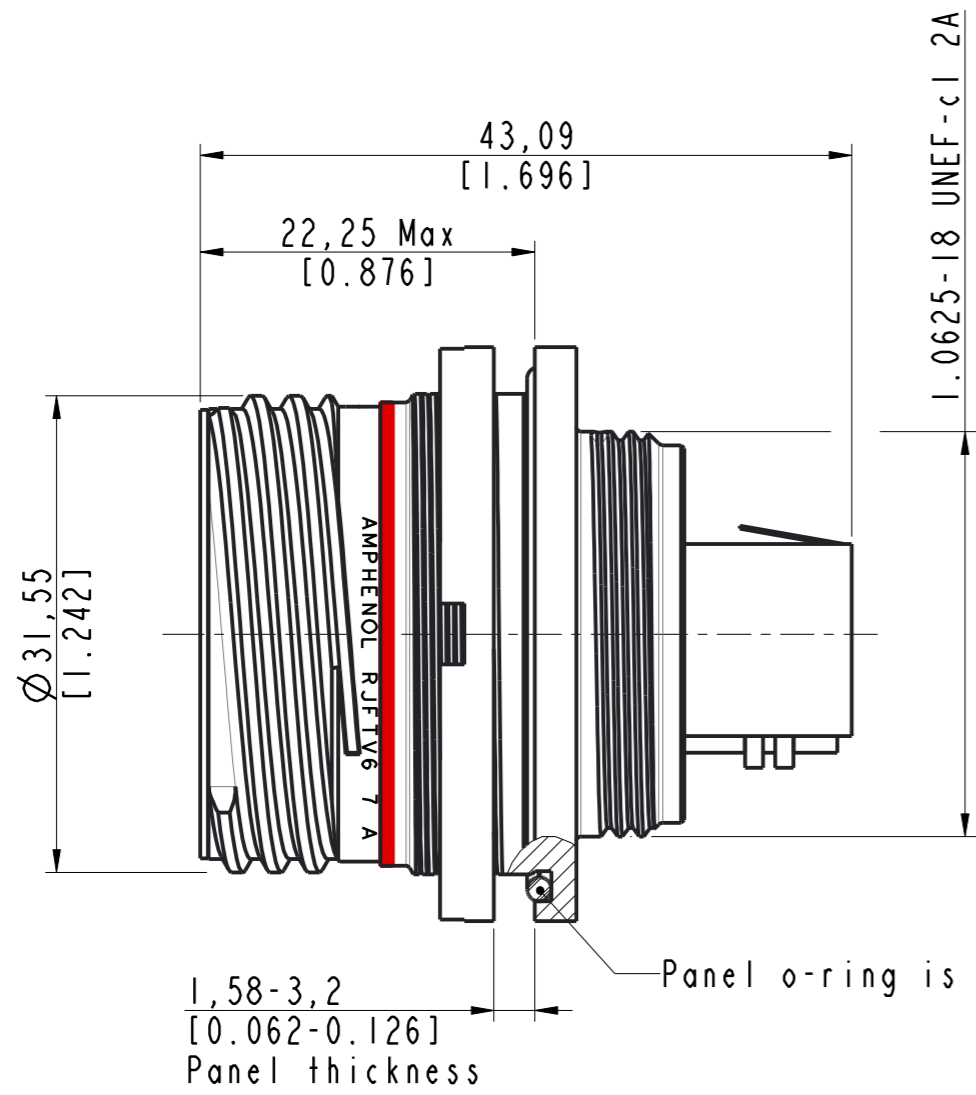
Tel: +86-755-8981 8866 Fax: +86-755-8427 6832

Email & Skype: info@chipsmall.com Web: www.chipsmall.com

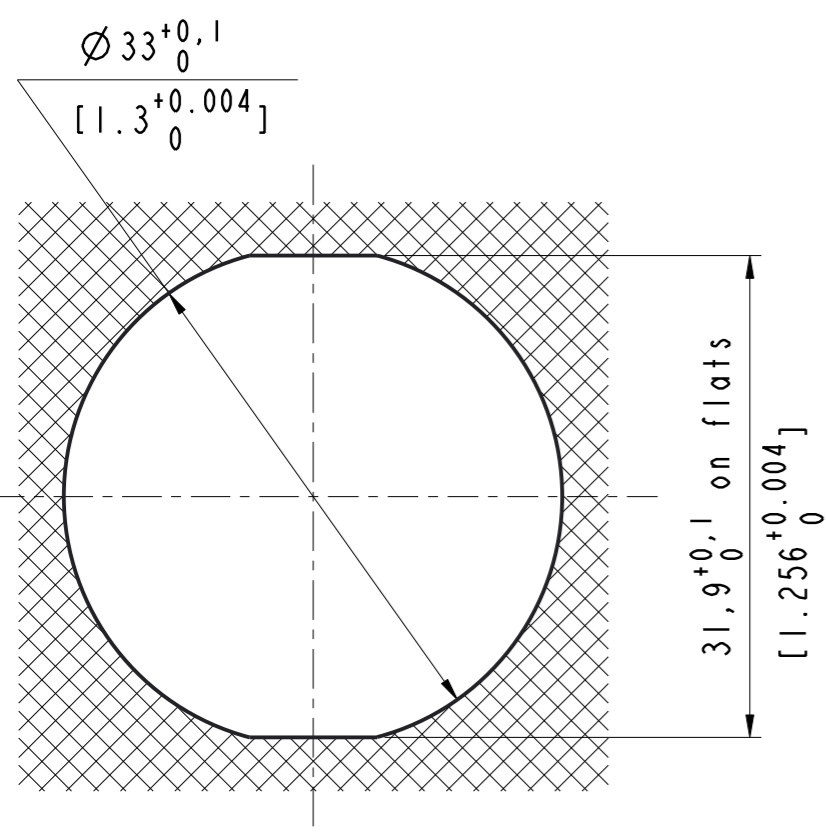
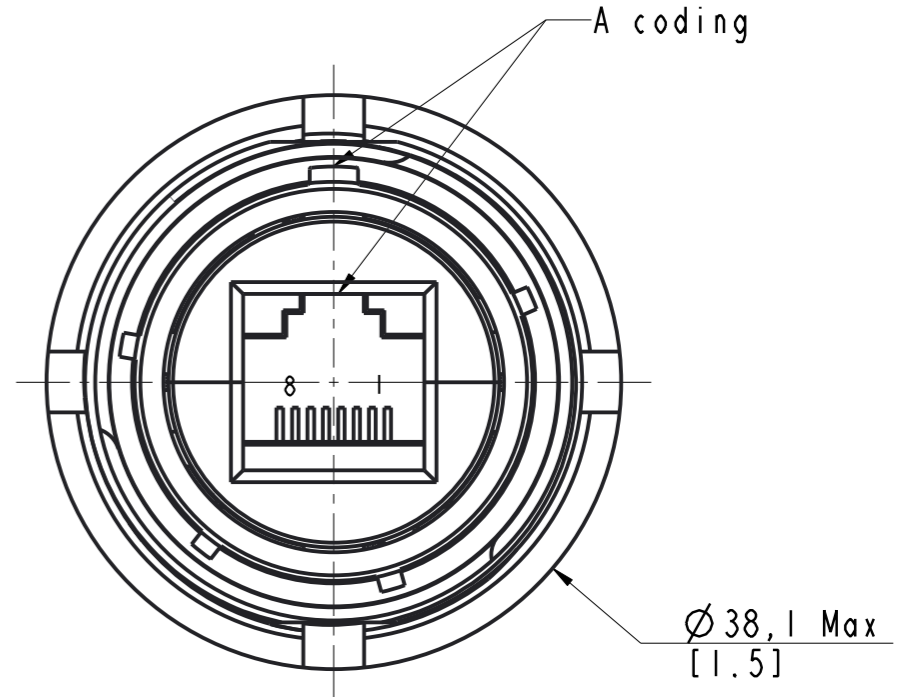
Address: A1208, Overseas Decoration Building, #122 Zhenhua RD., Futian, Shenzhen, China



DANS LE BUT CONSTANT D'AMELIORER SES PRODUITS, Amphenol Socapex SE RESERVE LE DROIT D'EN MODIFIER TOUTE COTE OU CARACTERISTIQUE.
IMP 036 A



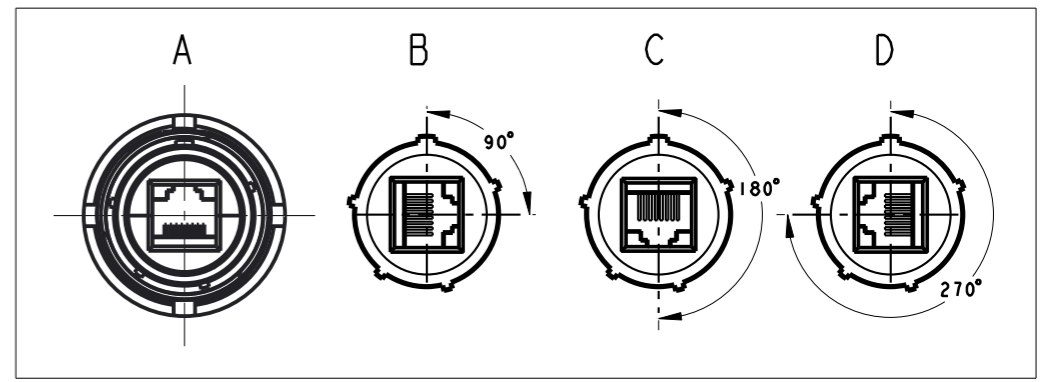
Panel o-ring is delivered with the receptacle



Panel drilling

Customer Approval _____

Codings
See table



RJFTV6 7 x 1 x F312

Receptacle CAT6

Reduced Flange

- N: Nickel
- G: Olive drab cadmium
- ZN: Black zinc nickel

MODIFICATIONS	A	Plan original	ECHELLE
			2

Amphenol Socapex

BP 29 - 74311 THYEZ CEDEX

DESSIN: M.Peters	LE:11/01/17
TECHNIQUE: L.Guyomar	LE:11/01/17
A	
191-PLC-741-00	1/1