



Chipsmall Limited consists of a professional team with an average of over 10 year of expertise in the distribution of electronic components. Based in Hongkong, we have already established firm and mutual-benefit business relationships with customers from,Europe,America and south Asia,supplying obsolete and hard-to-find components to meet their specific needs.

With the principle of "Quality Parts,Customers Priority,Honest Operation,and Considerate Service",our business mainly focus on the distribution of electronic components. Line cards we deal with include Microchip,ALPS,ROHM,Xilinx,Pulse,ON,Everlight and Freescale. Main products comprise IC,Modules,Potentiometer,IC Socket,Relay,Connector.Our parts cover such applications as commercial,industrial, and automotives areas.

We are looking forward to setting up business relationship with you and hope to provide you with the best service and solution. Let us make a better world for our industry!



Contact us

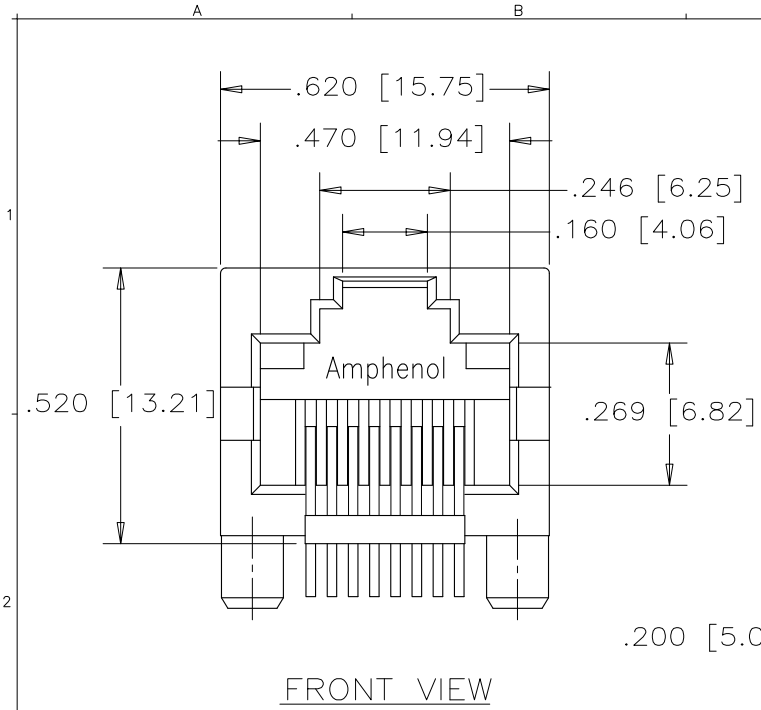
Tel: +86-755-8981 8866 Fax: +86-755-8427 6832

Email & Skype: info@chipsmall.com Web: www.chipsmall.com

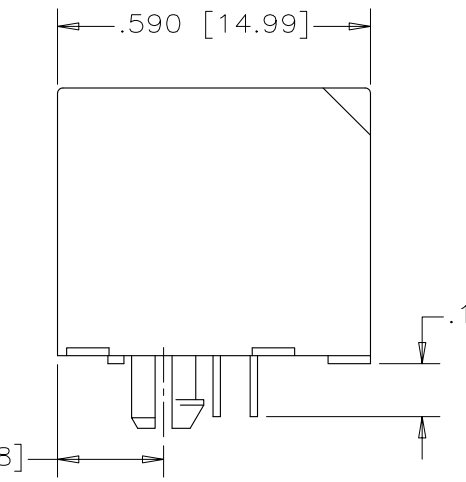
Address: A1208, Overseas Decoration Building, #122 Zhenhua RD., Futian, Shenzhen, China



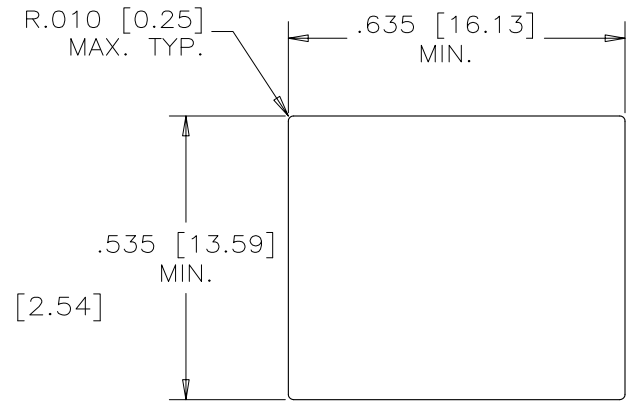
REVISIONS				
SYM	ZONE	ECN, ERN NO.	DATE	APPRD.
F		PROPOSAL	JUL18/12	L.CHAN
G		PROPOSAL	JUL31/12	L.CHAN



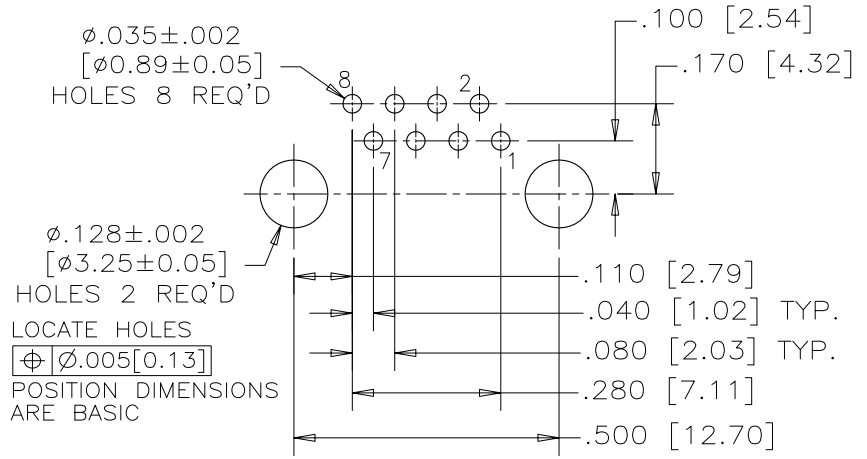
FRONT VIEW



SIDE VIEW



RECOMMENDED PANEL CUTOUT



RECOMMENDED P.C.B. LAYOUT
(COMPONENT SIDE OF BOARD)

MATERIALS:

PLASTIC HOUSING: HIGH TEMPERATURE THERMOPLASTIC
FLAMMABILITY RATING UL 94V-0,
COLOR: BLACK

CONTACTS:

PHOSPHOR BRONZE
PLATING: 50 μ" [1.27 MICRONS]
MIN. GOLD ON MATING SURFACES.
50 μ" [1.27 MICRONS]
MIN. NICKEL UNDERPLATE
100 μ" [2.54 MICRONS]
MIN. MATTE TIN ON CONTACT TAILS.



PART NUMBER: RJHSE-5080

TOLERANCE ARE :		DRAWN PAUL WANG	DATE 06/03/28	Amphenol Canada Corp.	
DECIMALs	ANGLEs	DESIGNED			
.X ±.025	X' ±3.0°	CHECKED CHIGOW	06/03/28	TITLE SINGLE-PORT HIGH SPEED RJ45 MODULAR JACK, WITHOUT LED, 8 POS. 8 CONTACTS, NO SHIELD-RoHS COMPLIANT	
.XX ±.020	.X' ±2.0°	I. E. APPRD.		DWG DRAWING NO. P-RJHSE-5080	
.XXX ±.015	.XX' ±1.0°	Q. A. APPRD.		REV. G	
		DWG. APPRD.		SCALE: WT. ----- SURF. ----- SHEET 1 OF 1	
		ENG. REL. NO.			
		REF.			
		DIMENSIONS ARE IN INCHES [mm]	CODE ID. NO. 03554		

THIS DOCUMENT CONTAINS PROPRIETARY INFORMATION AND SUCH INFORMATION MAY NOT BE DISCLOSED TO OTHERS FOR ANY PURPOSE OR USED FOR MANUFACTURING PURPOSES WITHOUT WRITTEN PERMISSION FROM AMPHENOL CANADA CORP.