



Chipsmall Limited consists of a professional team with an average of over 10 year of expertise in the distribution of electronic components. Based in Hongkong, we have already established firm and mutual-benefit business relationships with customers from,Europe,America and south Asia,supplying obsolete and hard-to-find components to meet their specific needs.

With the principle of “Quality Parts,Customers Priority,Honest Operation,and Considerate Service”,our business mainly focus on the distribution of electronic components. Line cards we deal with include Microchip,ALPS,ROHM,Xilinx,Pulse,ON,Everlight and Freescale. Main products comprise IC,Modules,Potentiometer,IC Socket,Relay,Connector.Our parts cover such applications as commercial,industrial, and automotives areas.

We are looking forward to setting up business relationship with you and hope to provide you with the best service and solution. Let us make a better world for our industry!



## Contact us

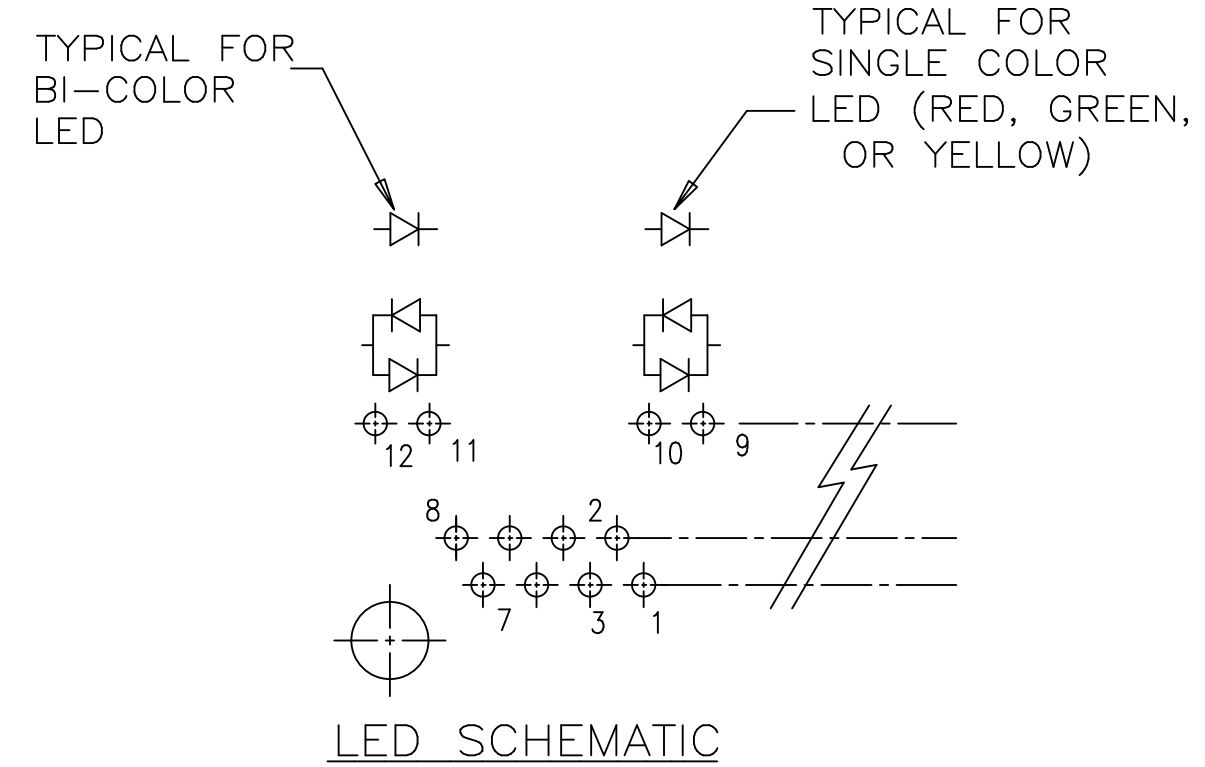
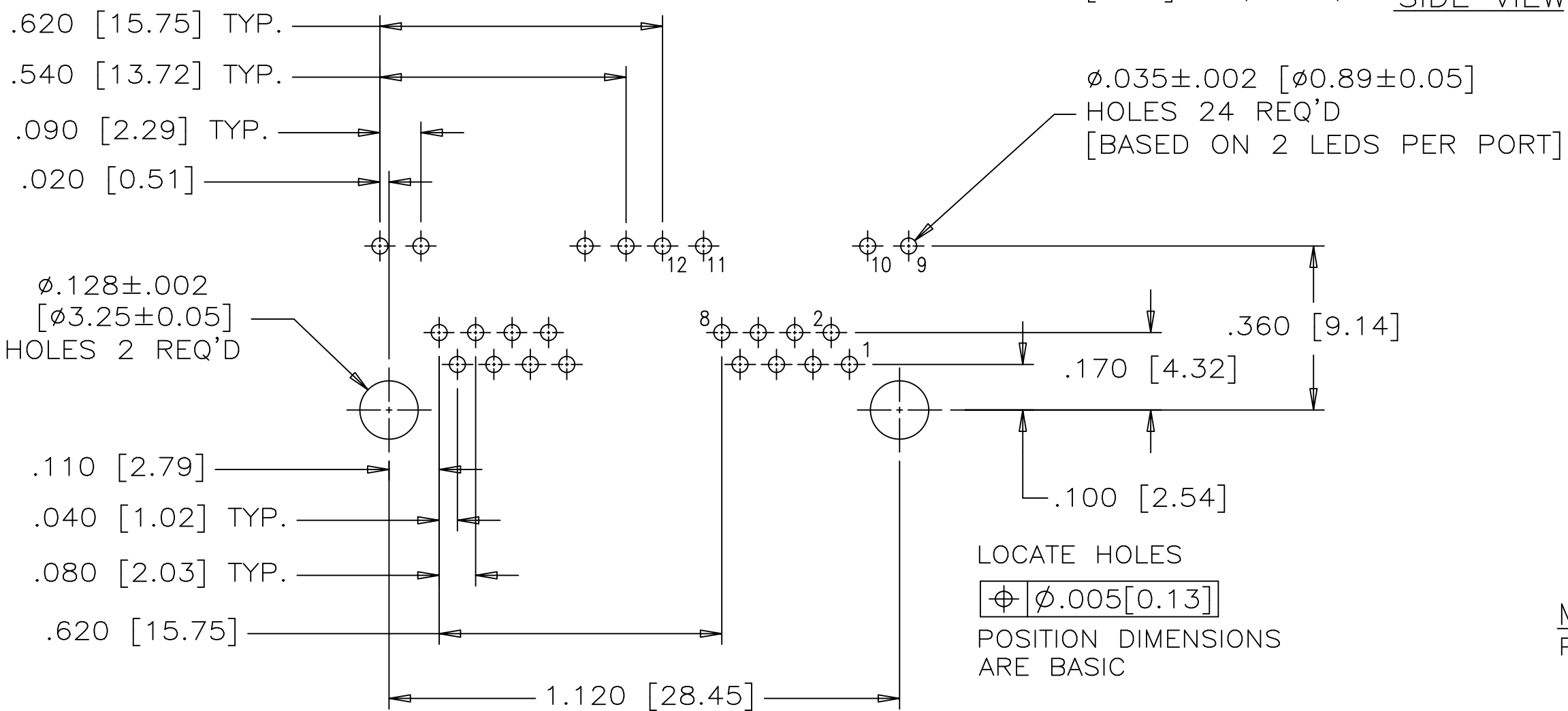
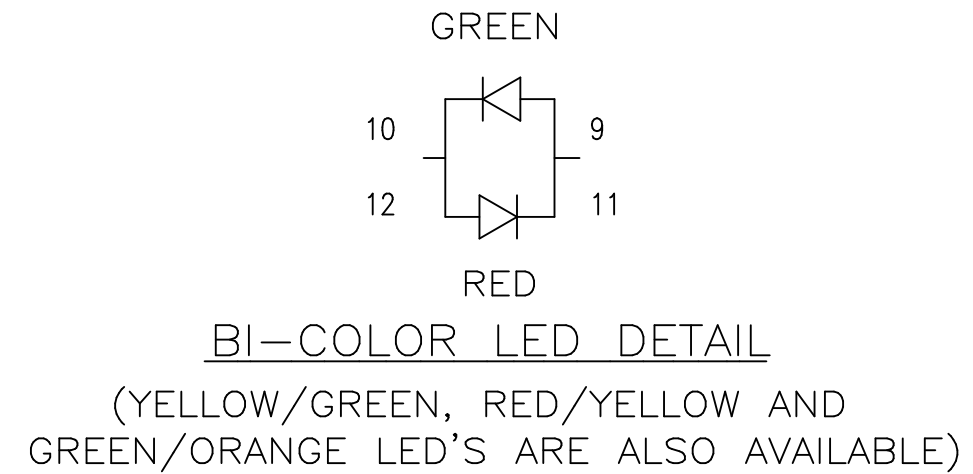
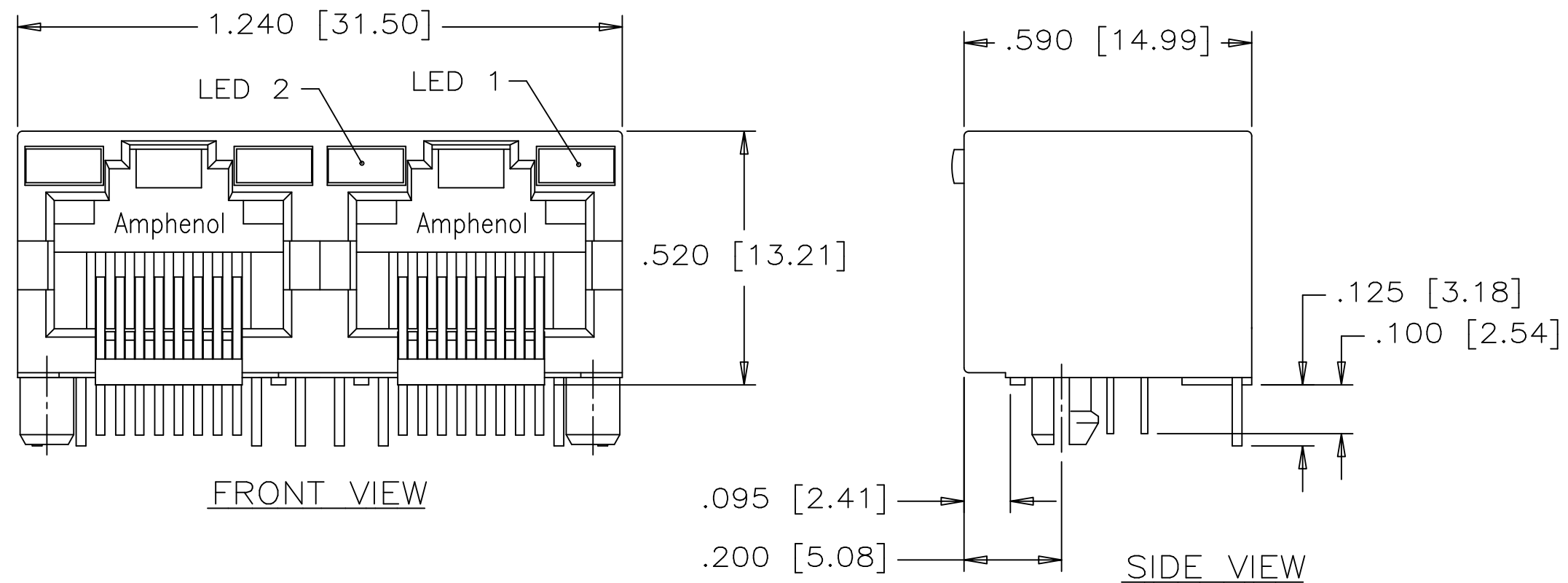
Tel: +86-755-8981 8866 Fax: +86-755-8427 6832

Email & Skype: info@chipsmall.com Web: www.chipsmall.com

Address: A1208, Overseas Decoration Building, #122 Zhenhua RD., Futian, Shenzhen, China



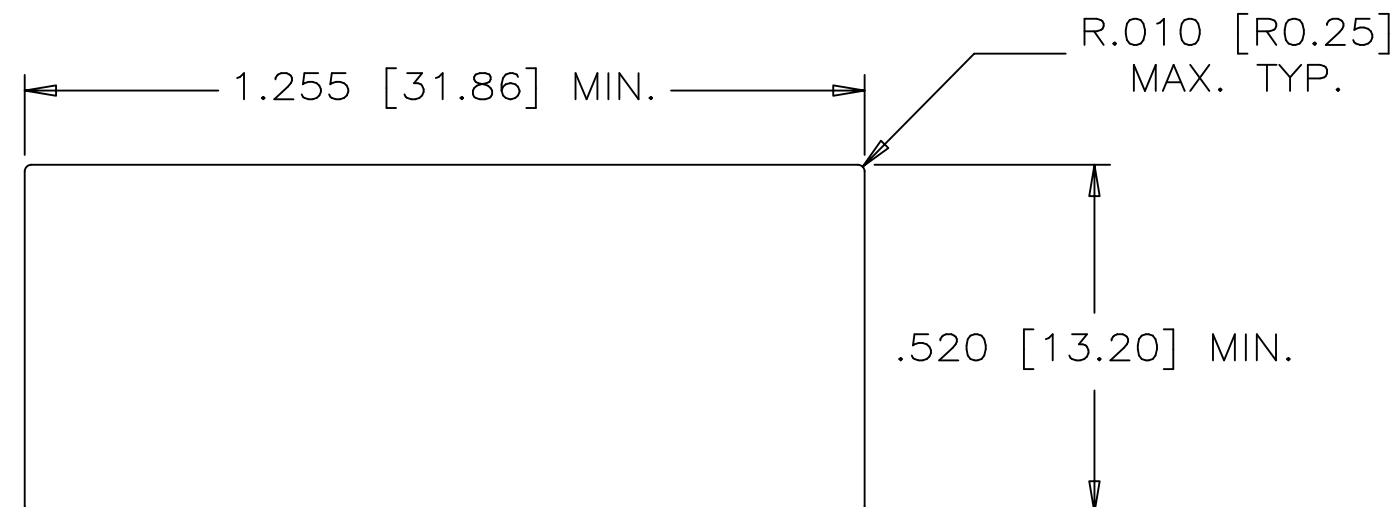
REVISIONS				
REV.	ECN, ERN NO.	DATE	REV BY	APPRD.
A	PROPOSAL DRAWING	OCT25/06		L.Chan
B	PROPOSAL DRAWING	JUN08/12		L.Chan
C	PROPOSAL DRAWING	JUN11/12		L.Chan
D	FIX LED SCHEMATIC	JAN07/13		L.Chan



**MATERIALS:**  
 PLASTIC HOUSING: ENGINEERING THERMOPLASTIC  
 FLAMMABILITY RATING UL 94V-0

**CONTACTS:**  
 PHOSPHOR BRONZE  
 PLATING: 50 μ" [1.27 MICRONS]  
 MIN. GOLD ON MATING SURFACES.  
 50 μ" [1.27 MICRONS]  
 MIN. NICKEL UNDERPLATE  
 100 μ" [2.54 MICRONS]  
 MIN. MATTE TIN ON CONTACT TAILS.

**PART NUMBER:** RJHSE-508X-02  
 REFER TO AMPHENOL CATALOGUE FOR LED COLOUR OPTIONS



RECOMMENDED PANEL CUTOUT

THIS DOCUMENT CONTAINS PROPRIETARY INFORMATION AND SUCH INFORMATION MAY NOT BE DISCLOSED TO OTHERS FOR ANY PURPOSE OR USED FOR MANUFACTURING PURPOSES WITHOUT WRITTEN PERMISSION FROM AMPHENOL CANADA CORP.

DRAWN	J. Wang	DATE	00/02/14	Amphenol Canada Corp.	
DESIGNED					
CHECKED	Chigow Xu	DATE	00/05/31	TITLE 2 PORT HIGH SPEED MODULAR JACK, 8 POSITION, 8 CONTACTS, WITH LEDS, WITHOUT SHIELD	
I. E. APPRD.					
Q. A. APPRD.				DWG DRAWING NO. P-RJHSE-508X-02	
DWG. APPRD.					
ENG. REL. NO.				REV.	D
REF.				SCALE	
DIMENSIONS ARE IN	INCHES [mm]	CODE ID. NO.	03554		
		WT.	-----	SURF.	-----
		SHEET 1 OF 1			