



Chipsmall Limited consists of a professional team with an average of over 10 year of expertise in the distribution of electronic components. Based in Hongkong, we have already established firm and mutual-benefit business relationships with customers from,Europe,America and south Asia,supplying obsolete and hard-to-find components to meet their specific needs.

With the principle of “Quality Parts,Customers Priority,Honest Operation,and Considerate Service”,our business mainly focus on the distribution of electronic components. Line cards we deal with include Microchip,ALPS,ROHM,Xilinx,Pulse,ON,Everlight and Freescale. Main products comprise IC,Modules,Potentiometer,IC Socket,Relay,Connector.Our parts cover such applications as commercial,industrial, and automotives areas.

We are looking forward to setting up business relationship with you and hope to provide you with the best service and solution. Let us make a better world for our industry!



## Contact us

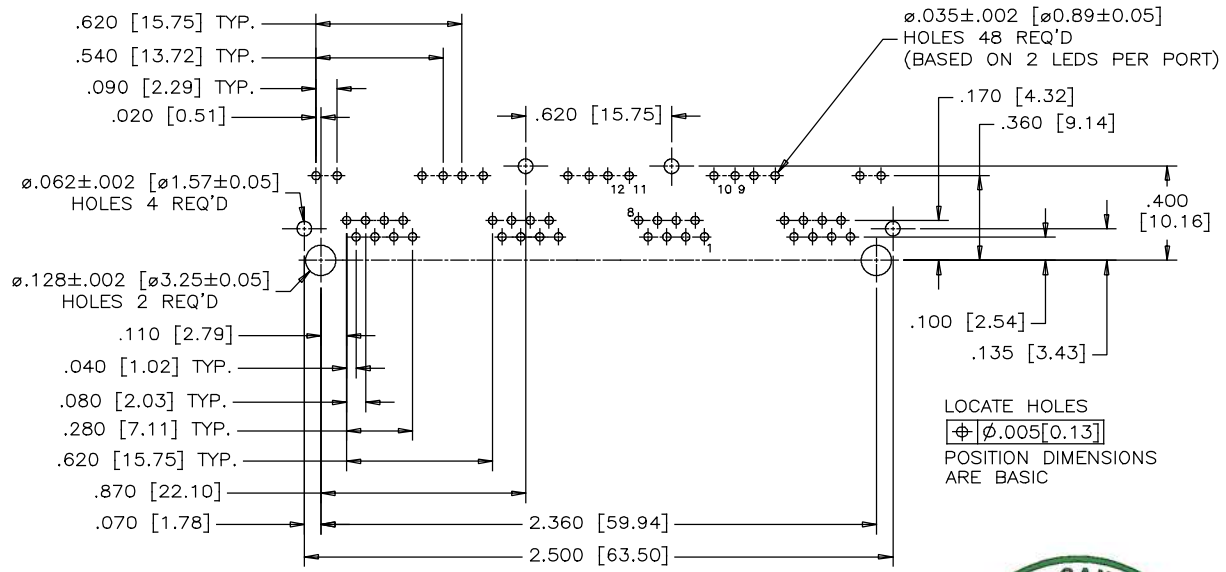
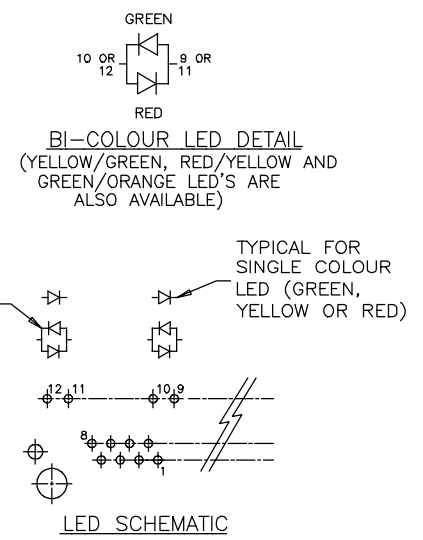
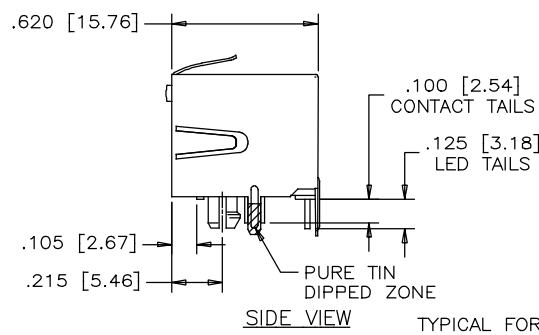
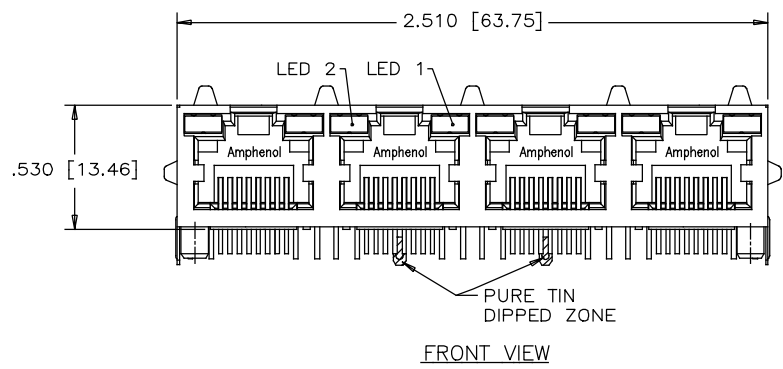
Tel: +86-755-8981 8866 Fax: +86-755-8427 6832

Email & Skype: info@chipsmall.com Web: www.chipsmall.com

Address: A1208, Overseas Decoration Building, #122 Zhenhua RD., Futian, Shenzhen, China



REVISIONS			
REV	DESCRIPTION, ECN, EAR NO.	DATE	APP'D
E	PROPOSAL	JUL 10/08	L.CHAN
F	PROPOSAL	NOV 02/10	L.CHAN
G	ADD DIMENSIONS TOLERANCE	AUG 09/16	L.CHAN



**MATERIALS:**

PLASTIC HOUSING: HIGH TEMPERATURE THERMOPLASTIC  
FLAMMABILITY RATING UL 94V-0

CONTACTS: PHOSPHOR BRONZE  
PLATING: 50  $\mu$ " [1.27 MICRONS]  
MIN. GOLD ON MATING SURFACES.  
50  $\mu$ " [1.27 MICRONS]  
MIN. NICKEL UNDERPLATE  
100  $\mu$ " [2.54 MICRONS]  
MIN. MATTE TIN ON CONTACT TAILS.

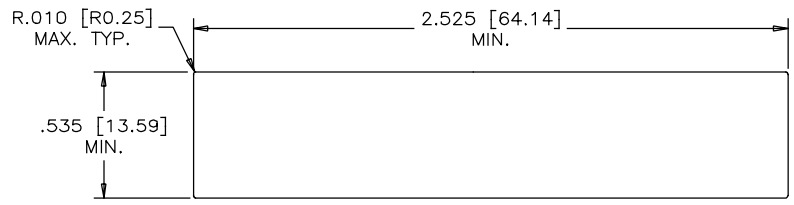
SHIELD: COPPER ALLOY  
PLATING: NICKEL WITH PURE-TIN DIPPED PCB TAILS.

RECOMMENDED SOLDERING TEMPERATURE:  
WAVE SOLDERING AT 260°C MAXIMUM FOR 5 SEC MAXIMUM.



PART NUMBER: RJHSE-538X-04

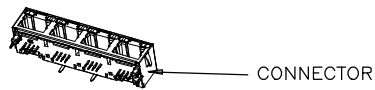
REFER TO LED OPTIONS DRAWING FOR ORDERING CODES



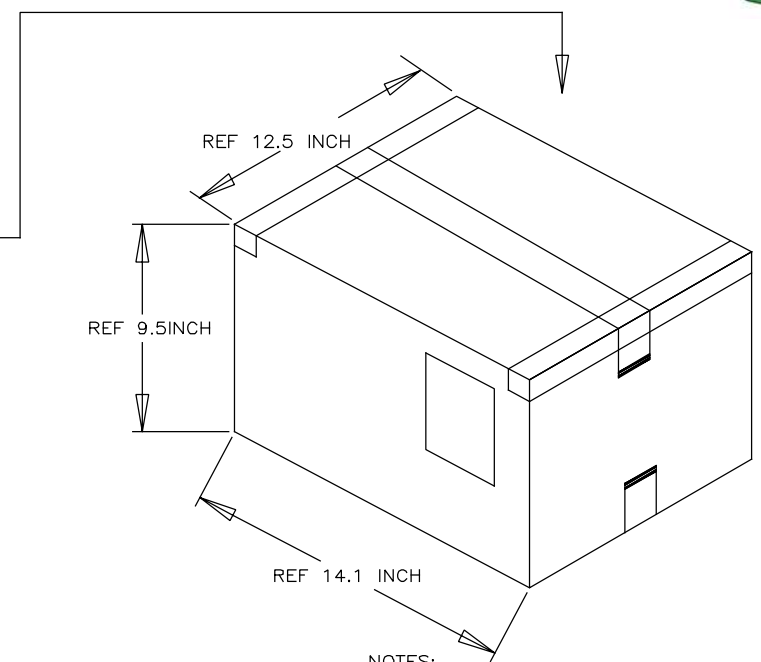
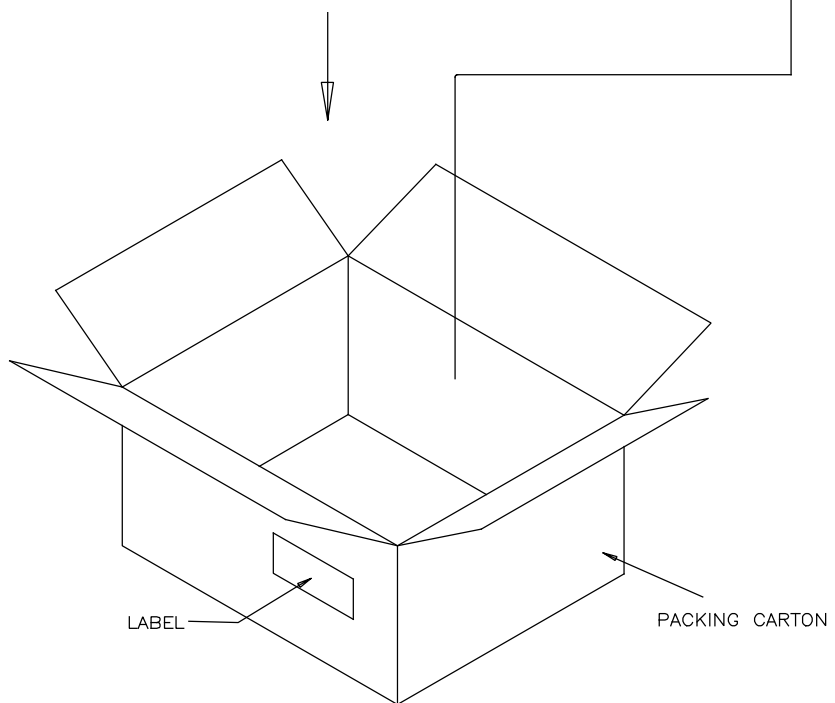
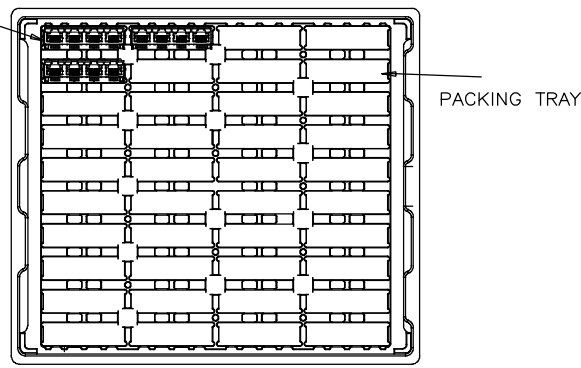
UNLESS SPECIFIED OTHERWISE	DRAWN P.WANG	DATE APR 14/06	Amphenol Canada Corp. www.amphenolcanada.com
PRIMARY UNITS INCH	CHECKED CHIGOW,X	DATE APR 14/06	
SECONDARY MILLIMETER	M.E. APP'D		TITLE 4 PORT, HIGH SPEED, MODULAR JACK, 8 POSITION, 8 CONTACTS, SHIELDED WITH LED'S - RoHS COMPLIANT
REFERENCE IN PARENTHESES	Q.A. APP'D		DWG. NO. P-RJHSE-538X-04
GENERAL TOLERANCES	DWG APPR.		REV G
1 DECIMAL PLACE $\pm 0.025$	ENG. REL. NO.		CODE ID NO. 03554 DWG SIZE: C SCALE: N/A SHEET 1 OF 2
2 DECIMAL PLACES $\pm 0.020$	REF.		
3 DECIMAL PLACES $\pm 0.015$	THIRD ANGLE PROJECTION	DO NOT SCALE DRAWING	
ANGULAR DEGREES $\pm 1.0^\circ$			

THIS DOCUMENT CONTAINS PROPRIETARY INFORMATION AND SUCH INFORMATION MAY NOT BE DISCLOSED TO OTHERS FOR ANY PURPOSE OR USED FOR MANUFACTURING PURPOSES WITHOUT WRITTEN PERMISSION FROM AMPHENOL CANADA CORP.

REVISIONS			
REV	DESCRIPTION, ECN, EAR NO.	DATE	APP'D
E	PROPOSAL	JUL 10/08	L.CHAN
F	PROPOSAL	NOV 02/10	L.CHAN
G	ADD DIMENSIONS TOLERANCE	AUG 09/16	L.CHAN



CONNECTOR PLACE SCHEMATIC



NOTES:  
 PACKAGING QUANTITY:  
 1. 40PCS / TRAY  
 2. 12 TRAYS / CARTON  
 480 PCS CONNECTORS / CARTON

UNLESS SPECIFIED OTHERWISE	DRAWN P.WANG	DATE APR 14/06
PRIMARY UNITS INCH	CHECKED CHIGOW,X	APR 14/06
SECONDARY MILLIMETER	M.E. APP'D	
REFERENCE IN PARENTHESES	Q.A. APP'D	
GENERAL TOLERANCES	DWG APPR.	
1 DECIMAL PLACE ±0.025	ENG. REL. NO.	
2 DECIMAL PLACES ±0.020	REF.	
3 DECIMAL PLACES ±0.015	THIRD ANGLE PROJECTION	DO NOT SCALE DRAWING
ANGULAR DEGREES ±1.0°		

Amphenol Canada Corp. www.amphenolcanada.com	
TITLE	4 PORT, HIGH SPEED, MODULAR JACK, 8 POSITION, 8 CONTACTS, SHIELDED WITH LED'S - RoHS COMPLIANT
DWG. NO.	P-RJHSE-538X-04
CODE ID NO. 03554	DWG SIZE: c   SCALE: N/A   SHEET 2 OF 2

THIS DOCUMENT CONTAINS PROPRIETARY INFORMATION AND SUCH INFORMATION MAY NOT BE DISCLOSED TO OTHERS FOR ANY PURPOSE OR USED FOR MANUFACTURING PURPOSES WITHOUT WRITTEN PERMISSION FROM AMPHENOL CANADA CORP.