



Chipsmall Limited consists of a professional team with an average of over 10 year of expertise in the distribution of electronic components. Based in Hongkong, we have already established firm and mutual-benefit business relationships with customers from,Europe,America and south Asia,supplying obsolete and hard-to-find components to meet their specific needs.

With the principle of “Quality Parts,Customers Priority,Honest Operation,and Considerate Service”,our business mainly focus on the distribution of electronic components. Line cards we deal with include Microchip,ALPS,ROHM,Xilinx,Pulse,ON,Everlight and Freescale. Main products comprise IC,Modules,Potentiometer,IC Socket,Relay,Connector.Our parts cover such applications as commercial,industrial, and automotives areas.

We are looking forward to setting up business relationship with you and hope to provide you with the best service and solution. Let us make a better world for our industry!



## Contact us

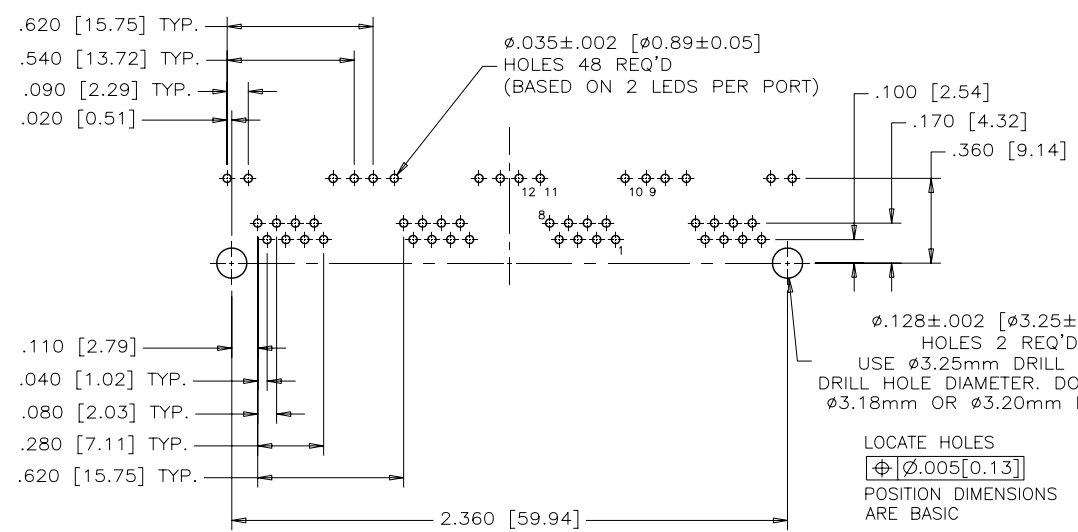
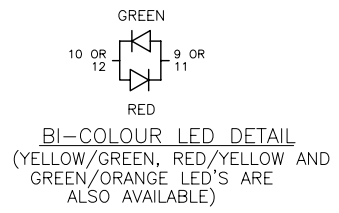
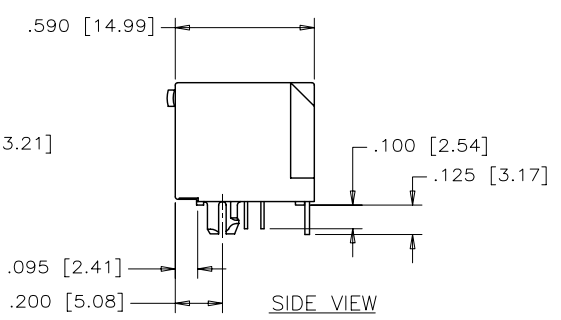
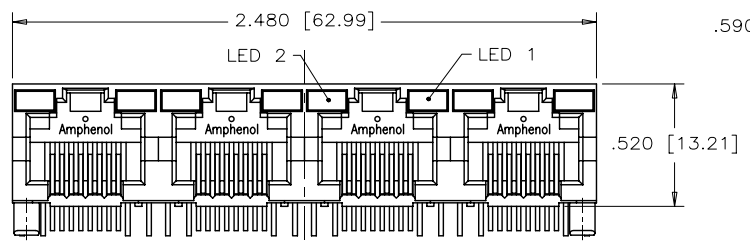
Tel: +86-755-8981 8866 Fax: +86-755-8427 6832

Email & Skype: info@chipsmall.com Web: www.chipsmall.com

Address: A1208, Overseas Decoration Building, #122 Zhenhua RD., Futian, Shenzhen, China



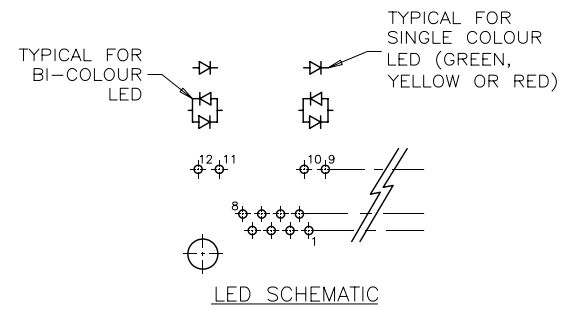
REVISIONS				
SYM	ZONE	ECN, ERN NO.	DATE	APPRD.
A		PROPOSAL	05/12/05	L.CHAN
B		PROPOSAL	APR07/06	L.CHAN
C		PROPOSAL	JULY 10,08	L.CHAN



RECOMMENDED P.C.B. LAYOUT  
(COMPONENT SIDE OF BOARD)

$\phi .128 \pm .002$  [ $\phi 3.25 \pm 0.05$ ]  
HOLES 2 REQ'D  
USE  $\phi 3.25$ mm DRILL BIT TO  
DRILL HOLE DIAMETER. DO NOT USE  
 $\phi 3.18$ mm OR  $\phi 3.20$ mm DRILL BIT.

LOCATE HOLES  
 $\phi .005$  [0.13]  
POSITION DIMENSIONS  
ARE BASIC

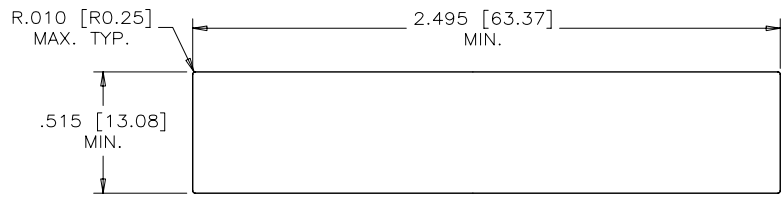


LED SCHEMATIC

**MATERIALS:**  
HOUSING: HIGH TEMPERATURE THERMOPLASTIC  
FLAMMABILITY RATING UL 94V-0  
COLOR: BLACK

**CONTACTS:** PHOSPHOR BRONZE  
PLATING: 50  $\mu$ " [1.27 MICRONS]  
MIN. GOLD ON MATING SURFACES.  
50  $\mu$ " [1.27 MICRONS]  
MIN. NICKEL UNDERPLATE  
100  $\mu$ " [2.54 MICRONS]  
MIN. MATTE TIN ON CONTACT TAILS.

RECOMMENDED SOLDERING TEMPERATURE:  
WAVE SOLDERING AT 260°C MAXIMUM FOR  
5 SEC MAXIMUM.



RECOMMENDED PANEL CUTOUT



PART NUMBER: RJHSE-508X-04

REFER TO LED OPTIONS DRAWING  
FOR ORDERING CODES

THIS DOCUMENT CONTAINS PROPRIETARY INFORMATION AND SUCH INFORMATION  
MAY NOT BE DISCLOSED TO OTHERS FOR ANY PURPOSE OR USED FOR MANUFACTURING  
PURPOSES WITHOUT WRITTEN PERMISSION FROM AMPHENOL CANADA CORP.

DRAWN PAULW	DATE 05/12/05	Amphenol Canada Corp.		
DESIGNED				
CHECKED CHIGOW	DATE 05/12/05	TITLE		
I. E. APPRD.		4 PORT, HIGH SPEED, MODULAR JACK, 8 POSITION, 8 CONTACTS, UNSHIELDED WITH LED OPTIONS - RoHS COMPLIANT		
Q. A. APPRD.		DWG. DRAWING NO.		
DWG. APPRD.		P-RJHSE-508X-04		
ENG. REL. NO.		DWG	DRAWING NO.	REV.
REF.				C
DIMENSIONS ARE IN INCHES [mm]	CODE ID. NO. 03554	SCALE	WT. -----	SURF. -----
				SHEET 1 OF 1