



Chipsmall Limited consists of a professional team with an average of over 10 year of expertise in the distribution of electronic components. Based in Hongkong, we have already established firm and mutual-benefit business relationships with customers from,Europe,America and south Asia,supplying obsolete and hard-to-find components to meet their specific needs.

With the principle of “Quality Parts,Customers Priority,Honest Operation,and Considerate Service”,our business mainly focus on the distribution of electronic components. Line cards we deal with include Microchip,ALPS,ROHM,Xilinx,Pulse,ON,Everlight and Freescale. Main products comprise IC,Modules,Potentiometer,IC Socket,Relay,Connector.Our parts cover such applications as commercial,industrial, and automotives areas.

We are looking forward to setting up business relationship with you and hope to provide you with the best service and solution. Let us make a better world for our industry!



Contact us

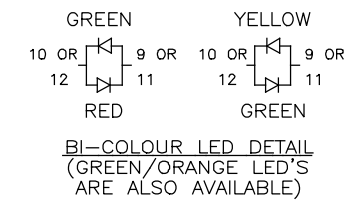
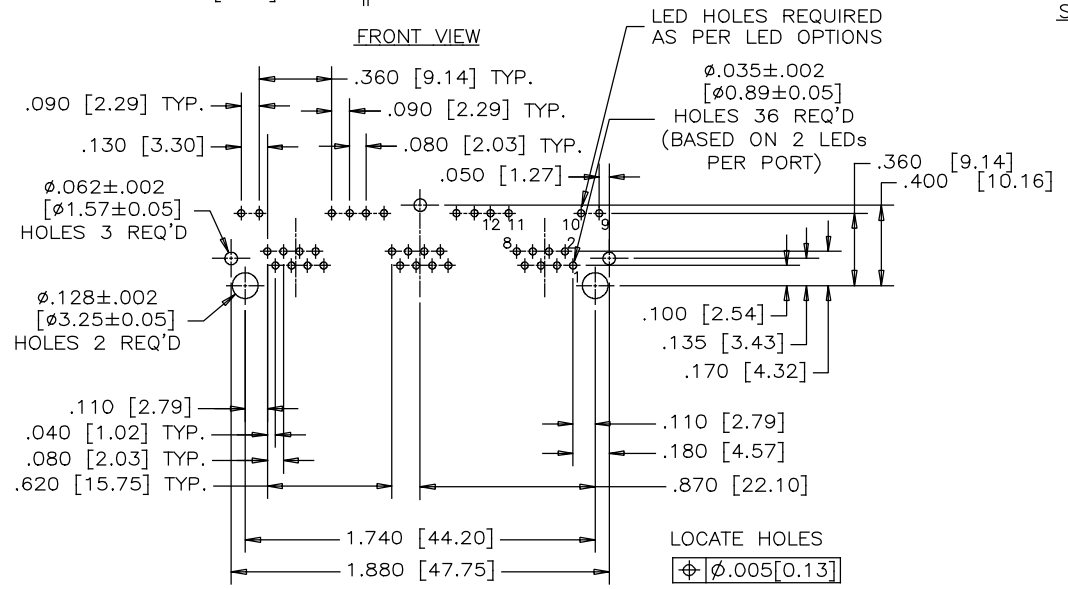
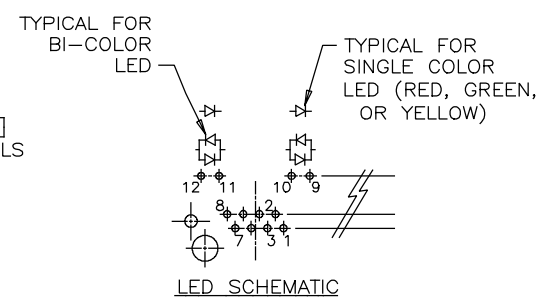
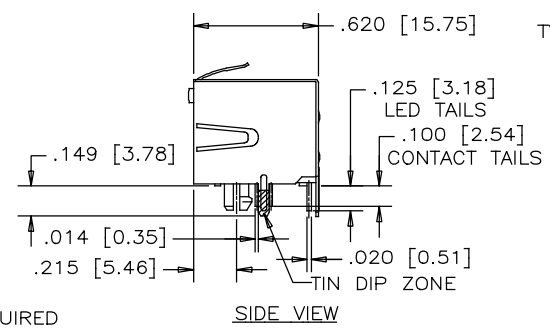
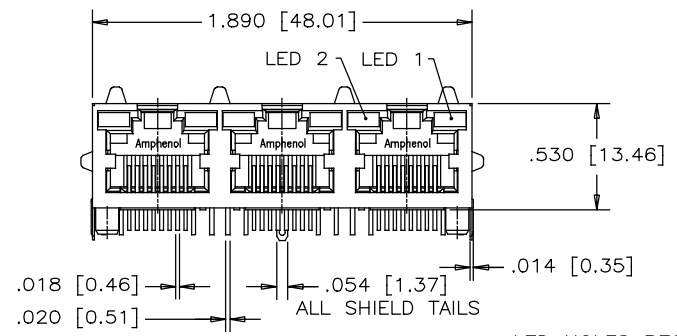
Tel: +86-755-8981 8866 Fax: +86-755-8427 6832

Email & Skype: info@chipsmall.com Web: www.chipsmall.com

Address: A1208, Overseas Decoration Building, #122 Zhenhua RD., Futian, Shenzhen, China



REVISIONS			
REV	DESCRIPTION, ECN, EAR NO.	DATE	APP'D
A	PROPOSAL	JAN19/05	K.L.
B	ADD DIMENSIONS	JUN23/14	L.CHAN
C	ADD DIMENSIONS OF LAYOUT	OCT21/14	L.CHAN



MATERIALS:

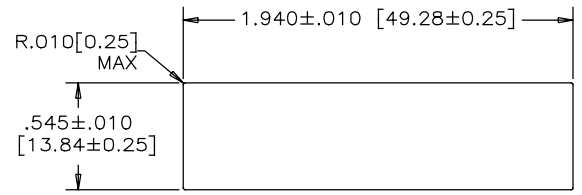
PLASTIC HOUSING: HIGH TEMPERATURE ENGINEERING THERMOPLASTIC
FLAMMABILITY RATING UL 94V-0, BLACK

CONTACTS: PHOSPHOR BRONZE
PLATING: 50 μ " [1.27 MICRONS] MIN.
GOLD ON MATING SURFACES.
50 μ " [1.27 MICRONS] MIN.
NICKEL UNDERPLATE
100 μ " [2.54 MICRONS] MIN.
MATTE TIN ON CONTACT TAILS.

SHIELD: COPPER ALLOY
PLATING: NICKEL

PART NUMBER: RJHSE-538X-03

REFER TO LED OPTIONS DRAWING FOR ORDERING CODES



UNLESS SPECIFIED OTHERWISE	DRAWN <i>Frank W</i> JUN 23/14	Amphenol Canada Corp. www.amphenolcanada.com
PRIMARY UNITS INCH	CHECKED <i>Lawrence C</i> JUN 23/14	
SECONDARY MILLIMETERS	M.E. APP'D	TITLE
REFERENCE IN PARENTHESES	Q.A. APP'D	RJHSE SERIES, THREE PORT MODULAR JACK, 8 POSITIONS & 8 CONTACTS PER PORT, SHIELDED, WITH LED'S - RoHS COMPLIANT
GENERAL TOLERANCES	DWG APPR.	DWG. NO.
1 DECIMAL PLACE ± 0.025	ENG. REL. NO.	P-RJHSE-538X-03
2 DECIMAL PLACES ± 0.020	REF.	REV C
3 DECIMAL PLACES ± 0.015	THIRD ANGLE PROJECTION	DO NOT SCALE DRAWING
ANGULAR DEGREES $\pm 1.0^\circ$		CODE ID NO. 03554 DWG SIZE: C SCALE: N/A SHEET 1 OF 1