



Chipsmall Limited consists of a professional team with an average of over 10 year of expertise in the distribution of electronic components. Based in Hongkong, we have already established firm and mutual-benefit business relationships with customers from,Europe,America and south Asia,supplying obsolete and hard-to-find components to meet their specific needs.

With the principle of “Quality Parts,Customers Priority,Honest Operation,and Considerate Service”,our business mainly focus on the distribution of electronic components. Line cards we deal with include Microchip,ALPS,ROHM,Xilinx,Pulse,ON,Everlight and Freescale. Main products comprise IC,Modules,Potentiometer,IC Socket,Relay,Connector.Our parts cover such applications as commercial,industrial, and automotives areas.

We are looking forward to setting up business relationship with you and hope to provide you with the best service and solution. Let us make a better world for our industry!



Contact us

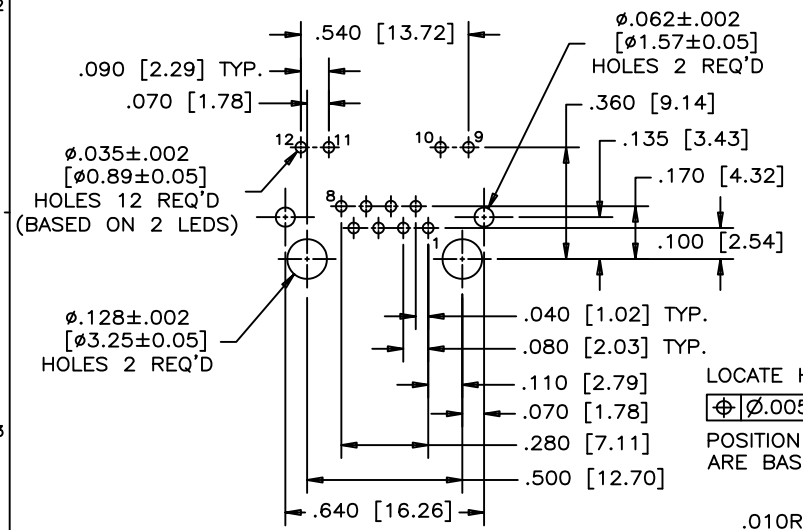
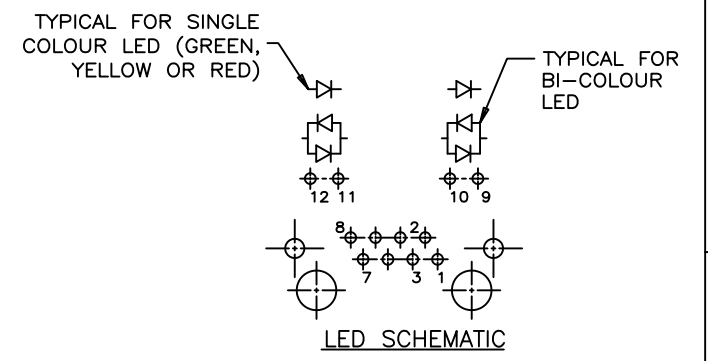
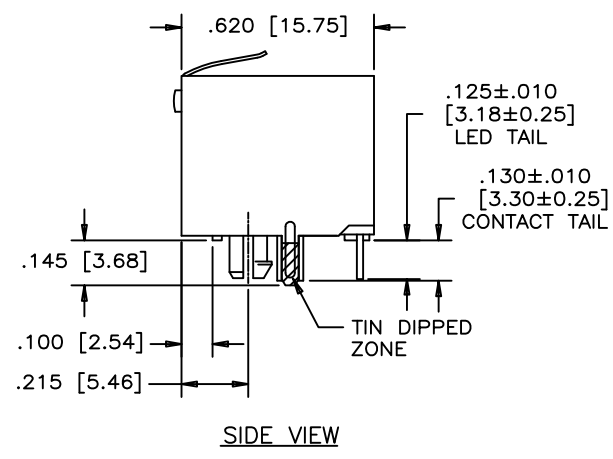
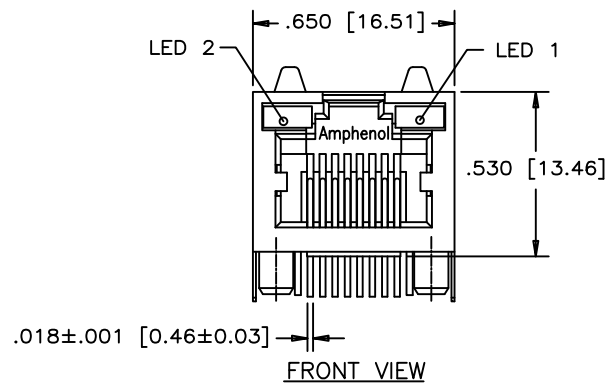
Tel: +86-755-8981 8866 Fax: +86-755-8427 6832

Email & Skype: info@chipsmall.com Web: www.chipsmall.com

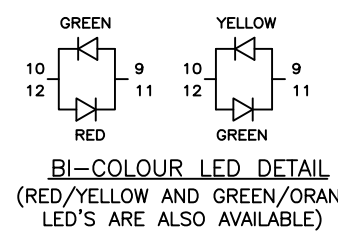
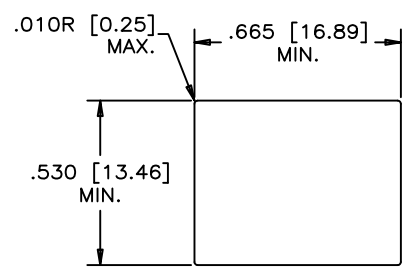
Address: A1208, Overseas Decoration Building, #122 Zhenhua RD., Futian, Shenzhen, China



REVISIONS				
SYM	ZONE	ECN, ERN NO.	DATE	APPRD.
B		PROPOSAL	12/29/2005	LCHAN
C		PROPOSAL	02/21/2012	LCHAN



LOCATE HOLES
 $\text{⌀} \text{ } \text{⌀} .005 \text{ } [0.13]$
 POSITION DIMENSIONS ARE BASIC



MATERIALS:
 PLASTIC HOUSING: HIGH ENGINEERING THERMOPLASTIC
 FLAMMABILITY RATING UL 94V-0
 CONTACTS: PHOSPHOR BRONZE
 PLATING: 50 μ" [1.27 MICRONS]
 MIN. GOLD ON MATING SURFACES.
 50 μ" [1.27 MICRONS]
 MIN. NICKEL UNDERPLATE
 100 μ" [2.54 MICRONS]
 MIN. MATTE TIN ON CONTACT TAILS.
 SHIELD: STAINLESS STEEL WITH TIN DIP ON SOLDER TAIL

AMPHENOL PART NUMBER: RJHSE-538X-A1X
 REFER TO LED OPTIONS DRAWING FOR ORDERING CODES

THIS DOCUMENT CONTAINS PROPRIETARY INFORMATION AND SUCH INFORMATION MAY NOT BE DISCLOSED TO OTHERS FOR ANY PURPOSE OR USED FOR MANUFACTURING PURPOSES WITHOUT WRITTEN PERMISSION FROM AMPHENOL CANADA CORP.

DRAWN PAULW	DATE 05/12/29	Amphenol Canada Corp.					
DESIGNED							
CHECKED CHIGOW	DATE 05/12/29	TITLE SINGLE PORT HIGH SPEED MODULAR JACK CONNECTOR, SHIELDED WITH LED'S .130" LONG CONTACT TAILS-RoHS COMPLIANT					
I. E. APPRD.		DWG	DRAWING NO.	REV.			
Q. A. APPRD.			P-RJHSE-538X-A1X	C			
DWG. APPRD.		DIMENSIONS ARE IN INCHES [mm]	CODE ID. NO. 03554	SCALE	WT.	SURF.	SHEET 1 OF 1