



Chipsmall Limited consists of a professional team with an average of over 10 year of expertise in the distribution of electronic components. Based in Hongkong, we have already established firm and mutual-benefit business relationships with customers from,Europe,America and south Asia,supplying obsolete and hard-to-find components to meet their specific needs.

With the principle of “Quality Parts,Customers Priority,Honest Operation,and Considerate Service”,our business mainly focus on the distribution of electronic components. Line cards we deal with include Microchip,ALPS,ROHM,Xilinx,Pulse,ON,Everlight and Freescale. Main products comprise IC,Modules,Potentiometer,IC Socket,Relay,Connector.Our parts cover such applications as commercial,industrial, and automotives areas.

We are looking forward to setting up business relationship with you and hope to provide you with the best service and solution. Let us make a better world for our industry!



Contact us

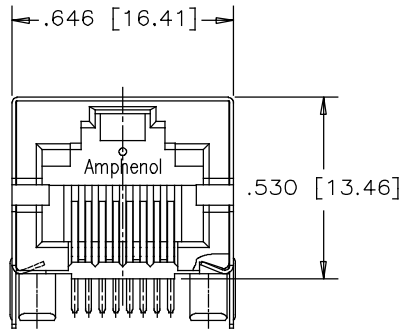
Tel: +86-755-8981 8866 Fax: +86-755-8427 6832

Email & Skype: info@chipsmall.com Web: www.chipsmall.com

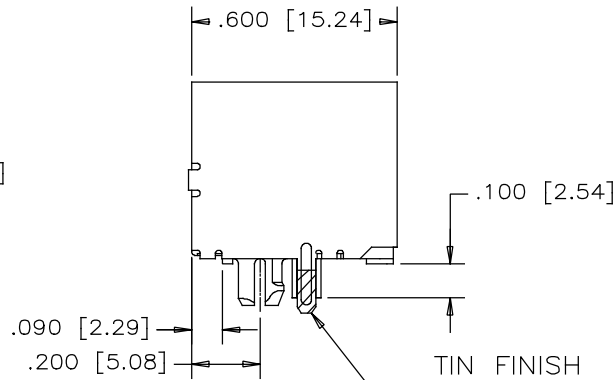
Address: A1208, Overseas Decoration Building, #122 Zhenhua RD., Futian, Shenzhen, China



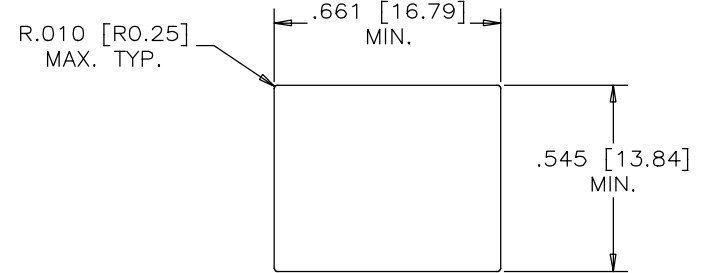
REVISIONS			
REV	DESCRIPTION, ECN, EAR NO.	DATE	APP'D
A	PROPOSAL	MAR08/18	L.CHAN



FRONT VIEW



SIDE VIEW



RECOMMENDED PANEL CUTOUT

MATERIALS:

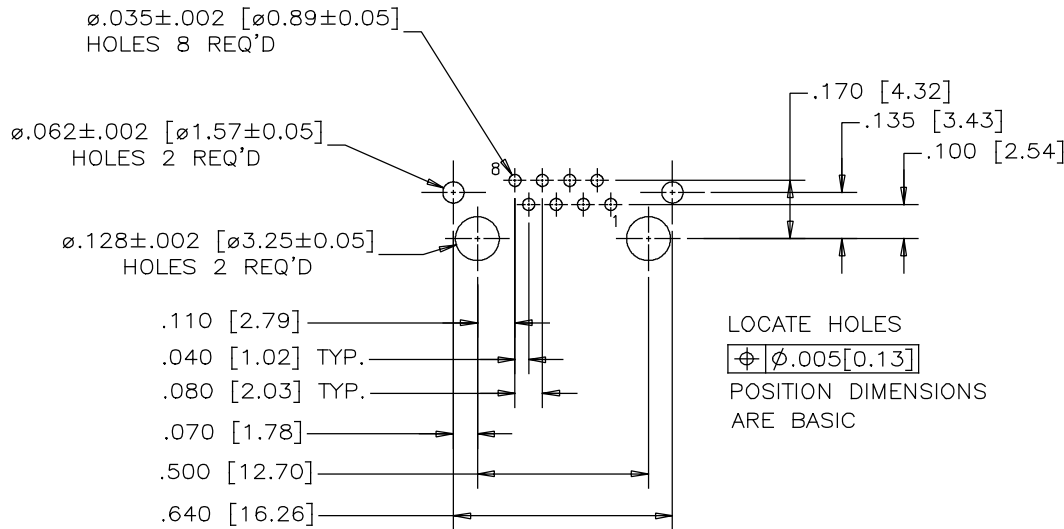
PLASTIC HOUSING: HIGH TEMPERATURE THERMOPLASTIC
FLAMMABILITY RATING UL 94V-0

CONTACTS:

PHOSPHOR BRONZE
PLATING: GOLD PLATING ON MATING SURFACE.
[SEE PART NUMBER FOR THICKNESS]
50 μ" [1.27 MICRONS]
MIN. NICKEL UNDERPLATE
100 μ" [2.54 MICRONS]
MIN. MATTE TIN ON CONTACT TAILS.

SHIELD:

STAINLESS STEEL WITH TIN FINISH ON SOLDER TAIL



RECOMMENDED P.C.B. LAYOUT
(COMPONENT SIDE OF BOARD)

PART NUMBER: RJHSE-XE80

GOLD PLATING
E=RJ45 FLAT CONTACT 6u"
G=RJ45 FLAT CONTACT 15u"
J=RJ45 FLAT CONTACT 30u"
5=RJ45 FLAT CONTACT 50u"



UNLESS SPECIFIED OTHERWISE	DRAWN W. QIU	DATE MAR08/18
PRIMARY UNITS INCH	CHECKED L. CHAN	MAR08/18
SECONDARY MILLIMETER	M.E. APP'D	
REFERENCE IN PARENTHESES	Q.A. APP'D	
GENERAL TOLERANCES	DWG APPR.	
1 DECIMAL PLACE ±0.025	ENG. REL. NO.	
2 DECIMAL PLACES ±0.020	REF.	
3 DECIMAL PLACES ±0.015	THIRD ANGLE PROJECTION	DO NOT SCALE DRAWING
ANGULAR DEGREES ±1.0°		

Amphenol Canada Corp. www.amphenolcanada.com		
TITLE HIGH SPEED RJ45 SINGLE-PORT CONNECTOR, WITHOUT LED, SHIELD (OPEN FRONT, WITHOUT TABS) - RoHS COMPLIANT		
DWG. NO.	P-RJHSE-XE80	REV A
CODE ID NO. 03554	DWG SIZE: C	SCALE: N/A
SHEET 1 OF 1		