



Chipsmall Limited consists of a professional team with an average of over 10 year of expertise in the distribution of electronic components. Based in Hongkong, we have already established firm and mutual-benefit business relationships with customers from,Europe,America and south Asia,supplying obsolete and hard-to-find components to meet their specific needs.

With the principle of "Quality Parts,Customers Priority,Honest Operation,and Considerate Service",our business mainly focus on the distribution of electronic components. Line cards we deal with include Microchip,ALPS,ROHM,Xilinx,Pulse,ON,Everlight and Freescale. Main products comprise IC,Modules,Potentiometer,IC Socket,Relay,Connector.Our parts cover such applications as commercial,industrial, and automotives areas.

We are looking forward to setting up business relationship with you and hope to provide you with the best service and solution. Let us make a better world for our industry!



Contact us

Tel: +86-755-8981 8866 Fax: +86-755-8427 6832

Email & Skype: info@chipsmall.com Web: www.chipsmall.com

Address: A1208, Overseas Decoration Building, #122 Zhenhua RD., Futian, Shenzhen, China



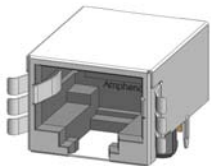
Now you're connected!

About Amphenol Commercial Products

Amphenol's commercial connector products are used in a variety of end user applications including networking, telecom, server & computer, storage & HDD, consumer electronics and entertainment, professional audio & Industrial & Military/Aerospace.

Related Products

RJULE

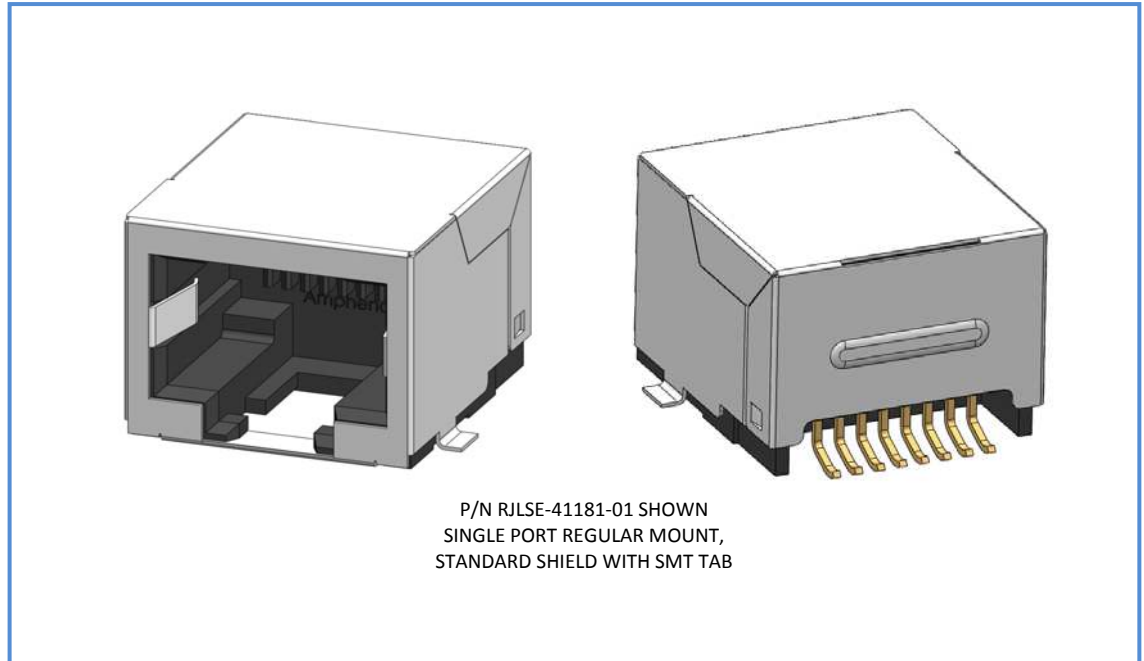


P/N RJULE-4X182-01 SHOWN
SINGLE PORT REGULAR MOUNT,
STANDARD SHIELD WITH SMT

RJSAE



P/N RJSAE-5385-02 SHOWN
STACKED 2x1, 8 POSITION,
WITH SHIELD AND LEDs



P/N RJLSE-41181-01 SHOWN
SINGLE PORT REGULAR MOUNT,
STANDARD SHIELD WITH SMT TAB

Overview

This product specification defines the general use and performance parameters for Amphenol's RJLSE surface mounted type modular jacks.

Availability: Single port, right angle connectors with a variety of shielding options.

Usage

The RJLSE surface mounted type modular jacks with superior EMI performance supports Ethernet Protocols. Shielding available for increased EMI performance.

Applications

Intended for use in applications such as:

- | | |
|---|---|
| <p>Networking & Telecom</p> <ul style="list-style-type: none"> ■ Wireless (WiMAX) ■ Network servers ■ Hubs, routers, switches <p>Office & Home Equipment</p> <ul style="list-style-type: none"> ■ PC's, Laptops, Copiers/Printers ■ Telephones, modems ■ Surge Protectors ■ ATMs, Vending Machines | <p>Consumer Goods</p> <ul style="list-style-type: none"> ■ Security Systems ■ Set Top Boxes ■ Video Game Systems <p>Miscellaneous</p> <ul style="list-style-type: none"> ■ Multi-Media Equipment ■ Industrial Equipment ■ POS Terminals |
|---|---|

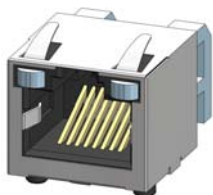
Now you're connected!

About Amphenol Commercial Products

Amphenol's commercial connector products are used in a variety of end user applications including networking, telecom, server & computer, storage & HDD, consumer electronics and entertainment, professional audio & Industrial & Military/Aerospace.

Related Products

RJSSE

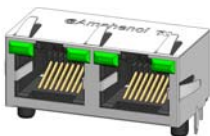


P/N RJSE-5381 SHOWN
SINGLE PORT, 8 POSITION,
WITH SHIELD AND LIGHT PIPE

RJHSE



P/N RJHSE-3081 SHOWN
SINGLE PORT VERTICAL MOUNT,
NO SHIELD, WITH LEDs



P/N RJHSE-5385-02 SHOWN
TWO PORT REGULAR MOUNT,
WITH SHIELD AND LEDs

Electrical Characteristics

Contact resistance:	20 mΩ max.
Insulation resistance:	500 MΩ minimum at 500V DC for 2 minutes max.
Current rating:	1.5 Amps
Voltage rating:	125 Volts AC
DWV	1000 VAC, 60 Hz. 1 min.

Mechanical Characteristics

Mating connector insertion force: 5.0 lbs. Maximum.
Mating connector pull retention force: 20 lbs Minimum.
Durability: 750 mating & unmating cycles.
Suitable for IR Reflow

Operating temperature: -55° C to +85° C

Material Requirements

RJLSE connectors are RoHS compliant.
Unless otherwise specified, the materials for each component shall be:

Housing:

- High temperature engineering thermoplastic, flammability rating UL 94V-0
- Available in black, yellow and red
- RoHS compliant

Contacts:

- Phosphor Bronze

Plating:

- Gold plated on mating surfaces over 50μ" (1.27 microns) min. nickel underplate.
- 100μ" (2.54 microns) min. matte tin on contact tails.

Shield:

- Copper alloy; Nickel or matte tin plated

Coplanarity:

- The maximum gap between all terminal tails is .004"(0.10mm).

Available Documents

Drawing Numbers:

P-RJLSE-4X1XX-02	8 Position, Contact options, with shield, gold plating and housing options
P-RJLSE-4X2XX-01	8 Position, Contact options, without shield, with hold down bracket and tray packaging
P-RJLSE-6X0XX-01X	6 Position, Contact options, without shield, with gold plating and packaging options

Contact factory or Authorized Amphenol representative for additional configurations