



Chipsmall Limited consists of a professional team with an average of over 10 year of expertise in the distribution of electronic components. Based in Hongkong, we have already established firm and mutual-benefit business relationships with customers from,Europe,America and south Asia,supplying obsolete and hard-to-find components to meet their specific needs.

With the principle of "Quality Parts,Customers Priority,Honest Operation,and Considerate Service",our business mainly focus on the distribution of electronic components. Line cards we deal with include Microchip,ALPS,ROHM,Xilinx,Pulse,ON,Everlight and Freescale. Main products comprise IC,Modules,Potentiometer,IC Socket,Relay,Connector.Our parts cover such applications as commercial,industrial, and automotives areas.

We are looking forward to setting up business relationship with you and hope to provide you with the best service and solution. Let us make a better world for our industry!



Contact us

Tel: +86-755-8981 8866 Fax: +86-755-8427 6832

Email & Skype: info@chipsmall.com Web: www.chipsmall.com

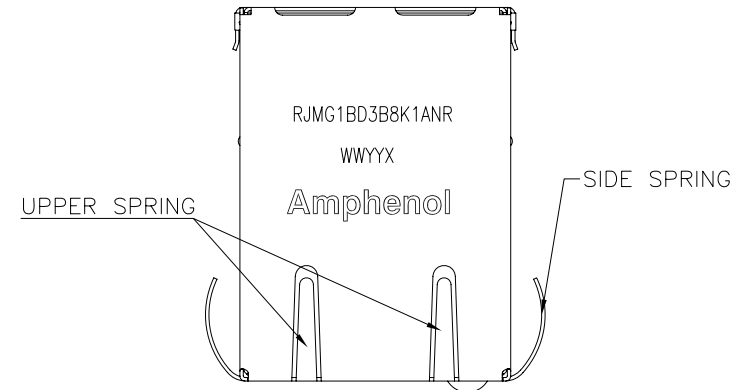
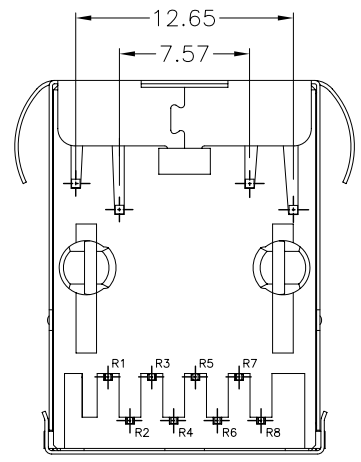
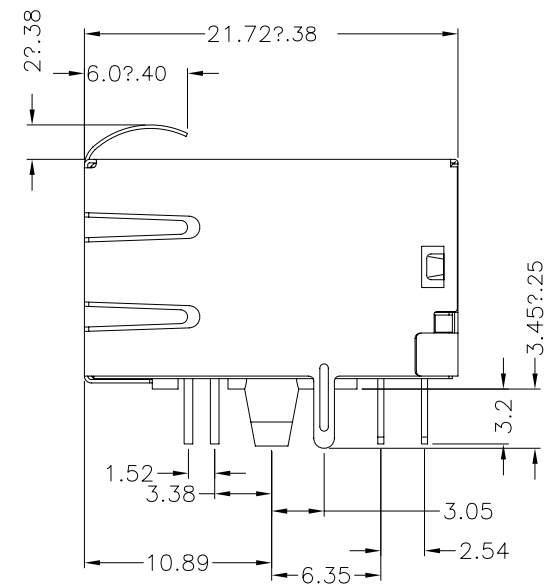
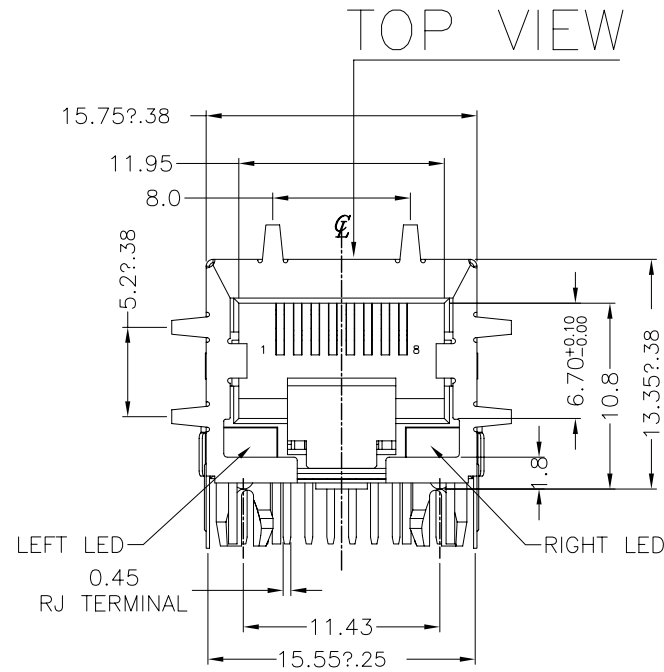
Address: A1208, Overseas Decoration Building, #122 Zhenhua RD., Futian, Shenzhen, China



This document is the property of Amphenol Corporation and is delivered on the express condition that it is not to be disclosed, reproduced or used, in whole or in part, for manufacture or sale by anyone other than Amphenol Corporation without its prior consent, and that no right is granted to disclose or to use any information in this document.

CUSTOMER DRAWING ORIGINAL

REVISIONS				
SYM	ECN No.	DESCRIPTION	DATE	APPROVED
A		FIRST EDITION RELEASED	Aug.07.07	Greg L



TOLERANCE	m/m	APPROVALS	DATE	TITLE	Amphenol® Amphenol Corporation Amphenol Taiwan Corporation		
x.	±0.30	DRAWN Stone Lee	Aug.07.07	RJM1B SERIES 10/100 BASE-T SINGLE PORT WITH FILTER & LED OPTION	SCALE	N.A.	SHEET 1 OF 3
x.x	±0.25	CHECKED Jason Zhan	Aug.07.07		DRAWING NO.	RJM1BD3B8K1ANR	REV. A
x.xx	±0.13	APPROVED Greg L	Aug.07.07		DRAWING NO.	RJM1BD3B8K1ANR	REV. A
x.xxx	±0.08						
ANGULAR	±1°						
UNLESS OTHERWISE SPECIFIED				UNIT MM	SIZE A3	PART NO. RJM1BD3B8K1ANR	DRAWING NO. RJM1BD3B8K1ANR

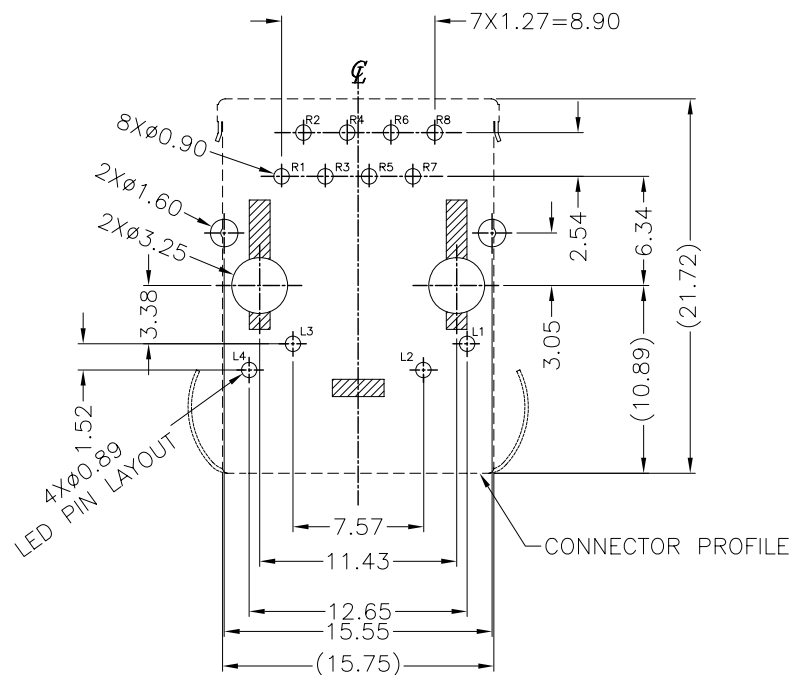
This document is the property of Amphenol Corporation and is delivered on the express condition that it is not to be disclosed, reproduced or used, in whole or in part, for manufacture or sale by anyone other than Amphenol Corporation without its prior consent, and that no right is granted to disclose or to use any information in this document.



CUSTOMER DRAWING ORIGINAL

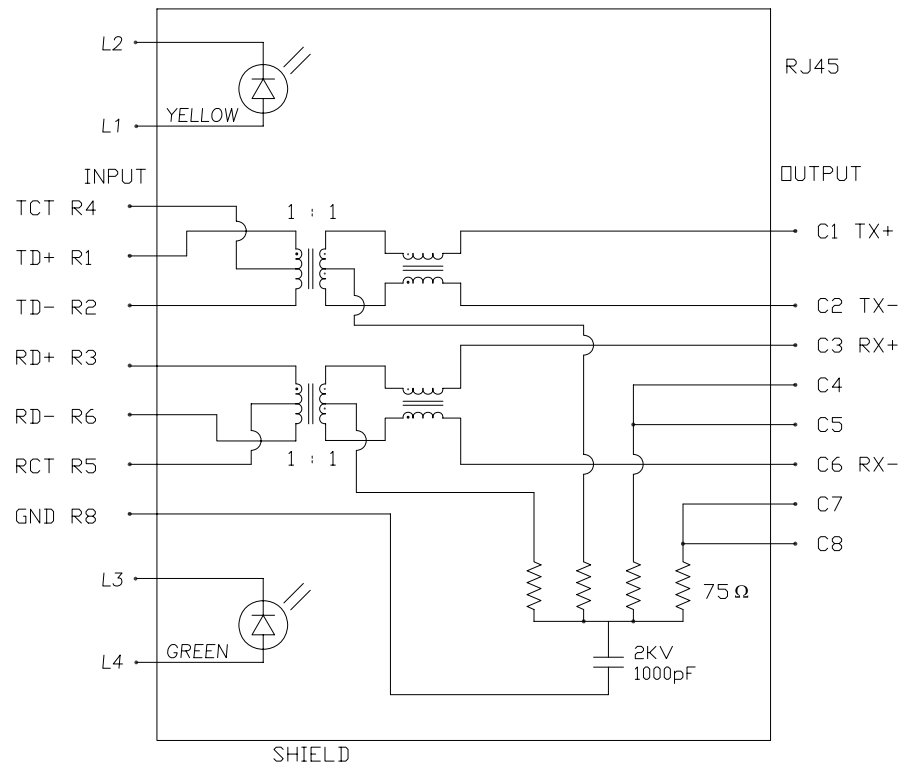


REVISIONS				
SYM	ECN No.	DESCRIPTION	DATE	APPROVED
A		FIRST EDITION RELEASED	Aug.07.07	Greg L



RECOMMENDED PCB LAYOUT
COMPONENT SIDE

ALL DIMENSION TOLERANCE ARE ±.05mm
UNLESS OTHERWISE SPECIFIED



TOLERANCE m/m	APPROVALS	DATE	TITLE		Amphenol®	
x. ±0.30	DRAWN Stone Lee	Aug.07.07	RJMG1B SERIES 10/100 BASE-T SINGLE PORT WITH FILTER & LED OPTION		Amphenol Corporation Amphenol Taiwan Corporation	
x.x ±0.25						
x.xx ±0.13	CHECKED Jason Zhan	Aug.07.07				
x.xxx ±0.08	APPROVED Greg L	Aug.07.07	SCALE N.A.	SHEET 2 OF 3		
ANGULAR ±1°			SIZE A3	PART NO. RJMG1BD3B8K1ANR	DRAWING NO. RJMG1BD3B8K1ANR	REV. A
UNLESS OTHERWISE SPECIFIED			UNIT MM			

This document is the property of Amphenol Corporation and is delivered on the express condition that it is not to be disclosed, reproduced or used, in whole or in part, for manufacture or sale by anyone other than Amphenol Corporation without its prior consent, and that no right is granted to disclose or to use any information in this document.



CUSTOMER DRAWING
ORIGINAL



REVISIONS				
SYM	ECN No.	DESCRIPTION	DATE	APPROVED
A		FIRST EDITION RELEASED	Aug.07.07	Greg L

MATERIALS:

1.Terminal Parts:

1.1.RJ Output Terminal :Phosphor Bronze,Thickness=0.30mm
Finish:Gold Flash on contact area,
100u" min. tin on solder tail area,
underplating 50~100u" Nickel over all.

1.2.RJ input Terminal :Brass,Thickness=0.35mm
Finish:100u" min. tin over 50~100u" Nickel.

1.3.Link Terminal :Brass,Thickness=0.25mm
Finish:100u" min. tin over 50~100u" Nickel.

2.Plastic Parts:

2.1.Housing : Thermoplastic,PA,Black,
UL FILE No. : E47960
Grade : TE250F6
Flame Class : UL94 V-0

2.2.Coil Case : Thermoplastic,PA,Black,
UL FILE No. : E47960
Grade : TE250F6
Flame Class : UL94 V-0

3.Shell Parts:

3.1.Front Shell : Stainless,Thickness=0.20mm,
3.2.Back Shell : Stainless,Thickness=0.20mm,
Grounding Leg : Pre-soldering.

OTHERS:

1.Operating Temperature : 0°C TO +70°C

2.Storage Temperature : -40°C TO +85°C

3.JACK CAVITY CONFORMS TO FCC RULES AND REGULATIONS PART 68 , SUBPART F

ELECTRICAL SPECIFICATION(@25° C)
CONNECTOR PERFORMANCE

PARAMETER	LIMITS (MAX. OR MIN.)	FREQUENCY RANGE/ TEST CONDITIONS
INSERTION LOSS (RX/TX)	-1.0dB MAX.	1-100 MHz
RETURN LOSS (RX/TX)	-18dB MIN. -16dB MIN. -12dB MIN.	1-30 MHz 30-60 MHz 60-80 MHz
CM-CM REJECTION	-30dB MIN.	1-100 MHz
CROSSTALK ISOLATION (RX/TX)	-30dB MIN.	1-100 MHz
HIPOT (ISOLATION)	1.5kVrms MIN.	60S
OCL	350uH MIN.	100KHz 100mV 8mA
TURN RATIO	1:1±5%	

TOLERANCE m/m	APPROVALS	DATE	TITLE		Amphenol® Amphenol Corporation Amphenol Taiwan Corporation		
x. ±0.30	DRAWN Stone Lee	Aug.07.07	RJM1B SERIES 10/100 BASE-T SINGLE PORT WITH FILTER & LED OPTION		SCALE N.A. SHEET 3 OF 3		
x.x ±0.25	CHECKED Jason Zhan	Aug.07.07					
x.xx ±0.13	APPROVED Greg L	Aug.07.07					
x.xxx ±0.08							
ANGULAR ±1°			UNIT MM	SIZE A3	PART NO. RJM1BD3B8K1ANR	DRAWING NO. RJM1BD3B8K1ANR	REV. A
UNLESS OTHERWISE SPECIFIED							