



Chipsmall Limited consists of a professional team with an average of over 10 year of expertise in the distribution of electronic components. Based in Hongkong, we have already established firm and mutual-benefit business relationships with customers from,Europe,America and south Asia,supplying obsolete and hard-to-find components to meet their specific needs.

With the principle of “Quality Parts,Customers Priority,Honest Operation,and Considerate Service”,our business mainly focus on the distribution of electronic components. Line cards we deal with include Microchip,ALPS,ROHM,Xilinx,Pulse,ON,Everlight and Freescale. Main products comprise IC,Modules,Potentiometer,IC Socket,Relay,Connector.Our parts cover such applications as commercial,industrial, and automotives areas.

We are looking forward to setting up business relationship with you and hope to provide you with the best service and solution. Let us make a better world for our industry!



Contact us

Tel: +86-755-8981 8866 Fax: +86-755-8427 6832

Email & Skype: info@chipsmall.com Web: www.chipsmall.com

Address: A1208, Overseas Decoration Building, #122 Zhenhua RD., Futian, Shenzhen, China

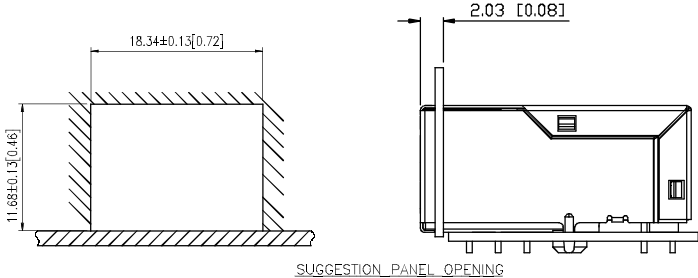
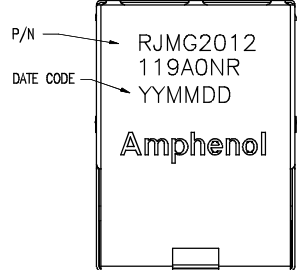


This document is the property of Amphenol Corporation and is delivered on the express condition that it is not to be disclosed, reproduced or used, in whole or in part, for manufacture or sale by anyone other than Amphenol Corporation without its prior consent, and that no right is granted to disclose or to use any information in this document.

The marking on this product doesn't contain environmental hazardous materials per Material Specification SS-00259 for Sony GP compliant or per directive 2011/65/EU for RoHS compliant.

CUSTOMER DRAWING

REVISIONS				
SYM	ECN No.	DESCRIPTION	DATE	APPROVED
A		NEW RELEASE	Apr.02.2010	Greg L
B		UPDATED THE DIMENSIONS	June.01.2010	Greg L
C		Change the LED design to directly LED	June.21.2011	Lawrence Chan
D		CHANGE DATA PIN LENGTH FROM 1.80 TO 3.18	Feb.09.2012	Roger Tsai
EX1		CORRECTION DIMENSION	Jan.25.2013	Roger Tsai
EX2		CORRECTION DIMENSION	Jan.28.2013	Roger Tsai



NOTES:

UNITS: MM [INCH]

MATERIALS:

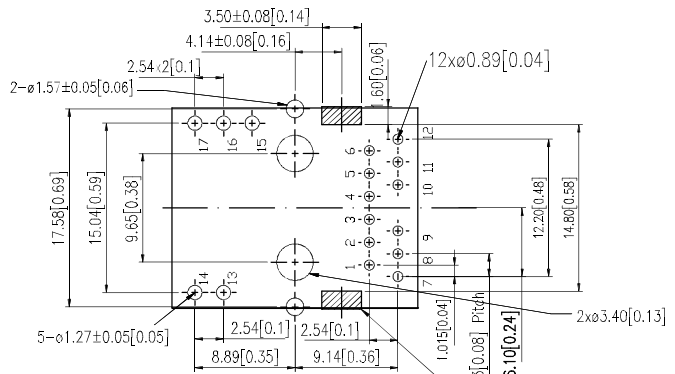
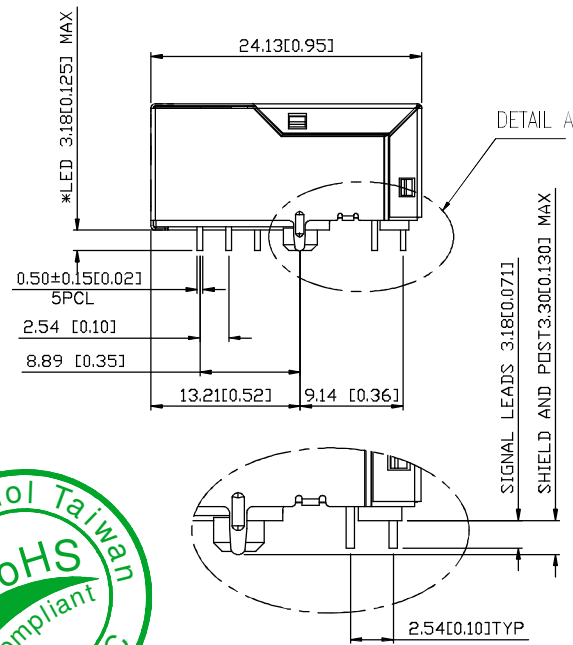
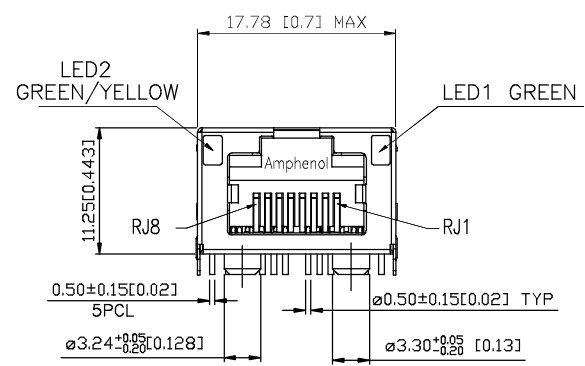
- INSULATOR: THERMOPLASTIC POLYESTER COLOR: BLACK
FLAMMABILITY RATING UL 94V-0
- CONTACTS (RJMG): PHOSPHOR BRONZE
PLATING: GOLD 30u" PLATING ON MATING SURFACES.
120 MICROINCHES PURE TIN ON TAILS.
- OUTPUT TAILS: PURE TIN-COATED COPPER WIRE, DIA 0.5MM
[X] TAILS PINS OF FGs SOLDER DIPPED (Sn/Cu:99.3/0.7)
- SHIELD: STAINLESS STEEL, THICKNESS=0.2mm.
- ALL GROUND PIN: PRE-SOLDERING

MECHANICAL FEATURES:

- SOLDERABILITY: MIL-STD-202, METHOD 208.
- MATING/UNMATING FORCE:
RJ PORT MATING/UNMATING 2.1kg MAX
RETENTION FORCE FOR RJ PORT: 5kg FOR 1 MINUTE
- PACKAGING: 45PCS/PLASTIC TRAY, 5 TRAYS/BOX, 2 BOXES/CARTON (450PCS/CARTON). MEET FCC PART 68.500 REQUIREMENTS.

Environmental

- OPERATING TEMPERATURE: 0°C TO +70°C.
- STORAGE TEMPERATURE: -40°C TO +85°C.
- WAVE SOLDERING TEMPERATURE: 260°C FOR 10 SECONDS
- ALTITUDE OPERATING RANGE: SEA LEVEL TO 3000m
- Humidity: per MIL-STD-1344A, method 1002.1, test condition B
- Thermal Shock: per MIL-STD-1344A, method 1003.1, test condition A
- Vibration: per MIL-STD-1344A, method 2005.1, test condition J
- Mechanical Shock: per MIL-STD-1344A, method 2004.1, test condition C



RECOMMENDED PCB LAYOUT
SEE FROM COMPONENT SIDE
GENERAL TOLERANCE: ±0.05

IT IS RECOMMENDED THAT SHADED AREA OF CUSTOMER PC BOARD BE CLEAR OF ANY VIA HOLE COMPONENT AND CIRCUIT TRANCE

TOLERANCE	APPROVALS	DATE	TITLE		PART No.			
X. ±0.35	DRAWN Devin Yen	01/28/2013	RJMG201X SERIES Single Port 1000 Base-T SERIES Ultra Low Profile Tab Up		Amphenol® Amphenol Corporation Amphenol Taiwan Corporation			
X.X ±0.25					CHECKED LiLy Zhao	01/28/2013	UNIT mm	SIZE A3
X.XXX ±0.15	APPROVED Roger Tsai	01/28/2013	UNLESS OTHERWISE SPECIFIED		SCALE NA	SHEET 1 OF 2	DVG No. RJMG2012119A0NR	
ANGULAR ±1°	DWG TYPE CUST DWG	PROJECT CODE GT363			REV. EX2			

This document is the property of Amphenol Corporation and is delivered on the express condition that it is not to be disclosed, reproduced or used, in whole or in part, for manufacture or sale by anyone other than Amphenol Corporation without its prior consent, and that no right is granted to disclose or to use any information in this document.

The marking on this product doesn't contain environmental hazardous materials per Material Specification SS-00259 for Sony GP compliant or per directive 2011/65/EU for RoHS compliant.

CUSTOMER DRAWING

REVISIONS				
SYM	ECN No.	DESCRIPTION	DATE	APPROVED
A		NEW RELEASE	Apr.02.2010	Greg L
B		UPDATED THE DIMENSIONS	June.01.2010	Greg L
C		Change the LED design to directly LED	June.21.2011	Lawrence Chan
D		CHANGE DATA PIN LENGTH FROM 1.80 TO 3.18	Feb.09.2012	Roger Tsai
EX1		CORRECTION DIMENSION	Jan.25.2013	Roger Tsai
EX2		CORRECTION DIMENSION	Jan.28.2013	Roger Tsai

Compliant with IEEE 802.3ab Standard

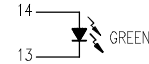
CONNECTOR PERFORMANCE ELECTRICAL SPECIFICATION(@25° C)

PARAMETER	LIMITS (MAX. OR MIN.)	FREQUENCY RANGE/TEST CONDITIONS
INSERTION LOSS	-0.8dB MAX. -1.2dB MAX.	0.1-100 MHz 100-125 MHz
RETURN LOSS	-18dB MIN. -12+20 log(f/80MHz)dB MIN.	0.5-40 MHz 40-100 MHz
CM-CM REJECTION	-30dB MIN.	100 KHz-100 MHz
CM-DM REJECTION	-35dB MIN.	100 KHz-100 MHz
CROSSTALK ISOLATION	-30+20 log(f/100MHz)dB MIN.	100 KHz-100 MHz
HIPOT (ISOLATION)	2250KVDC 1mA	60S
OCL	350uH MIN.	100KHz 100mV 8mA
TURN RATIO	1:1±2%	

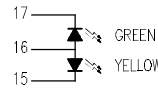
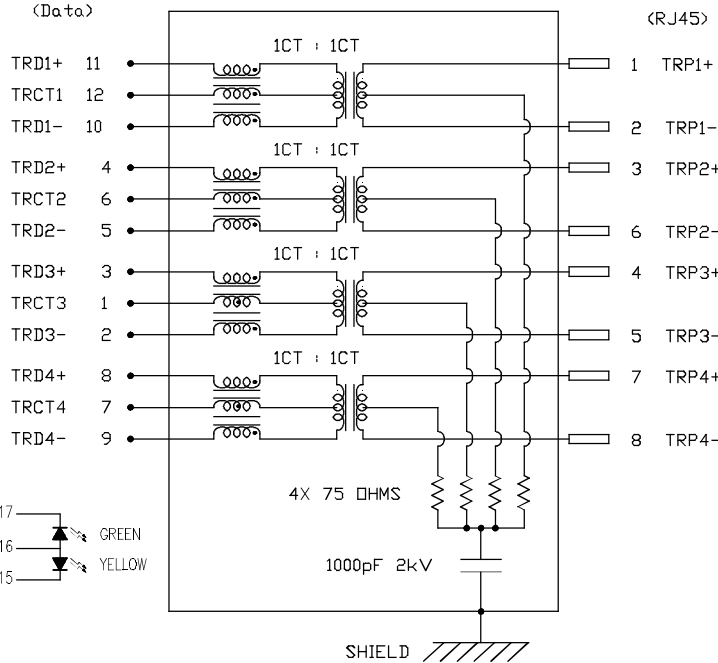
LED PERFORMANCE

PARAMETER	SINGLE COLOUR		BICOLOUR				UNITS
	GREEN	YELLOW	GREEN	YELLOW	GREEN	ORANGE	
FORWARD CURRENT IF MAX	30	30	30		30		mA
REVERSE CURRENT IR MAX	100	100	100		100		uA
REVERSE VOLTAGE VR MAX	-5	-5	-5		-5		V
T OPERATURE	-40~+85	-40~+85	-40~+85		-40~+85		°C
T SOLDERING	260+/-5	260+/-5	260+/-5		260+/-5		°C
POWER DISS. Pd	80	80	80		80		mW
PEAK WAVELENGTH	568	585	568	585	573	610	nM
FORWARD VOLTAGE TYP	2.2	2.2	2.2	2.2	2.2	2.2	(@IF=20mA)
FORWARD VOLTAGE MAX	2.5	2.5	2.5	2.5	2.5	2.5	(@IF=20mA)

LED 1 POLARITY			LED 2 POLARITY			
PIN 13	PIN 14	COLOR	PIN 15	PIN 16	PIN 17	COLOR
-	+	GREEN	-	+	/	YELLOW
/	/	/	/	+	-	GREEN



SCHEMATIC DRAWING



LED can be option available

1. Green
2. Yellow
8. Green/Orange (3 Pins)
9. Green/Yellow (3 Pins)



TOLERANCE	APPROVALS	DATE	TITLE		
X. ±0.35 X.XX ±0.25 X.XXX ±0.15	DRAWN Devin Yen CHECKED LiLy Zhao APPROVED Roger Tsai	01/28/2013	RJMG201X SERIES Single Port 1000 Base-T SERIES Ultra Low Profile Tab Up		
ANGULAR ±1°	DWG TYPE CUST DWG	PROJECT CODE GT363	UNIT mm	SIZE A3	PART No. RJMG2012119A0NR
UNLESS OTHERWISE SPECIFIED			SCALE NA	SHEET 2 OF 2	DWG No. RJMG2012119A0NR REV. EX2

Amphenol®

Amphenol Corporation
Amphenol Taiwan Corporation