



Chipsmall Limited consists of a professional team with an average of over 10 year of expertise in the distribution of electronic components. Based in Hongkong, we have already established firm and mutual-benefit business relationships with customers from,Europe,America and south Asia,supplying obsolete and hard-to-find components to meet their specific needs.

With the principle of “Quality Parts,Customers Priority,Honest Operation,and Considerate Service”,our business mainly focus on the distribution of electronic components. Line cards we deal with include Microchip,ALPS,ROHM,Xilinx,Pulse,ON,Everlight and Freescale. Main products comprise IC,Modules,Potentiometer,IC Socket,Relay,Connector.Our parts cover such applications as commercial,industrial, and automotives areas.

We are looking forward to setting up business relationship with you and hope to provide you with the best service and solution. Let us make a better world for our industry!



Contact us

Tel: +86-755-8981 8866 Fax: +86-755-8427 6832

Email & Skype: info@chipsmall.com Web: www.chipsmall.com

Address: A1208, Overseas Decoration Building, #122 Zhenhua RD., Futian, Shenzhen, China

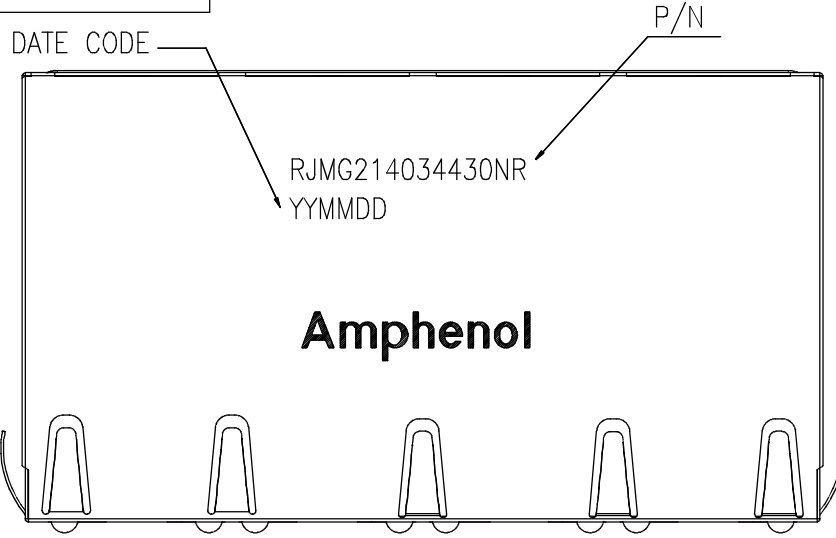


This document is the property of Amphenol Corporation and is delivered on the express condition that is not to be disclosed, reproduced or used, in whole or in part, for manufacture or sale by anyone other than Amphenol Corporation without its prior consent, and that no right is granted to disclose or to use any information in this document.

The marking on this product doesn't contain environmental hazardous materials per Material Specification SS-00259 for Sony GP compliant or per directive 2011/65/EU for RoHS compliant.

CUSTOMER DRAWING

REVISIONS				
SYM	ECN No.	DESCRIPTION	DATE	APPROVED
AX1		NEW RELEASE	01/09/2013	Roger Tsai



MATERIALS:

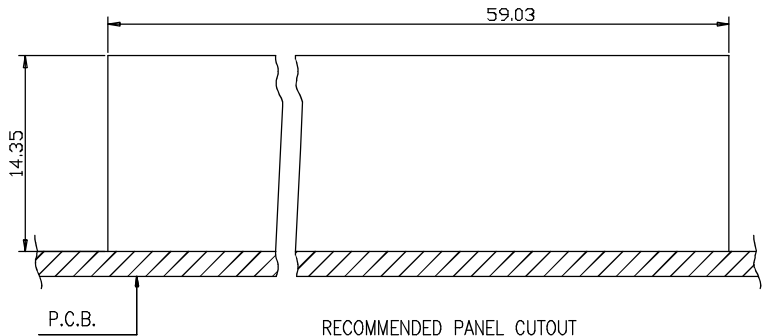
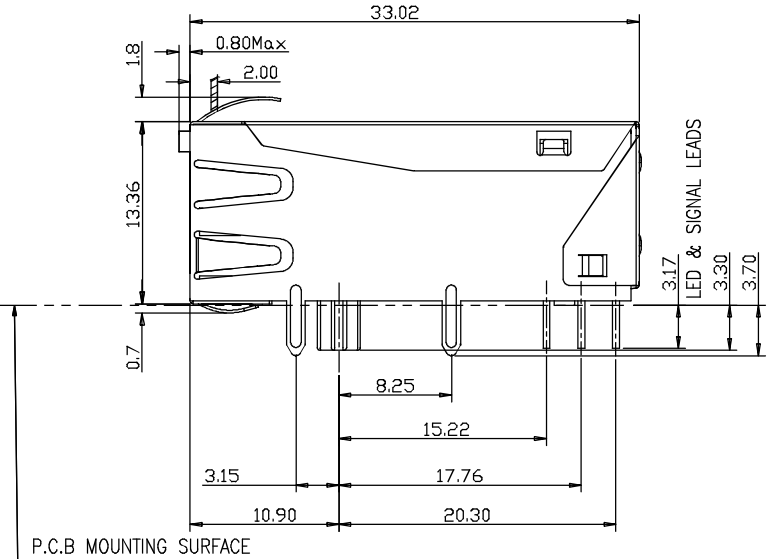
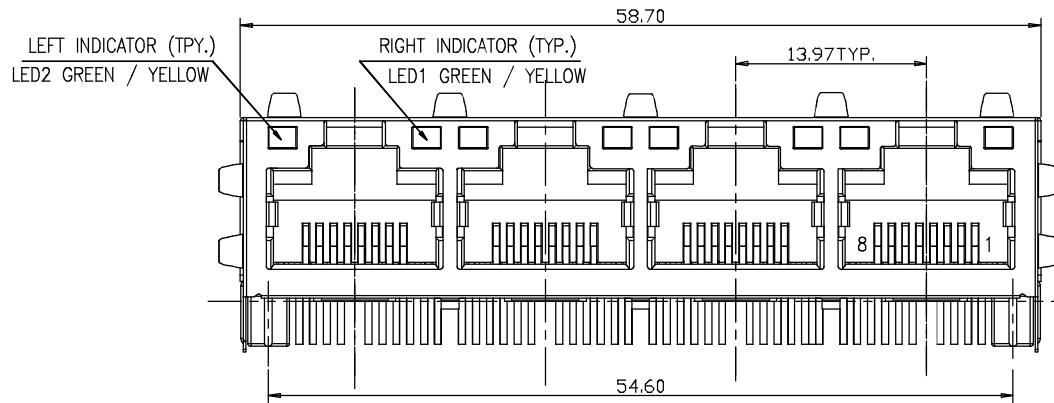
INSULATOR: THERMOPLASTIC
 COLOR: BLACK
 FLAMMABILITY RATING UL 94V-0
 CONTACTS (RJMAG): PHOSPHOR BRONZE
 PLATING: GOLD 30U" PLATING ON MATING SURFACES OR APPROVED EQUIVALENT GOLD FLASH OVER PdNi
 120 MICRONS PURE TIN ON TAILS.
 SHIELD: STAINLESS, THICKNESS=0.20mm
 DIMENSIONS MARKED WITH "*" SHALL BE MEASURED.

MECHANICAL FEATURES:

SOLDERABILITY: MIL-STD-202, METHOD 208.
 MEET FCC PART 68.500 REQUIREMENTS.
 PACKAGING: 20PCS/PLASTIC TRAY, 10 TRAYS/CARTON

OTHERS:

1. Operating Temperature : 0°C TO +70°C
2. Storage Temperature : -40°C TO +85°C
3. WAVE SOLDERING TEMPERATURE: 260°C MAXIMUM FOR 10 SECONDS MAXIMUM.



TOLERANCE	APPROVALS	DATE	TITLE
X. ±0.35	DRAWN Devin Yen	01/09/2013	RJ45 1X4 1G TYPE WITH FILTER & LED OPTION
X.XX ±0.25	CHECKED Lily Zhao	01/09/2013	
X.XXX ±0.15	APPROVED Roger Tsai	01/09/2013	
ANGULAR ±1°	DWG TYPE CUST DWG	PROJECT CODE GT264	
UNLESS OTHERWISE SPECIFIED			

		UNIT mm	SIZE A3	Amphenol [®] Amphenol Corporation Amphenol Taiwan Corporation	
SCALE NA	SHEET 1 OF 3	PART No. RJMG214034430NR		DWG No. RJMG214034430NR	REV. AX1

This document is the property of Amphenol Corporation and is delivered on the express condition that it is not to be disclosed, reproduced or used, in whole or in part, for manufacture or sale by anyone other than Amphenol Corporation without its prior consent, and that no right is granted to disclose or to use any information in this document.

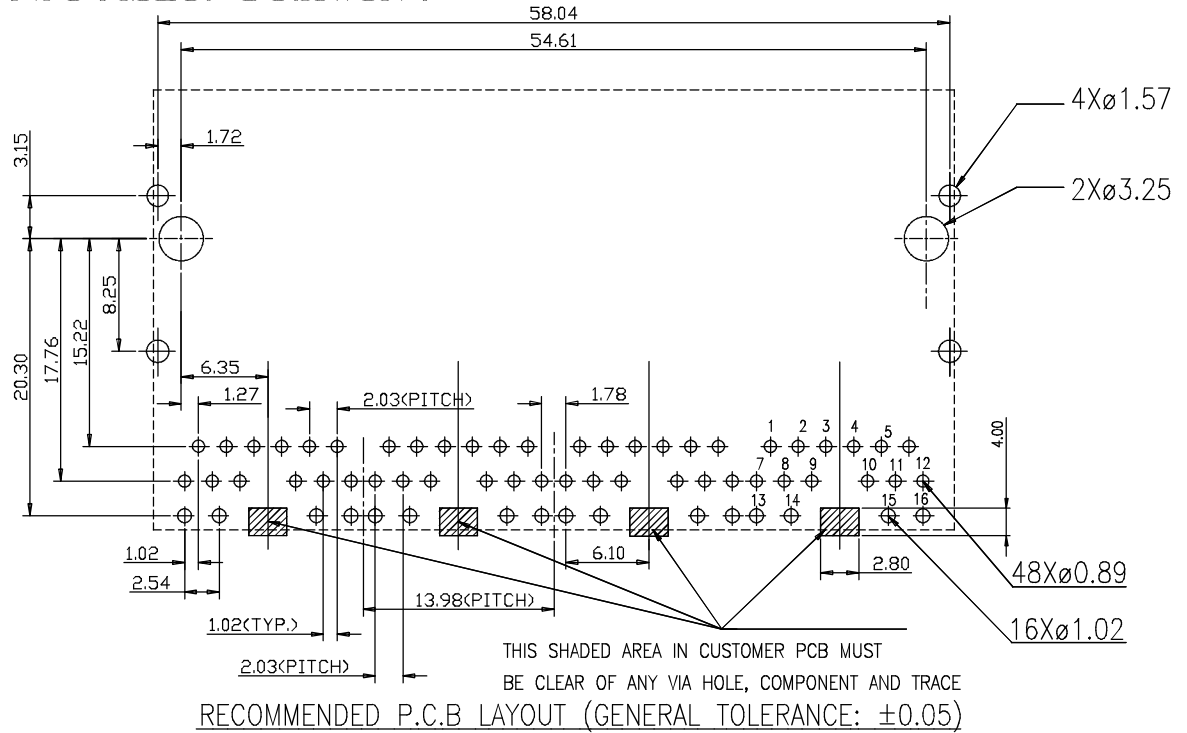
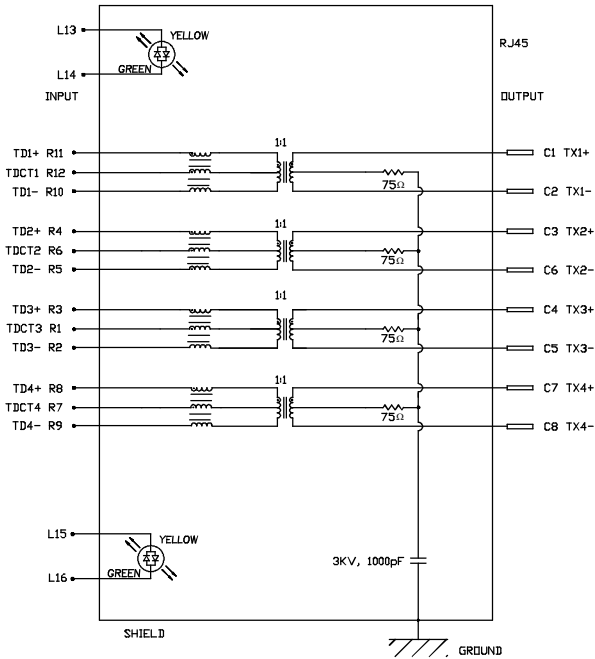
The marking on this product doesn't contain environmental hazardous materials per Material Specification SS-00259 for Sony GP compliant or per directive 2011/65/EU for RoHS compliant.

CUSTOMER DRAWING

REVISIONS				
SYM	ECN No.	DESCRIPTION	DATE	APPROVED
AX1		NEW RELEASE	01/09/2013	Roger Tsai



SCHEMATIC DRAWING



LED PERFORMANCE

PARAMETER	SINGLE COLOUR		BICOLOUR		UNITS	
	GREEN	YELLOW	GREEN	YELLOW		
FORWARD CURRENT IF MAX	30	30	30	30	mA	
REVERSE CURRENT IR MAX	10	10	10	10	µA	
REVERSE VOLTAGE VR MAX	-5	-5	-5	-5	V	
T OPERATURE	-40~+85	-40~+85	-40~+85	-40~+85	°C	
T SOLDERING	260+/-5	260+/-5	260+/-5	260+/-5	°C	
PEAK WAVELENGTH	565	585	565	585	nM	
FORWARD VOLTAGE TYP	2.5	2.1	2.2	2.1	2.2	(@IF=20mA)
FORWARD VOLTAGE MAX	2.9	2.6	2.6	2.6	2.6	(@IF=20mA)

CONNECTOR PERFORMANCE

PARAMETER	LIMITS (MAX. OR MIN.)	FREQUENCY RANGE/TEST CONDITIONS
INSERTION LOSS	-0.8dB MAX. -1.2dB MAX.	0.1-100 MHz 100-125 MHz
RETURN LOSS	-16dB MIN. -10+20 log(f/80MHz)dB MIN.	0.5-40 MHz 40-100 MHz
CM-CM REJECTION	-30dB MIN.	100 KHz-100 MHz
CM-DM REJECTION	-35dB MIN.	100 KHz-100 MHz
CROSSTALK ISOLATION	-30+20 log(f/100MHz)dB MIN.	100 KHz-100 MHz
HIPOT (ISOLATION)	1.5kVrms MIN.	60S
OCL	350uH MIN.	100KHz 100mV 8mA
TURN RATIO	1:1±5%	

TOLERANCE	APPROVALS	DATE	TITLE		PART No.	
X. X.X ±0.35 X.XX ±0.25 X.XXX ±0.15	DRAWN Devin Yen	01/09/2013	RJ45 1X4 1G TYPE WITH FILTER & LED OPTION		Amphenol® Amphenol Corporation Amphenol Taiwan Corporation	
	CHECKED Lily Zhao	01/09/2013				
	APPROVED Roger Tsai	01/09/2013				
ANGULAR ±1°	DWG TYPE CUST DWG	PROJECT CODE GT264	UNIT mm	SIZE A3	PART No. RJMG214034430NR	
UNLESS OTHERWISE SPECIFIED			SCALE NA	SHEET 2 OF 3	DWG No. RJMG214034430NR	
					REV. AX1	

This document is the property of Amphenol Corporation and is delivered on the express condition that is not to be disclosed, reproduced or used, in whole or in part, for manufacture or sale by anyone other than Amphenol Corporation without its prior consent, and that no right is granted to disclose or to use any information in this document.

The marking on this product doesn't contain environmental hazardous materials per Material Specification SS-00259 for Sony GP compliant or per directive 2011/65/EU for RoHS compliant.

CUSTOMER DRAWING

REVISIONS				
SYM	ECN No.	DESCRIPTION	DATE	APPROVED
AX1		NEW RELEASE	01/09/2013	SunkyShang

PRODUCT		TRAY PER PE BAG	PCS PER TRAY	PCS PER PE BAG	PCS PER MASTER CARTON
SERIES	PORTS				
GT264	1X4	5	20	100	200

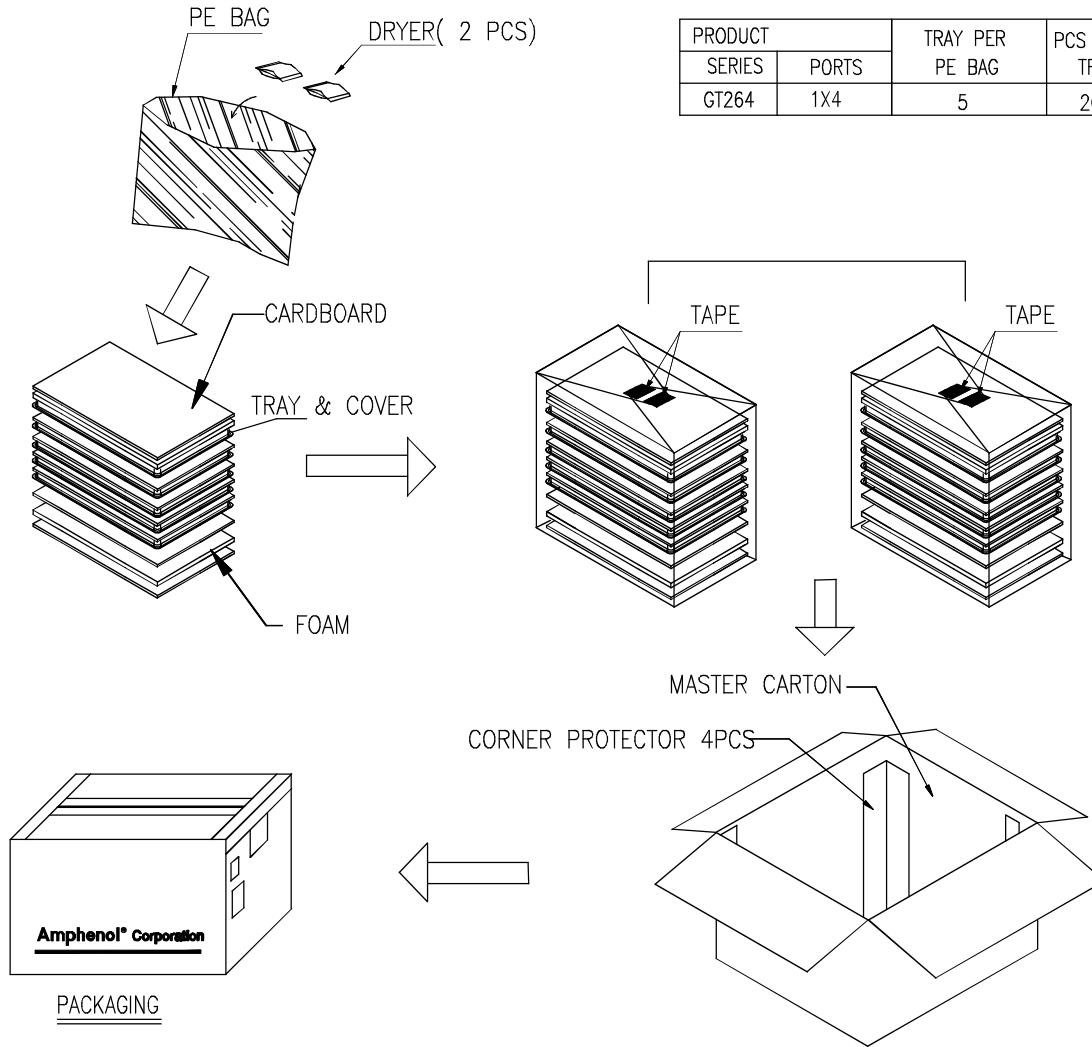


NOTES:

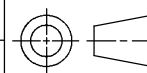
OUTER BOX(MASTER CARTON):
 A+B, 5LAYERS, K=K, 6.0±0.5MM THICKNESS.
 BREAK STRENGTH (P): 9Kg/cm² MINIMUM PER CNS(CD-1).
 INSPECTION LEVEL PER ML-STD-105D.

MATERIAL	QTY(PCS)	DESCRIPTION
TRAY	10	-
COVER	10	-
PE BAG	2	1PCS PER INNER BOX
DRYER	4	2PCS PER INNER BOX
OUTER BOX	1	560X360X188 MM
FOAM	4	2 PCS PER INNER BOX
CARDBOARD	12~16	6~8 PCS PER INNER BOX
CORNER PROTECTOR	4	4 PCS IN OUTER BOX

* The Cardboard QTY depend on the packing status(loose or tight).



TOLERANCE	APPROVALS	DATE	TITLE		PART No.	
X. ±0.35	DRAWN Devin Yen	01/09/2013	RJ45 1X4 1G TYPE WITH FILTER & LED OPTION		Amphenol [®] Amphenol Corporation Amphenol Taiwan Corporation	
X.XX ±0.25	CHECKED Lily Zhao	01/09/2013				
X.XXX ±0.15	APPROVED Roger Tsai	01/09/2013				
ANGULAR ±1°	DWG TYPE CUST DWG	PROJECT CODE GT264	UNIT mm	SCALE NA	SIZE A3	SHEET 3 OF 3
UNLESS OTHERWISE SPECIFIED						



PART No.	RJMG214034430NR
DWG No.	RJMG214034430NR
REV.	AX1