



Chipsmall Limited consists of a professional team with an average of over 10 year of expertise in the distribution of electronic components. Based in Hongkong, we have already established firm and mutual-benefit business relationships with customers from,Europe,America and south Asia,supplying obsolete and hard-to-find components to meet their specific needs.

With the principle of “Quality Parts,Customers Priority,Honest Operation,and Considerate Service”,our business mainly focus on the distribution of electronic components. Line cards we deal with include Microchip,ALPS,ROHM,Xilinx,Pulse,ON,Everlight and Freescale. Main products comprise IC,Modules,Potentiometer,IC Socket,Relay,Connector.Our parts cover such applications as commercial,industrial, and automotives areas.

We are looking forward to setting up business relationship with you and hope to provide you with the best service and solution. Let us make a better world for our industry!



Contact us

Tel: +86-755-8981 8866 Fax: +86-755-8427 6832

Email & Skype: info@chipsmall.com Web: www.chipsmall.com

Address: A1208, Overseas Decoration Building, #122 Zhenhua RD., Futian, Shenzhen, China

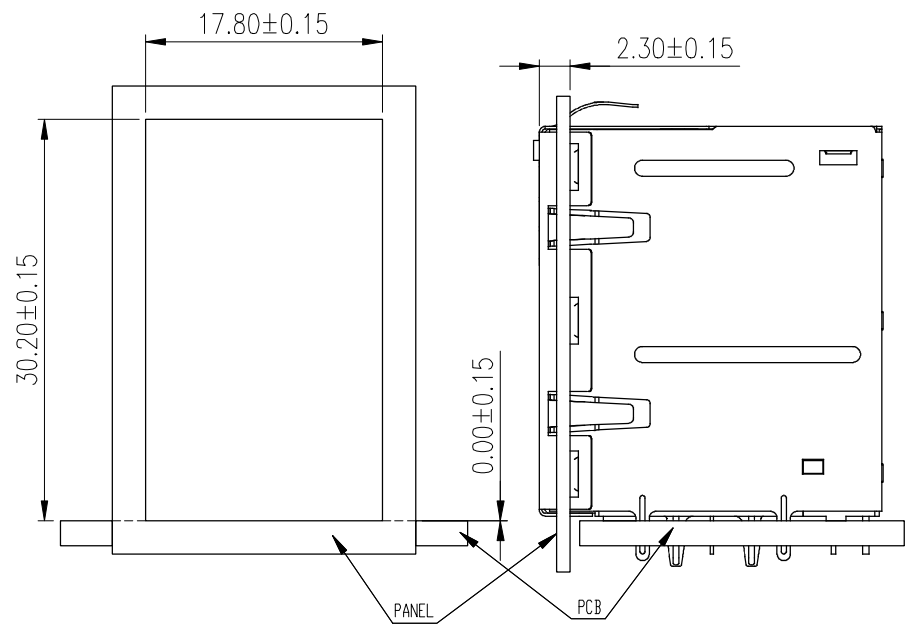
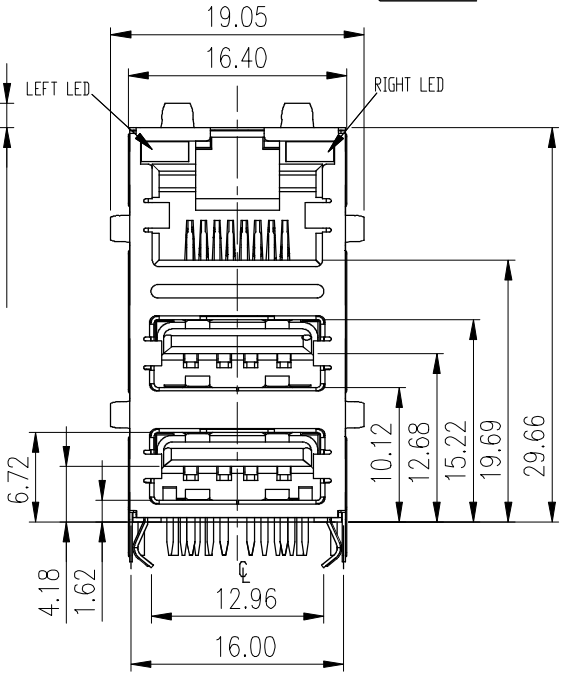
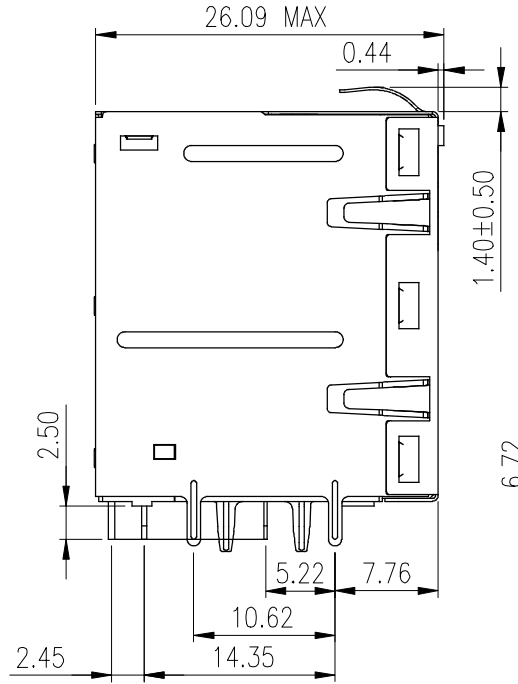
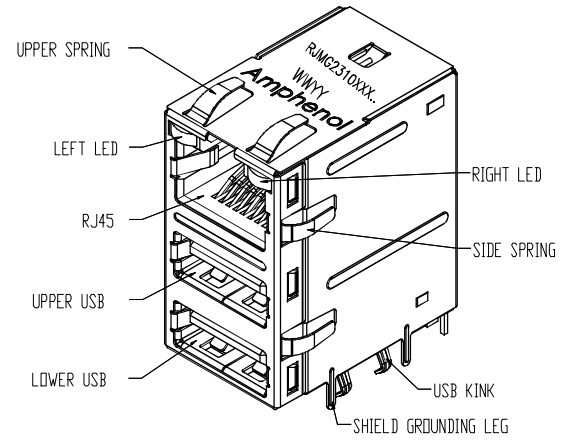
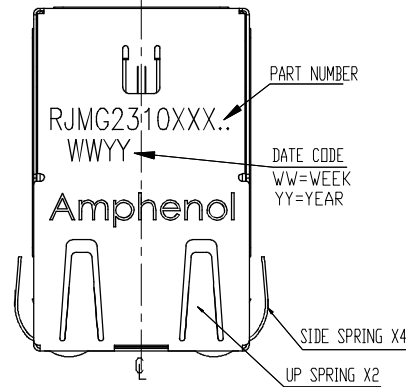


This document is the property of Amphenol Corporation and is delivered on the express condition that it is not to be disclosed, reproduced or used, in whole or in part, for manufacture or sale by anyone other than Amphenol Corporation without its prior consent, and that no right is granted to disclose or to use any information in this document.

The marking on this product doesn't contain environmental hazardous materials per Material Specification SS-00259 for Sony GP compliant or per directive 2011/65/EU for RoHS compliant.

CUSTOMER DRAWING

REVISIONS				
SYM	ECN No.	DESCRIPTION	DATE	APPROVED
A		NEW PROPOSAL DRAWING	04/10/2008	Greg.L
B	NE-15160	ADD THE PANEL DIMENSION AND UPDATE THE SHAPE	12/01/2015	Roger Tsai
C	NE-17008	Update the Footprint of USB PCB Layout	1/10/2017	Roger Tsai



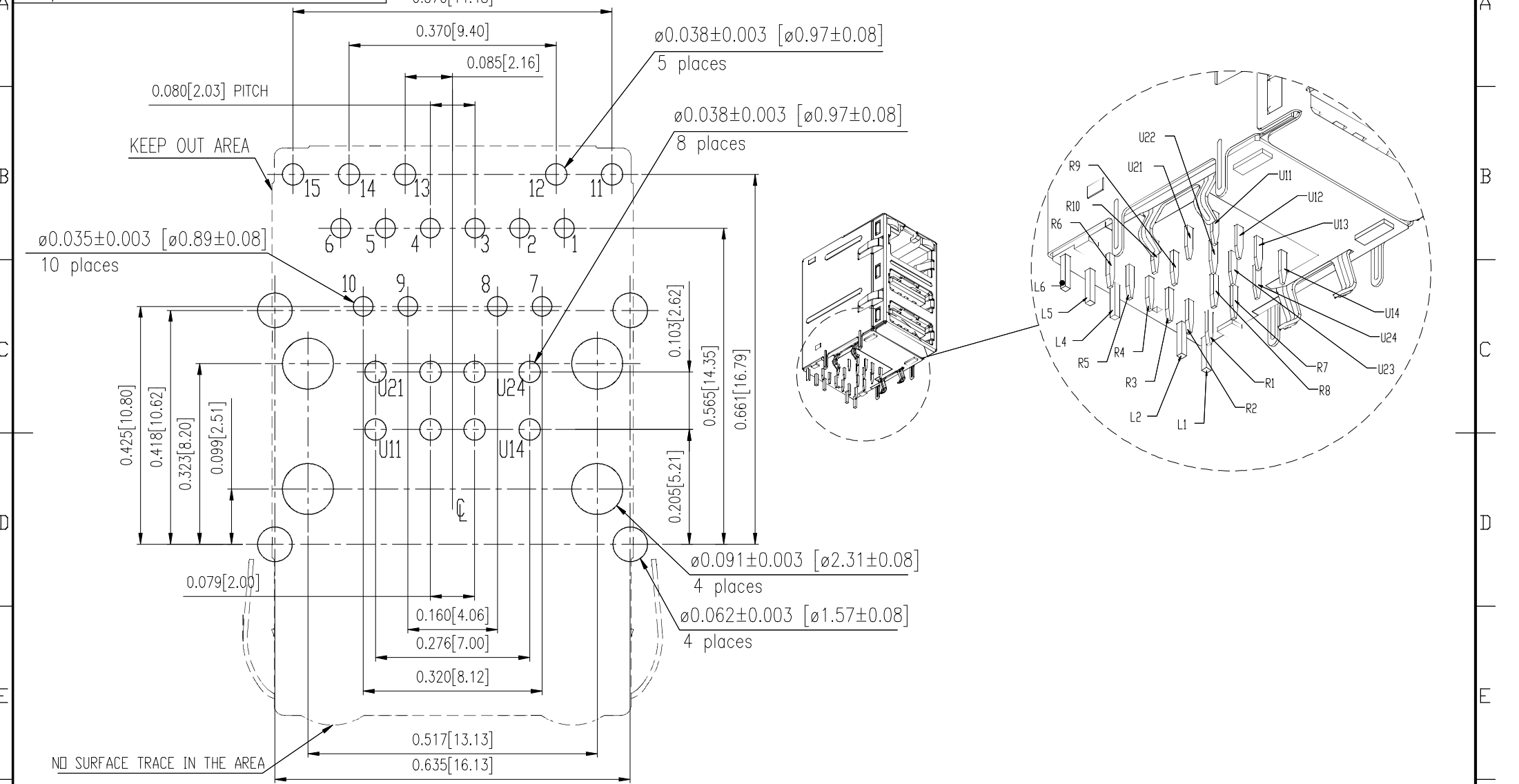
TOLERANCE	APPROVALS	DATE	TITLE		Amphenol®			
X. ±0.35	DRAWN Arvin Ye	1/10/2017	RJmag 1000 Base-T		Amphenol Corporation			
X.X ±0.25			RJ Over Dual USB		Amphenol Taiwan Corporation			
X.XX ±0.15	CHECKED Vivian Wen	1/10/2017			PART No. RJMG2310228A0ER			
ANGULAR ±1°	APPROVED Roger Tsai	1/10/2017			DWG No. RJMG2310228A0ER			
UNLESS OTHERWISE SPECIFIED	DWG TYPE CUST DWG	PROJECT CODE RJMG			UNIT mm	SIZE A3	REV. C	
					SCALE NA	SHEET 1 OF 4		

This document is the property of Amphenol Corporation and is delivered on the express condition that it is not to be disclosed, reproduced or used, in whole or in part, for manufacture or sale by anyone other than Amphenol Corporation without its prior consent, and that no right is granted to disclose or to use any information in this document.

The marking on this product doesn't contain environmental hazardous materials per Material Specification SS-00259 for Sony GP compliant or per directive 2011/65/EU for RoHS compliant.

CUSTOMER DRAWING

REVISIONS				
SYM	ECN No.	DESCRIPTION	DATE	APPROVED
A		NEW PROPOSAL DRAWING	04/10/2008	Greg.L
B	NE-15160	ADD THE PANEL DIMENSION AND UPDATE THE SHAPE	12/01/2015	Roger Tsai
C	NE-17008	Update the Footprint of USB PCB Layout	1/10/2017	Roger Tsai



Recommended PCB layout
component side view
PCB thickness : 1.6mm

TOLERANCE	APPROVALS	DATE	TITLE
X. ±0.35	DRAWN Arvin Ye	1/10/2017	RJmag 1000 Base-T
X.X ±0.25	CHECKED Vivian Wen	1/10/2017	RJ Over Dual USB
X.XX ±0.15	APPROVED Roger Tsai	1/10/2017	
ANGULAR ±1°	DWG TYPE CUST DWG	PROJECT CODE RJMG	
UNLESS OTHERWISE SPECIFIED			

UNIT mm	SIZE A3	PART No. RJMG2310228A0ER
SCALE NA	SHEET 2 OF 4	DWG No. RJMG2310228A0ER

Amphenol®
Amphenol Corporation
Amphenol Taiwan Corporation

REV. C

This document is the property of Amphenol Corporation and is delivered on the express condition that is not to be disclosed, reproduced or used, in whole or in part, for manufacture or sale by anyone other than Amphenol Corporation without its prior consent, and that no right is granted to disclose or to use any information in this document.

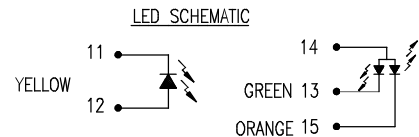
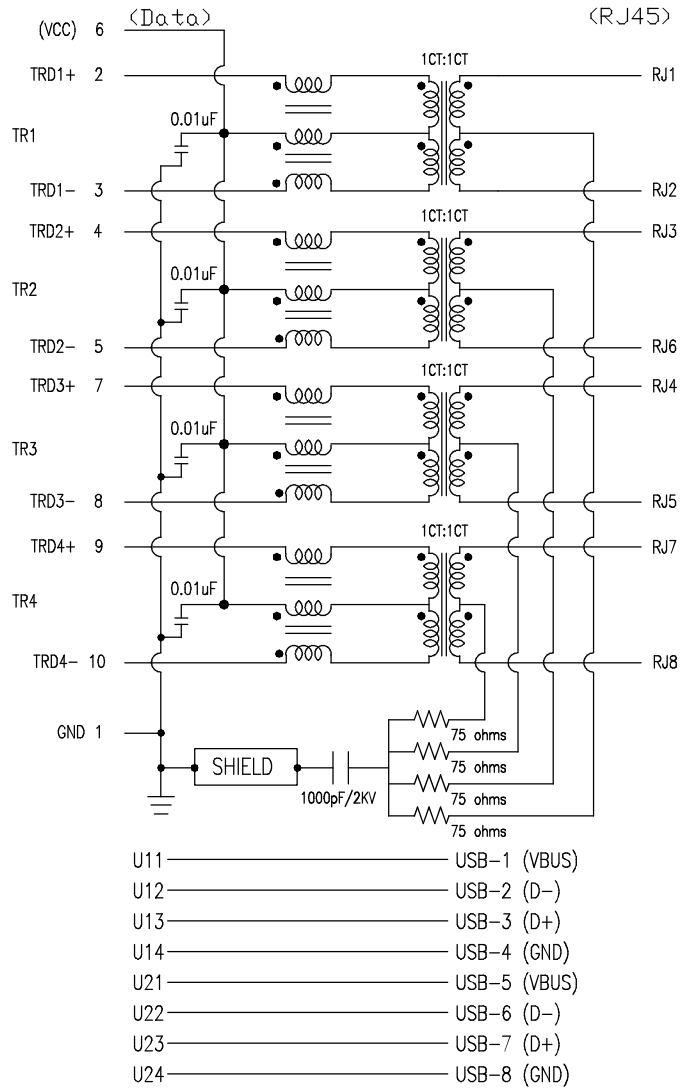
The marking on this product doesn't contain environmental hazardous materials per Material Specification SS-00259 for Sony GP compliant or per directive 2011/65/EU for RoHS compliant.

CUSTOMER DRAWING

Compliant with IEEE 802.3ab Standard

REVISIONS				
SYM	ECN No.	DESCRIPTION	DATE	APPROVED
A		NEW PROPOSAL DRAWING	04/10/2008	Greg.L
B	NE-15160	ADD THE PANEL DIMENSION AND UPDATE THE SHAPE	12/01/2015	Roger Tsai
C	NE-17008	Update the Footprint of USB PCB Layout	1/10/2017	Roger Tsai

SCHEMATIC DRAWING



CONNECTOR PERFORMANCE

ELECTRICAL SPECIFICATION(@25° C)

PARAMETER	LIMITS (MAX. OR MIN.)	FREQUENCY RANGE/TEST CONDITIONS
INSERTION LOSS	-1.2dB MAX.	0.1-125 MHz
RETURN LOSS	-16dB MIN. -10+20 log(f/80MHz)dB MIN.	0.5-40 MHz 40-100 MHz
CM-CM REJECTION	-30dB MIN.	100KHz-100MHz
CM-DM REJECTION	-35dB MIN.	100KHz-100MHz
CROSSTALK	-35dB MIN.	100KHz-100MHz
HIPOT (Withstanding)	1.5kVrms/60Hz or 2.25VDC MIN.	60S
ISOLATION Resistance	1000M ohms MIN.	500VDC 60S
OCL	350uH MIN. From 0~70 degree	100KHz 100mV 8mA
TURN RATIO	1:1±5%	

LED PERFORMANCE:

	Activity	Link	
		Green (10Mbps)	Orange (100Mbps)
Display Color	Yellow	Green	Orange
Wavelength	590nm	565nm	605nm
Forward Current	30mA	30mA	30mA
Reverse Current	10uA	10uA	10uA
Forward Volt.Max	2.6VDC	2.6VDC	2.6VDC

TOLERANCE	APPROVALS	DATE	TITLE		Amphenol®				
X.X ±0.35 X.XX ±0.25 X.XXX ±0.15	DRAWN	Arvin Ye	1/10/2017	RJmag 1000 Base-T		Amphenol Corporation Amphenol Taiwan Corporation			
	CHECKED	Vivian Wen	1/10/2017	RJ Over Dual USB					
	ANGULAR ±1°	APPROVED	Roger Tsai	1/10/2017			UNIT mm	SIZE A3	PART No.
UNLESS OTHERWISE SPECIFIED	DWG TYPE	CUST DWG	PROJECT CODE	RJMG	SCALE NA	SHEET 3 OF 4	DWG No.	RJMG2310228A0ER	REV. C

