



Chipsmall Limited consists of a professional team with an average of over 10 year of expertise in the distribution of electronic components. Based in Hongkong, we have already established firm and mutual-benefit business relationships with customers from,Europe,America and south Asia,supplying obsolete and hard-to-find components to meet their specific needs.

With the principle of "Quality Parts,Customers Priority,Honest Operation,and Considerate Service",our business mainly focus on the distribution of electronic components. Line cards we deal with include Microchip,ALPS,ROHM,Xilinx,Pulse,ON,Everlight and Freescale. Main products comprise IC,Modules,Potentiometer,IC Socket,Relay,Connector.Our parts cover such applications as commercial,industrial, and automotives areas.

We are looking forward to setting up business relationship with you and hope to provide you with the best service and solution. Let us make a better world for our industry!



## Contact us

Tel: +86-755-8981 8866 Fax: +86-755-8427 6832

Email & Skype: info@chipsmall.com Web: www.chipsmall.com

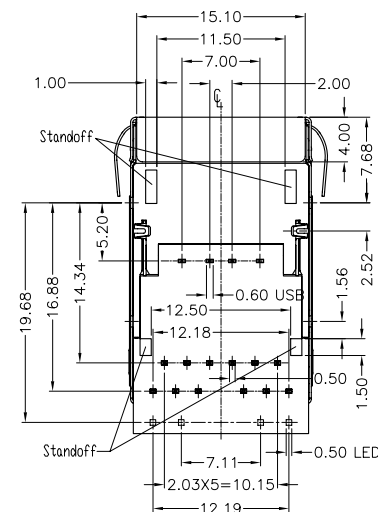
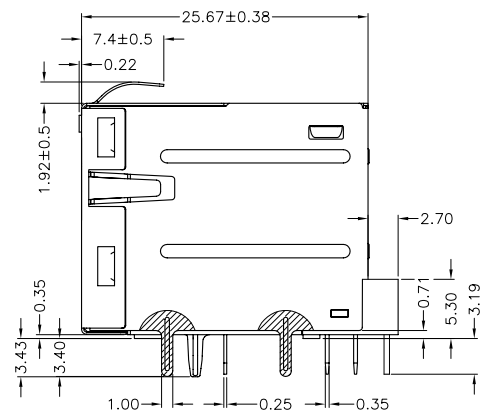
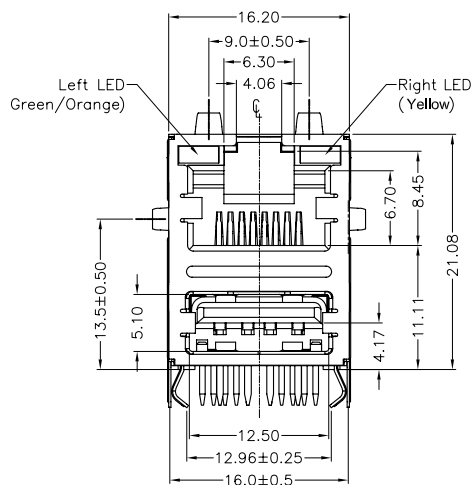
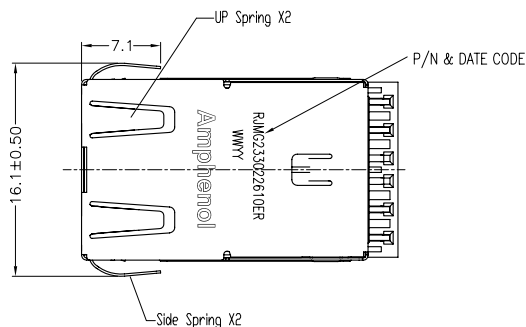
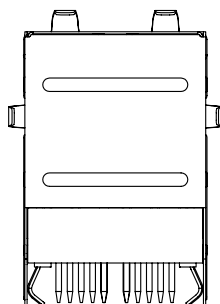
Address: A1208, Overseas Decoration Building, #122 Zhenhua RD., Futian, Shenzhen, China



This document is the property of Amphenol Corporation and is delivered on the express condition that it is not to be disclosed, reproduced or used, in whole or in part, for manufacture or sale by anyone other than Amphenol Corporation without its prior consent, and that no right is granted to disclose or to use any information in this document.

# CUSTOMER DRAWING

REVISIONS				
SYM	ECN No.	DESCRIPTION	DATE	APPROVED
A		PRELIMINARY RELEASED	Jun.01.09	Greg L

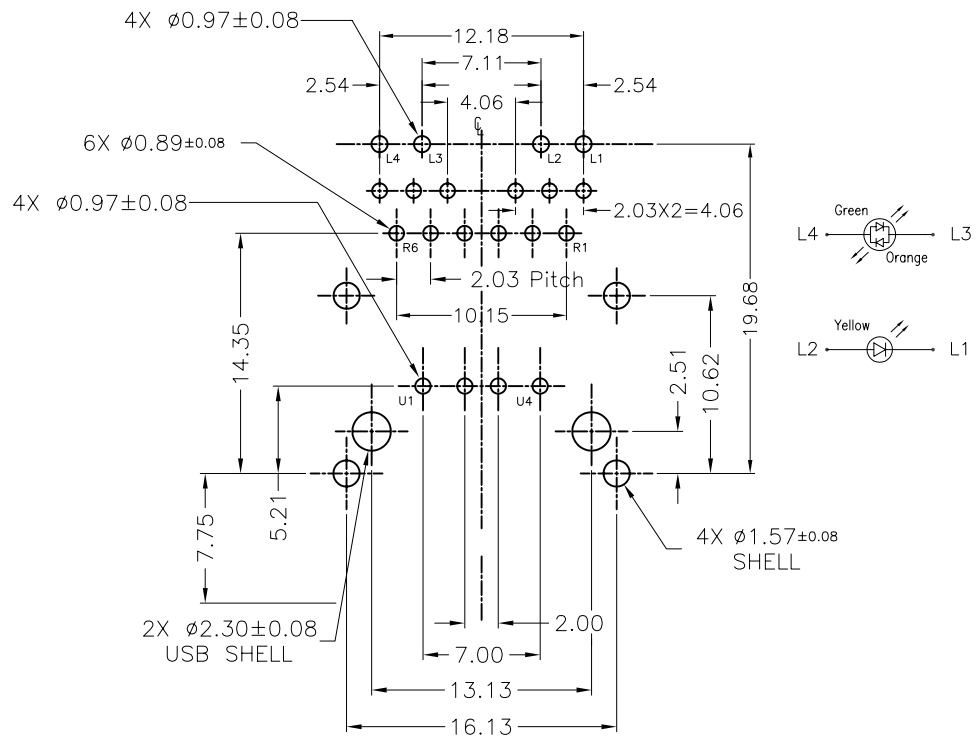


TOLERANCE m/m		APPROVALS	DATE	TITLE		 Amphenol East Asia Ltd	
x.	±0.30	DRAWN Stone Lee	Jun.01.09	RJmag 1000 Base-T			
x.x	±0.25	CHECKED Jason Zhan	Jun.01.09	RJ Over USB		SHEET	1 OF 3
x.xx	±0.15	APPROVED Greg L	Jun.01.09	SIZE	PART NO.	DRAWING NO.	REV.
x.xxx	±0.08			MM	RJMG233022610ER	RJMG233022610ER	A
ANGULAR	±2°						
UNLESS OTHERWISE SPECIFIED							

This document is the property of Amphenol Corporation and is delivered on the express condition that it is not to be disclosed, reproduced or used, in whole or in part, for manufacture or sale by anyone other than Amphenol Corporation without its prior consent, and that no right is granted to disclose or to use any information in this document.

# CUSTOMER DRAWING

REVISIONS				
SYM	ECN No.	DESCRIPTION	DATE	APPROVED
A		PRELIMINARY RELEASED	Jun.01.09	Greg L

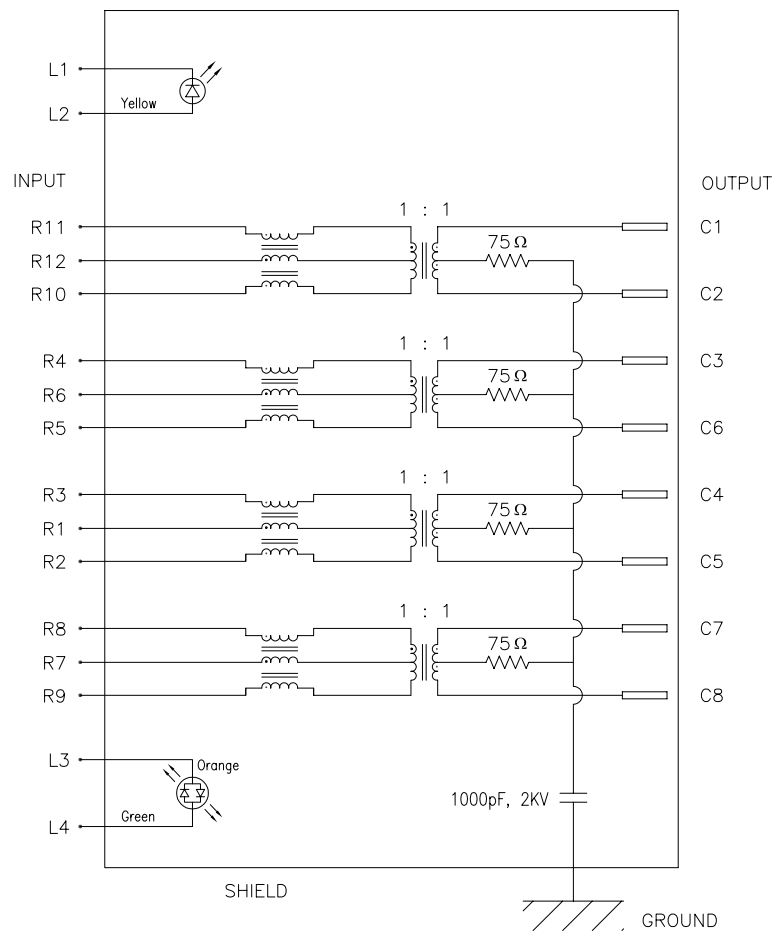


RECOMMENDED PCB LAYOUT  
COMPONENT SIDE  
PCB THICKNESS : 1.60mm  
ALL DIMENSION TOLERANCE ARE ±0.05  
UNLESS OTHERWISE SPECIFIED



### LED PERFORMANCE

Emitted Color	Yellow	Green/Orange
Wavelength	585nm	568/610nm
Forward Current	30mA Max.	30mA Max.
Reverse Current	100uA Max. @ 5V	100uA Max. @ 5V
Forward Volt. Max.	2.2 VDC	2.2 VDC



TOLERANCE m/m	APPROVALS	DATE	TITLE	<b>Amphenol®</b> <b>Amphenol East Asia Ltd</b>
x. ±0.30	DRAWN Stone Lee	Jun.01.09	RJmag 1000 Base-T	
x.x ±0.25	CHECKED Jason Zhan	Jun.01.09	RJ Over USB	
x.xx ±0.15	APPROVED Greg L	Jun.01.09		
x.xxx ±0.08				SCALE N.A. SHEET 2 OF 3
ANGULAR ±2°				DRAWING NO. RJMG233022610ER
UNLESS OTHERWISE SPECIFIED	UNIT MM	SIZE A3	PART NO. RJMG233022610ER	REV. A



This document is the property of Amphenol Corporation and is delivered on the express condition that it is not to be disclosed, reproduced or used, in whole or in part, for manufacture or sale by anyone other than Amphenol Corporation without its prior consent, and that no right is granted to disclose or to use any information in this document.

# CUSTOMER DRAWING

REVISIONS				
SYM	ECN No.	DESCRIPTION	DATE	APPROVED
A		PRELIMINARY RELEASED	Jun.01.09	Greg L

## MATERIALS:

### 1.Terminal Parts:

- 1.1.RJ Terminal :Phosphor Bronze,Thickness=0.30mm  
Finish:30u" gold on contact area,100u" min. tin on solder tail area,underplating 50~100u" Nickel over all.
- 1.2.RJ input Terminal :Brass,Thickness=0.35mm  
Finish:100u" min. tin over 50~100u" Nickel.
- 1.3.Module Terminal :Brass,Thickness=0.25mm  
Finish:100u" min. tin over 50~100u" Nickel.
- 1.4.USB Terminal : Phosphor Bronze , Thickness=0.25mm  
Finish:15u" gold on contact area,100u" min. tin on solder tail area,underplating 50~100u" Nickel over all.



## ELECTRICAL SPECIFICATION(@25° C) CONNECTOR PERFORMANCE

PARAMETER	LIMITS (MAX. OR MIN.)	FREQUENCY RANGE/ TEST CONDITIONS
INSERTION LOSS (RX/TX)	-1.0dB MAX.	1-100 MHz
RETURN LOSS (RX/TX)	-18dB MIN. -16dB MIN. -12dB MIN. -10dB MIN.	1-30 MHz 30-60 MHz 60-80 MHz 80-100 MHz
CM-CM REJECTION	-30dB MIN.	1-100 MHz
CROSSTALK ISOLATION (RX/TX)	-30dB MIN.	1-100 MHz
HIPOT (ISOLATION)	1.5kVrms MIN.	60 Sec.
OCL	350uH MIN.	100KHz 100mV 8mA
TURN RATIO	1:1±5%	

### 2.Plastic Parts:

- 2.1.Housing : Thermoplastic , PBT , Black ;UL FILE No. : E130155  
Grade:1410, Flame Class:UL94 V-0
- 2.2.Coil Case : Thermoplastic,PBT,UL FILE No. : E130155  
Grade:1410, Flame Class:UL94 V-0
- 2.3.Spacer : Thermoplastic,PBT,UL FILE No. : E130155  
Grade:1410, Flame Class:UL94 V-0

### 3.Shell Parts:

- 3.1.Shell : Stainless,Thickness=0.20mm,  
Grounding Leg : Pre-soldering.
- 3.2.Grounding Leg of USB : Brass , Thickness=0.25mm  
Finish : 100m? min. Tin over 50~100m? min. Nickel

### OTHERS:

- 1.Operating Temperature : 0°C TO +70°C
- 2.Storage Temperature : -40°C TO +85°C
- 3.JACK CAVITY CONFORMS TO FCC RULES AND REGULATIONS  
PART 68 , SUBPART F

TOLERANCE m/m		APPROVALS	DATE	TITLE		Amphenol® Amphenol East Asia Ltd	
x.	±0.30	<b>DRAWN</b> Stone Lee	Jun.01.09	RJmag 1000 Base-T RJ Over USB		SCALE N.A. SHEET 3 OF 3	
x.x	±0.25	<b>CHECKED</b> Jason Zhan	Jun.01.09				
x.xx	±0.15	<b>APPROVED</b> Greg L	Jun.01.09				
x.xxx	±0.08			SIZE	PART NO.	DRAWING NO.	REV.
ANGULAR	±2°			UNIT	RJMG233022610ER	RJMG233022610ER	A
UNLESS OTHERWISE SPECIFIED				MM	A3		