



Chipsmall Limited consists of a professional team with an average of over 10 year of expertise in the distribution of electronic components. Based in Hongkong, we have already established firm and mutual-benefit business relationships with customers from,Europe,America and south Asia,supplying obsolete and hard-to-find components to meet their specific needs.

With the principle of “Quality Parts,Customers Priority,Honest Operation,and Considerate Service”,our business mainly focus on the distribution of electronic components. Line cards we deal with include Microchip,ALPS,ROHM,Xilinx,Pulse,ON,Everlight and Freescale. Main products comprise IC,Modules,Potentiometer,IC Socket,Relay,Connector.Our parts cover such applications as commercial,industrial, and automotives areas.

We are looking forward to setting up business relationship with you and hope to provide you with the best service and solution. Let us make a better world for our industry!



## Contact us

Tel: +86-755-8981 8866 Fax: +86-755-8427 6832

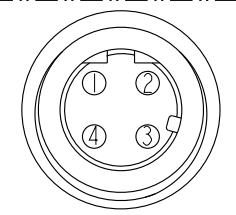
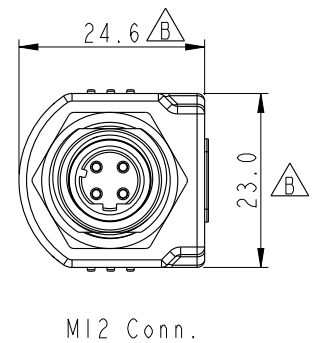
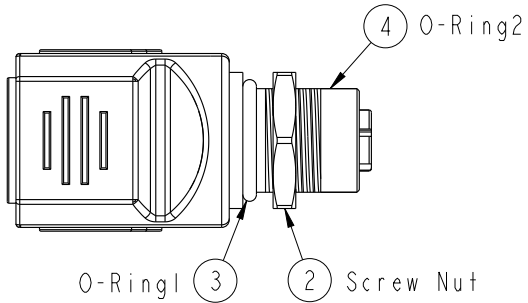
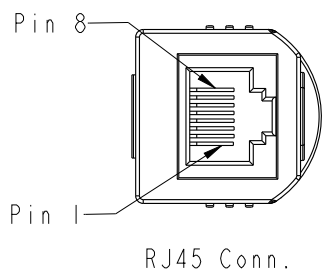
Email & Skype: info@chipsmall.com Web: www.chipsmall.com

Address: A1208, Overseas Decoration Building, #122 Zhenhua RD., Futian, Shenzhen, China

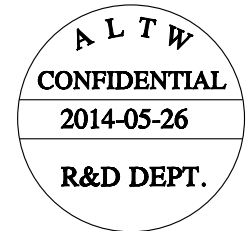
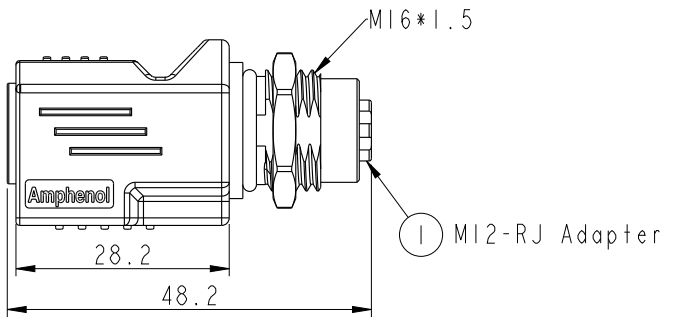


THIS DOCUMENT IS SUBJECT TO CHANGE WITHOUT NOTICE. IT IS CONFIDENTIAL AND A PROPERTY OF Amphenol LTW. DISCLOSURE TO THIRD PARTY HAS TO BE AUTHORIZED BY Amphenol LTW.

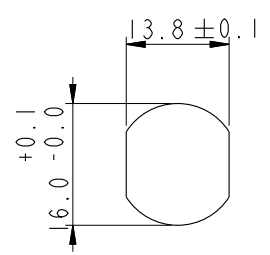
| REV. | ECN NO.    | DATE       | SIGN      | DESCRIPTION            |
|------|------------|------------|-----------|------------------------|
| A    |            | 2013-02-06 | Lu Di     | Change Rev.01 To Rev.A |
| B    | LE31350017 | 2013-04-22 | Lu Di     | Add The Dimensions     |
| C    | LE31460009 | 2014-05-26 | Tony_leng | Change O-Ring          |



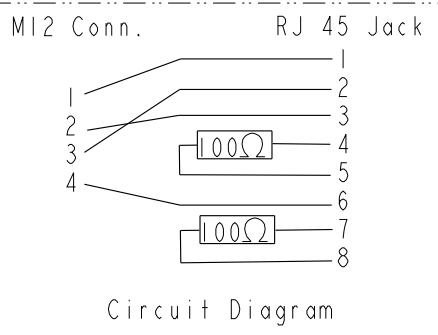
Pin Assignments  
Front View



- Note:
- \*  $\varnothing$  Important Dimension
  - \* Waterproof Rate: IP65(MOLDING)
  - \* Waterproof Rate: IP68(M12)  
(Under Water 1M 24 hours)
  - \* Pin: Copper Alloy, Gold Plated
  - \* Nut: Zinc Alloy, Nickel Plated
  - \* Shield: Copper Alloy, Nickel Plated
  - \* O-Ring1: Silicone, UL94V-0, Gray.
  - \* O-Ring2: Silicone, UL94V-0, Gray.
  - \* Jack: PBT, Black.
  - \* Housing: Nylon+GF, Black.
  - \* Panel Thickness Max: 5.0mm



M12 Recommended  
Panel Cut-Out



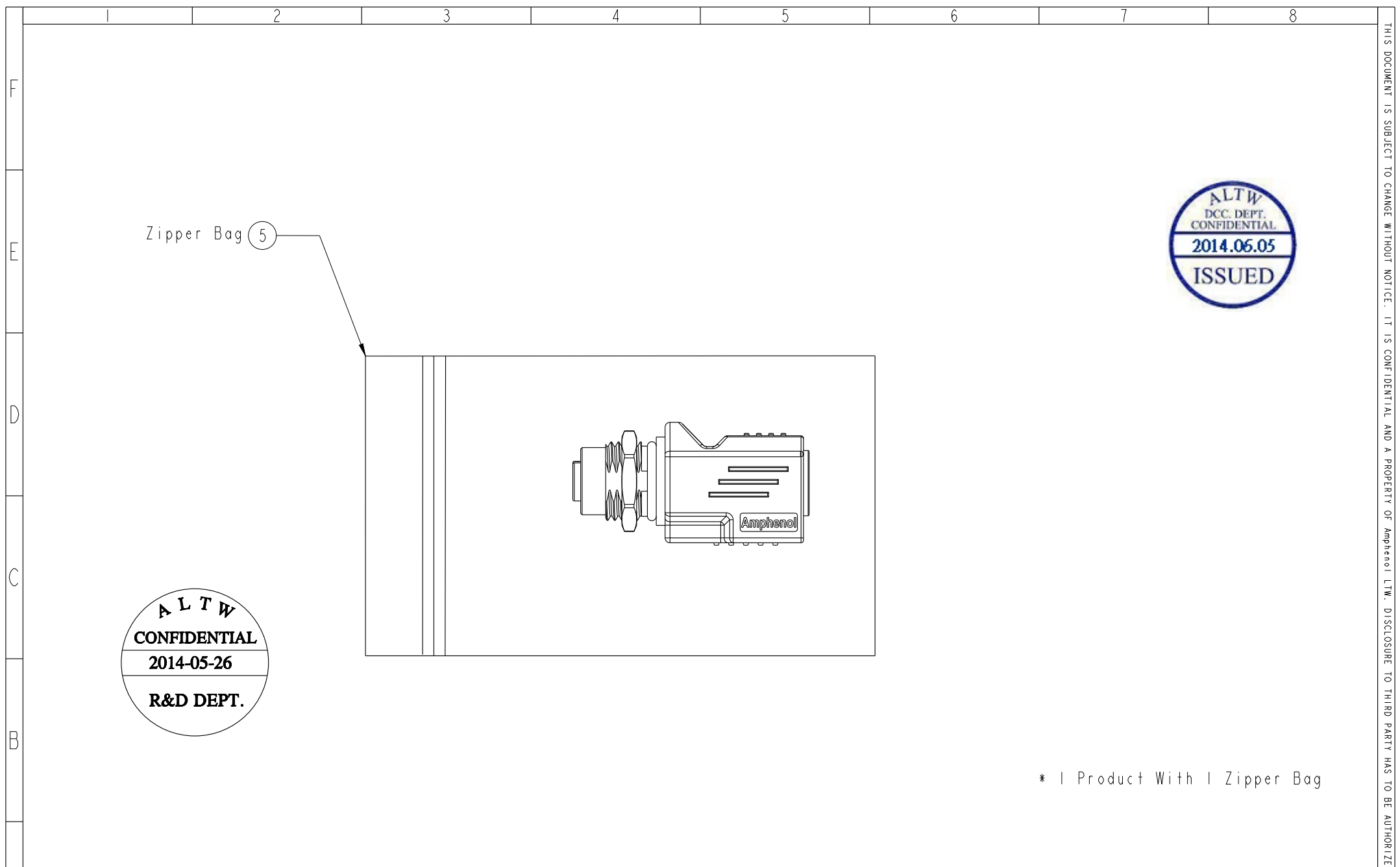
|           |                    |          |
|-----------|--------------------|----------|
| UNIT: mm  | $\varnothing$      | $\nabla$ |
| TOLERANCE | $\pm 0.5\text{mm}$ |          |

|  |                |                                 |  |
|--|----------------|---------------------------------|--|
| TITLE<br>ADAPTOR, SHIELDED<br>M12 D CODE TO RJ45 |                |                                 |  |
| SCALE<br>1:1                                     | SIZE<br>A4     | SHEET<br>1 OF 2                 |  |
| REV.<br>C  | WC-REV.<br>B.2 | $\varnothing$ : Inspection item |  |

**Amphenol LTW**  
安費諾亮泰企業股份有限公司

|                               |                        |                    |
|-------------------------------|------------------------|--------------------|
| ITEM NO<br>RJS-12D04FF-LS8001 | DRAWN BY<br>Tony_leng  | DATE<br>2014-05-26 |
| DWG NO<br>RJS-12D04FF-LS8001  | CHECKED BY<br>Jimmy    | DATE<br>2014-05-26 |
| CUSTOMER<br>ALTW              | APPROVED BY<br>Ja-anne | DATE<br>2014-05-26 |

THIS DOCUMENT IS SUBJECT TO CHANGE WITHOUT NOTICE. IT IS CONFIDENTIAL AND A PROPERTY OF Amphenol LTW. DISCLOSURE TO THIRD PARTY HAS TO BE AUTHORIZED BY Amphenol LTW.



\* 1 Product With 1 Zipper Bag

|   |                                 |  |  |  |                |                 |                                      |                        |                               |                       |                    |
|---|---------------------------------|--|--|--|----------------|-----------------|--------------------------------------|------------------------|-------------------------------|-----------------------|--------------------|
| A | <b>UNIT:mm</b>                  |  |  | TITLE<br>ADAPTOR, SHIELDED<br>M12 D CODE TO RJ45 |                |                 | <b>Amphenol LTW</b><br>安費諾亮泰企業股份有限公司 |                        | ITEM NO<br>RJS-12D04FF-LS8001 | DRAWN BY<br>Tony_leng | DATE<br>2014-05-26 |
|   | TOLERANCE<br>$\pm 0.5\text{mm}$ |  |  | SCALE<br>1:1                                     | SIZE<br>A4     | SHEET<br>2 OF 2 |                                      |                        | DWG NO<br>RJS-12D04FF-LS8001  | CHECKED BY<br>Jimmy   | DATE<br>2014-05-26 |
|   |                                 |  |  | REV.<br>C  | WC-REV.<br>B.2 |                 | CUSTOMER<br>ALTW                     | APPROVED BY<br>Jo-anne | DATE<br>2014-05-26            |                       |                    |
|   |                                 |  |  |  |                |                 |                                      |                        |                               |                       | 8 FMW10702-01-02A1 |