



Chipsmall Limited consists of a professional team with an average of over 10 year of expertise in the distribution of electronic components. Based in Hongkong, we have already established firm and mutual-benefit business relationships with customers from,Europe,America and south Asia,supplying obsolete and hard-to-find components to meet their specific needs.

With the principle of “Quality Parts,Customers Priority,Honest Operation,and Considerate Service”,our business mainly focus on the distribution of electronic components. Line cards we deal with include Microchip,ALPS,ROHM,Xilinx,Pulse,ON,Everlight and Freescale. Main products comprise IC,Modules,Potentiometer,IC Socket,Relay,Connector.Our parts cover such applications as commercial,industrial, and automotives areas.

We are looking forward to setting up business relationship with you and hope to provide you with the best service and solution. Let us make a better world for our industry!



Contact us

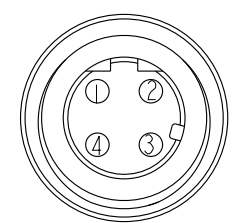
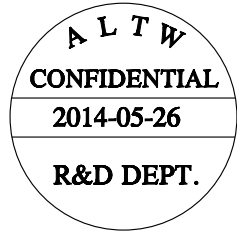
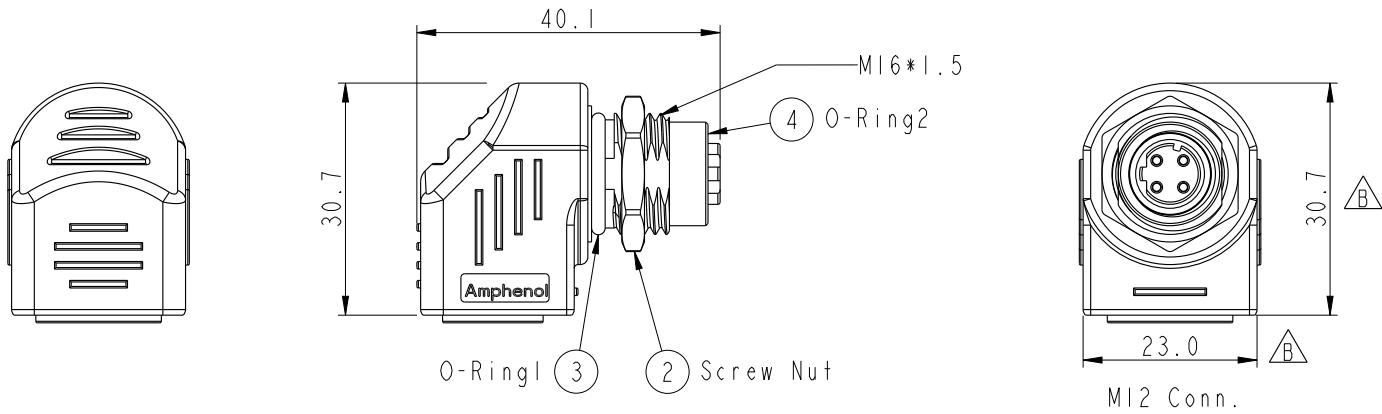
Tel: +86-755-8981 8866 Fax: +86-755-8427 6832

Email & Skype: info@chipsmall.com Web: www.chipsmall.com

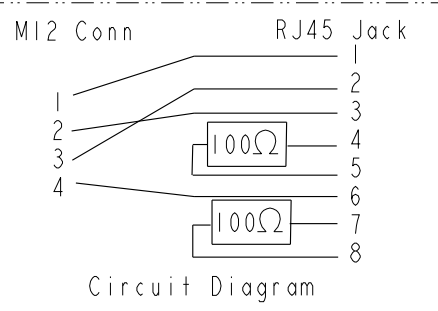
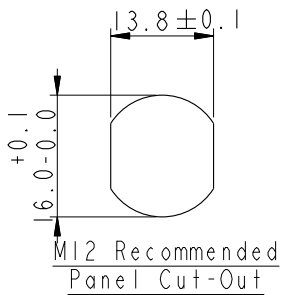
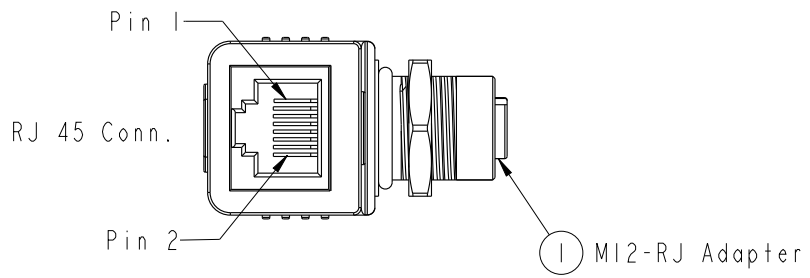
Address: A1208, Overseas Decoration Building, #122 Zhenhua RD., Futian, Shenzhen, China



REV.	ECN NO.	DATE	SIGN	DESCRIPTION
A		2013-02-06	Lu Di	Change Rev.01 To Rev.A
B	LE31350016	2013-04-22	Lu Di	Update The Dimensions & Pin Out
C	LE31460010	2014-05-26	Tony_leng	Change O-Ring



Pin Assignments
Front View



- Note:
- * ⌀ Important Dimension
 - * Waterproof Rate: IP65(MOLDING)
 - * Waterproof Rate: IP68(MI2)
(Under Water 1M 24 hours)
 - * Pin: Copper Alloy, Gold Plated
 - * Nut: Zinc Alloy, Nickel Plated
 - * Shield: Copper Alloy, Nickel Plated
 - * O-Ring1: Silicone, UL94V-0, Gray.
 - * O-Ring2: Silicone, UL94V-0, Gray.
 - * Jack: PBT, Black.
 - * Housing: Nylon+GF, Black.
 - * Panel Thickness Max: 5.0mm

UNIT: mm TOLERANCE ±0.5mm	TITLE ADAPTOR, SHIELDED M12 D CODE TO RJ45		Amphenol LTW 安費諾亮泰企業股份有限公司		ITEM NO RJS-12D04FF-RS8001	DRAWN BY Tony_leng	DATE 2014-05-26
	SCALE 1:1	SIZE A4			SHEET 1 OF 2	DWG NO RJS-12D04FF-RS8001	CHECKED BY Jimmy
	REV. C	WC-REV. B.2	⌀ Inspection item	CUSTOMER ALTW	APPROVED BY Jo-anne	DATE 2014-05-26	

THIS DOCUMENT IS SUBJECT TO CHANGE WITHOUT NOTICE. IT IS CONFIDENTIAL AND A PROPERTY OF Amphenol LTW. DISCLOSURE TO THIRD PARTY HAS TO BE AUTHORIZED BY Amphenol LTW.

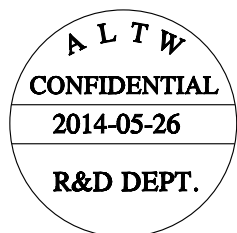
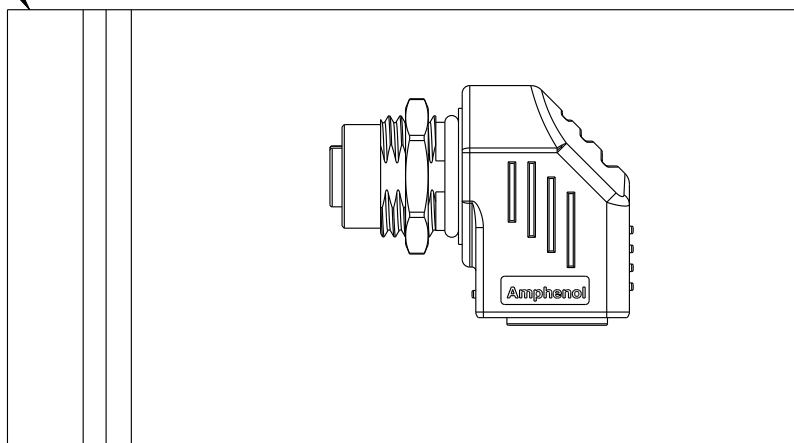
THIS DOCUMENT IS SUBJECT TO CHANGE WITHOUT NOTICE. IT IS CONFIDENTIAL AND A PROPERTY OF AMPHENOL LTW. DISCLOSURE TO THIRD PARTY HAS TO BE AUTHORIZED BY AMPHENOL LTW.

1 2 3 4 5 6 7 8

F
E
D
C
B
A

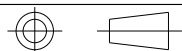
Zipper Bag

5



* 1 Product With 1 Zipper Bag

UNIT:mm



TOLERANCE
±0.5mm



TITLE ADAPTOR, SHIELDED M12 D CODE TO RJ45			
SCALE 1:1	SIZE A4	SHEET 2 OF 2	
REV. C	WC-REV. B.2	QC: Inspection item	

Amphenol LTW
安費諾亮泰企業股份有限公司

ITEM NO RJS-12D04FF-RS8001	DRAWN BY Tony_leng	DATE 2014-05-26
DWG NO RJS-12D04FF-RS8001	CHECKED BY Jimmy	DATE 2014-05-26
CUSTOMER ALTW	APPROVED BY Jo-anne	DATE 2014-05-26

1 2 3 4 5 6 7 8 FMW10702-01-02A1