



Chipsmall Limited consists of a professional team with an average of over 10 year of expertise in the distribution of electronic components. Based in Hongkong, we have already established firm and mutual-benefit business relationships with customers from,Europe,America and south Asia,supplying obsolete and hard-to-find components to meet their specific needs.

With the principle of "Quality Parts,Customers Priority,Honest Operation,and Considerate Service",our business mainly focus on the distribution of electronic components. Line cards we deal with include Microchip,ALPS,ROHM,Xilinx,Pulse,ON,Everlight and Freescale. Main products comprise IC,Modules,Potentiometer,IC Socket,Relay,Connector.Our parts cover such applications as commercial,industrial, and automotives areas.

We are looking forward to setting up business relationship with you and hope to provide you with the best service and solution. Let us make a better world for our industry!



Contact us

Tel: +86-755-8981 8866 Fax: +86-755-8427 6832

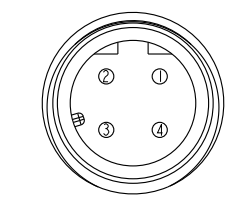
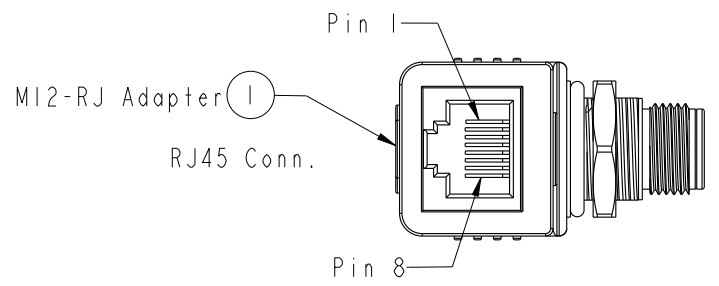
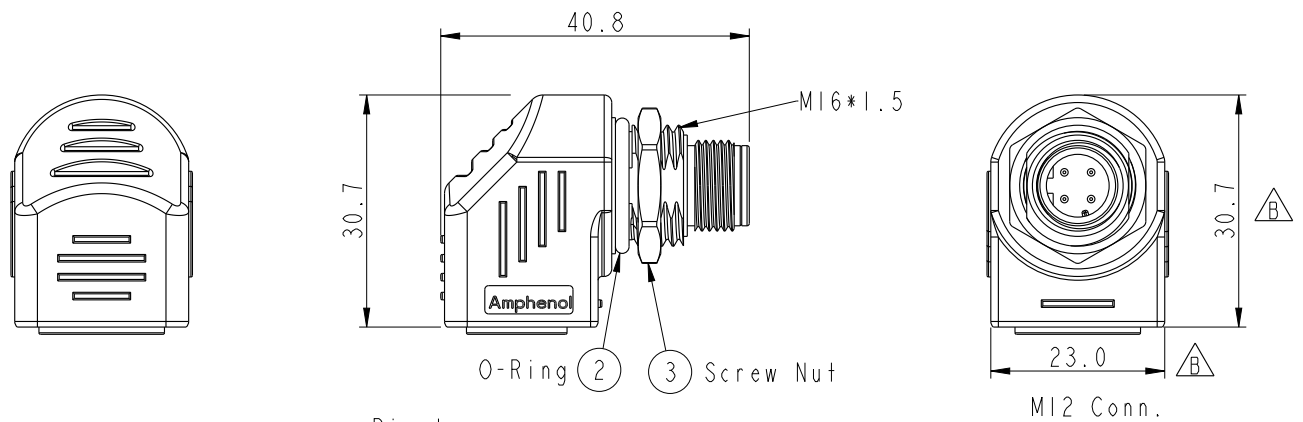
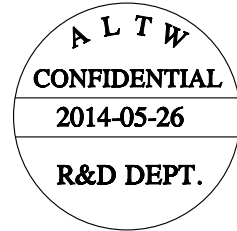
Email & Skype: info@chipsmall.com Web: www.chipsmall.com

Address: A1208, Overseas Decoration Building, #122 Zhenhua RD., Futian, Shenzhen, China

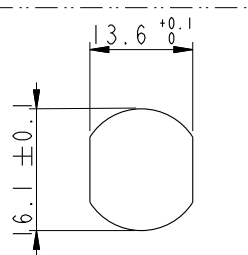


THIS DOCUMENT IS SUBJECT TO CHANGE WITHOUT NOTICE. IT IS CONFIDENTIAL AND A PROPERTY OF AMPHENOL LTW. DISCLOSURE TO THIRD PARTY HAS TO BE AUTHORIZED BY AMPHENOL LTW.

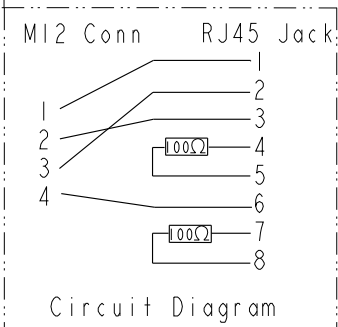
REV.	ECN NO.	DATE	SIGN	DESCRIPTION
A		2013-02-04	Lu Di	Change Rev.01 To Rev.A
B	LE31350019	2013-04-22	Lu Di	Update The Dimensions
C	LE31460012	2014-05-26	Tony_leng	Change O-Ring



Pin Assignments
Front View



M12 Recommended
Panel Cut-Out



Circuit Diagram

- Note:
- * \varnothing Important Dimension
 - * Waterproof Rate: IP65(MOLDING)
 - * Waterproof Rate: IP68(MI2)
(Under Water 1M 24 hours)
 - * Pin: Copper Alloy, Gold Plated
 - * Nut: Zinc Alloy, Nickel Plated
 - * Shield: Copper Alloy, Nickel Plated
 - * O-Ring: Silicone, UL94V-0, Gray.
 - * Jack: PBT, Black.
 - * Housing: Nylon+GF, Black.
 - * Panel Thickness Max: 5.0mm

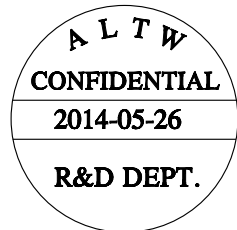
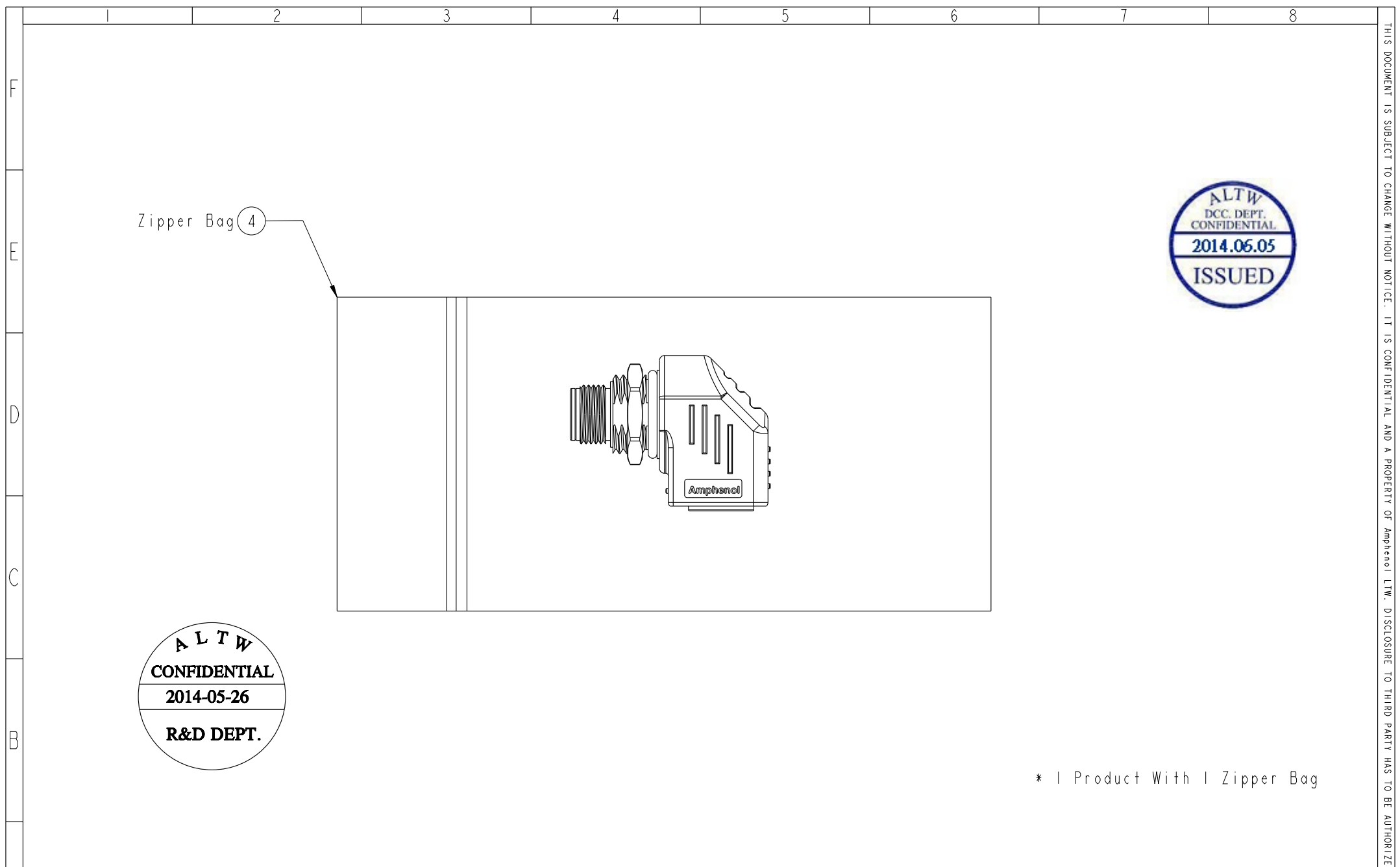
UNIT: mm	
TOLERANCE	$\pm 0.5\text{mm}$

TITLE ADAPTOR, SHIELDED M12 D CODE TO RJ45			
SCALE 1:1	SIZE A4	SHEET 1 OF 2	
REV. C	WC-REV. B.2	\varnothing Inspection item	

Amphenol LTW
安費諾亮泰企業股份有限公司

ITEM NO. RJS-12D04FM-RS8001	DRAWN BY Tony_leng	DATE 2014-05-26
DWG NO. RJS-12D04FM-RS8001	CHECKED BY Jimmy	DATE 2014-05-26
CUSTOMER ALTW	APPROVED BY Jo-anne	DATE 2014-05-26

THIS DOCUMENT IS SUBJECT TO CHANGE WITHOUT NOTICE. IT IS CONFIDENTIAL AND A PROPERTY OF Amphenol LTW. DISCLOSURE TO THIRD PARTY HAS TO BE AUTHORIZED BY Amphenol LTW.



* 1 Product With 1 Zipper Bag

A	UNIT:mm		TITLE		ITEM NO	DRAWN BY	DATE
	TOLERANCE		ADAPTOR, SHIELDED M12 D CODE TO RJ45		RJS-12D04FM-RS8001	Tony_leng	2014-05-26
	±0.5mm		SCALE	SIZE	SHEET	OF	DATE
			1:1	A4	2	2	2014-05-26
			REV.	WC-REV.	CC: Inspection item		APPROVED BY
			C	B.2			DATE
					CUSTOMER	ALTW	2014-05-26
						Jo-anne	

Amphenol LTW
安費諾亮泰企業股份有限公司