



Chipsmall Limited consists of a professional team with an average of over 10 year of expertise in the distribution of electronic components. Based in Hongkong, we have already established firm and mutual-benefit business relationships with customers from,Europe,America and south Asia,supplying obsolete and hard-to-find components to meet their specific needs.

With the principle of “Quality Parts,Customers Priority,Honest Operation,and Considerate Service”,our business mainly focus on the distribution of electronic components. Line cards we deal with include Microchip,ALPS,ROHM,Xilinx,Pulse,ON,Everlight and Freescale. Main products comprise IC,Modules,Potentiometer,IC Socket,Relay,Connector.Our parts cover such applications as commercial,industrial, and automotives areas.

We are looking forward to setting up business relationship with you and hope to provide you with the best service and solution. Let us make a better world for our industry!



Contact us

Tel: +86-755-8981 8866 Fax: +86-755-8427 6832

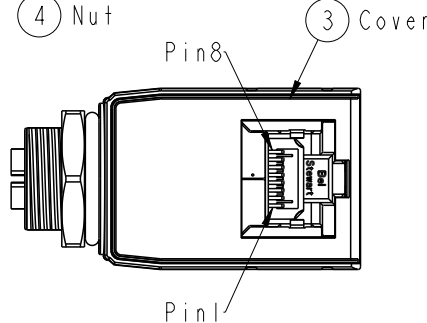
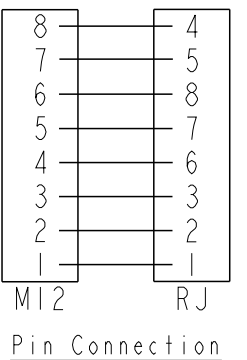
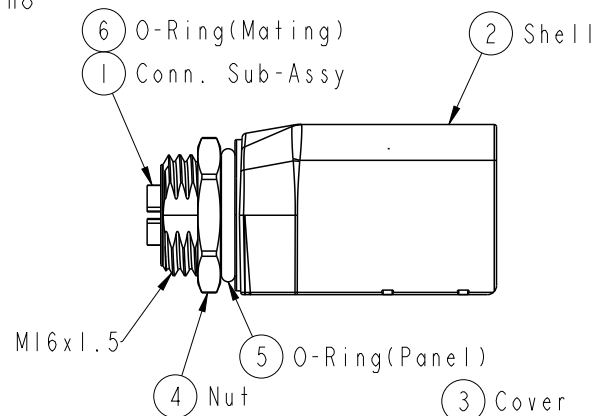
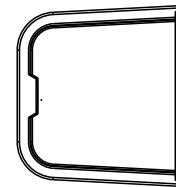
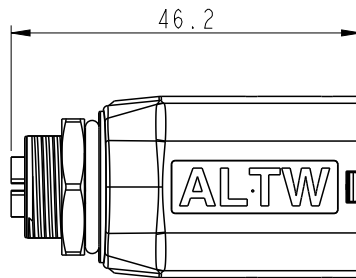
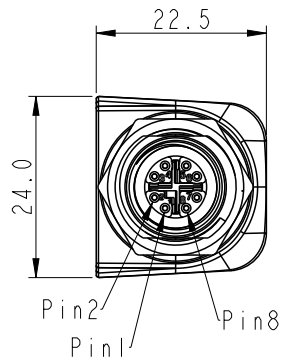
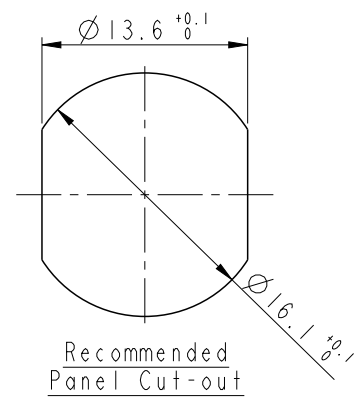
Email & Skype: info@chipsmall.com Web: www.chipsmall.com

Address: A1208, Overseas Decoration Building, #122 Zhenhua RD., Futian, Shenzhen, China



ALTW
CONFIDENTIAL
2017-11-24
R&D DEPT.

ALTW
DCC. DEPT.
CONFIDENTIAL
2017.12.12
ISSUED



Note:

- * (∅) Important Dimension to Check.
- * Waterproof Rate: IP67 Unmated (M12 side)
- * M12 Housing: Nylon+GF, Black
- * M12 Female Pin: Copper Alloy, Gold Plated
- * RJ45 Contacts: Copper Alloy, Gold Plated
- * Shell: Zinc Alloy, Nickel Plated
- * Cover: Nylon+GF, Black
- * Nut: Zinc Alloy, Nickel Plated
- * Temperature Range: -25~+85°C
- * Transmission Rate: FLUKE TIA Cat 6A Perm. Link
- * Panel Thickness Max.: 3.0mm

REV.	ECN NO.	DATE	SIGN	DESCRIPTION

UNIT: mm		
TOLERANCE		
.X	±0.25	
.XX	±0.1	
.XXX	±0.05	
ANGLES	±1°	

TITLE M12 X-code to RJ45 ADAPTER ANGLED			
SCALE 1:1	SIZE A4	SHEET 1 OF 1	
REV. A	WC-REV. A.29	∅: Inspection item	

Amphenol LTW
安費諾亮泰企業股份有限公司

ITEM NO. RJS-12X08FF-RS7001	DRAWN BY Gaotong	DATE 2017/11/24
DWG NO. RJS-12X08FF-RS7001	CHECKED BY Neo	DATE 2017/11/24
CUSTOMER ALTW	APPROVED BY Max	DATE 2017/11/24

THIS DOCUMENT IS SUBJECT TO CHANGE WITHOUT NOTICE. IT IS CONFIDENTIAL AND A PROPERTY OF Amphenol LTW. DISCLOSURE TO THIRD PARTY HAS TO BE AUTHORIZED BY Amphenol LTW.