



Chipsmall Limited consists of a professional team with an average of over 10 year of expertise in the distribution of electronic components. Based in Hongkong, we have already established firm and mutual-benefit business relationships with customers from,Europe,America and south Asia,supplying obsolete and hard-to-find components to meet their specific needs.

With the principle of "Quality Parts,Customers Priority,Honest Operation,and Considerate Service",our business mainly focus on the distribution of electronic components. Line cards we deal with include Microchip,ALPS,ROHM,Xilinx,Pulse,ON,Everlight and Freescale. Main products comprise IC,Modules,Potentiometer,IC Socket,Relay,Connector.Our parts cover such applications as commercial,industrial, and automotives areas.

We are looking forward to setting up business relationship with you and hope to provide you with the best service and solution. Let us make a better world for our industry!



## Contact us

Tel: +86-755-8981 8866 Fax: +86-755-8427 6832

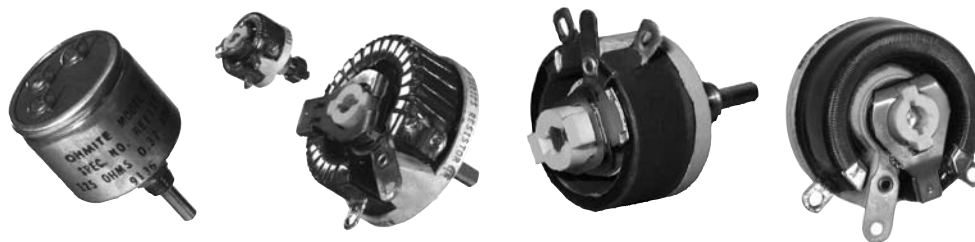
Email & Skype: info@chipsmall.com Web: www.chipsmall.com

Address: A1208, Overseas Decoration Building, #122 Zhenhua RD., Futian, Shenzhen, China



# Rheostats

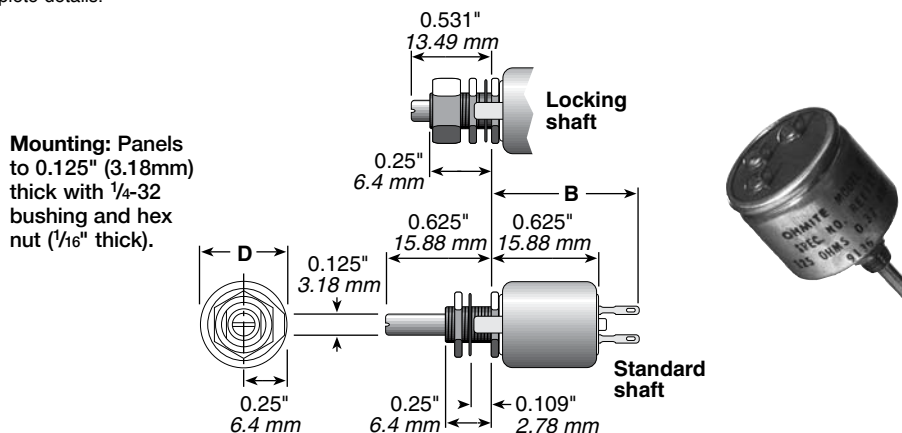
## (Potentiometers) Wirewound



### MODEL C

Model Type	Watts	Ohmic range	Core	Max. Voltage (RMS)*	Behind panel "B" (in./mm Ref.)	Diameter "D" (in./mm Ref.)	Dimension "C" (in./mm Ref.)	Shaft torque	Rotation (±5°)
C RCS/RCL	7.5	10.0-5K	enclosed	305	0.875/22.23	0.515/ 13.08	—	0.25-3 oz. in.	300°

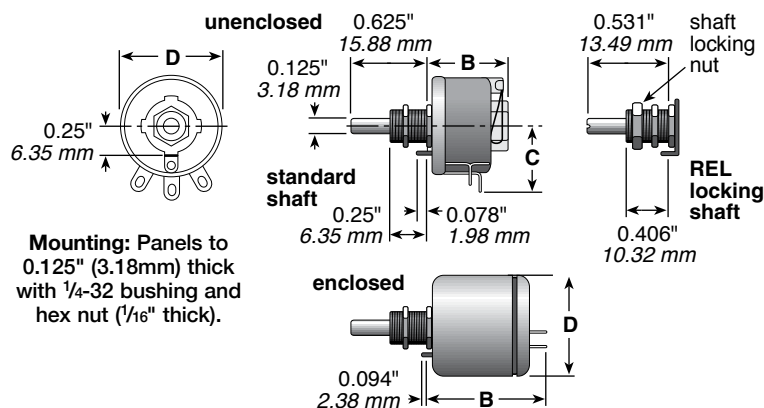
• See Catalog #203 for complete details.



### MODEL E

Model Type	Watts	Ohmic range	Core	Max. Voltage (RMS)*	Behind panel "B" (in./mm Ref.)	Diameter "D" (in./mm Ref.)	Dimension "C" (in./mm Ref.)	Shaft torque	Rotation (±5°)
E RES/REL	12.5	1.0-15K	open	305	0.688/17.46	0.875/ 22.23	0.594/15.08	1-6 oz. in.	300°
E REE	12.5	1.0-15K	enclosed	305	1.219/30.96	1.047/ 26.59	—	1-6 oz. in.	300°

• See Catalog #203 for complete details.



Dimensions for reference only; consult factory for details.

Since all rheostats/potentiometers are electro-mechanical devices, they are subject to mechanical wear and, therefore, have a finite life.

Models H, J, K, L and N are listed under UL File No. E-10946 and CSA File No. 21309 unless noted otherwise.

All rheostats are 10% tolerance.

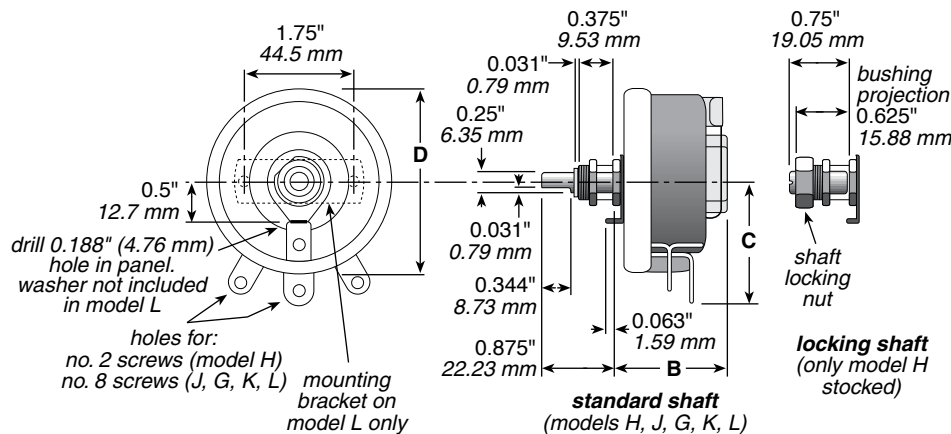
# Rheostats

## (Potentiometers) Wirewound

### MODELS H, J, G, K, L

Model	Type	Watts	Ohmic range	Core	Max. Voltage (RMS)*	Behind panel "B" (in./mm Ref.)	Diameter "D" (in./mm Ref.)	Dimension "C" (in./mm Ref.)	Shaft torque	Rotation (±5°)
H	RHS/RHL	25	1.0-25K	open	500	1.375/34.93	1.560/ 39.62	0.940/23.88	0.25-0.5 lb. in.	300°
J	RJS	50	0.5-50K	open	750	1.375/34.93	2.31 / 58.67	1.56 /39.62	0.25-2 lb. in.	300°
G	RGS	75	0.5-50K	open	900	1.750/44.45	2.75 / 69.25	1.78 /45.21	0.5-2 lb. in.	300°
K	RKS	100	0.5-50K	open	1000	1.750/44.45	3.125/ 79.38	1.91 /48.51	0.5-2 lb. in.	300°
L	RLS	150	0.5-50K	open	1200	2.000 / 50.8	4.00 /101.60	2.28 /57.91	0.5-3 lb. in.	300°

- Models H, J, G, and K also available in enclosed versions.
- See Catalog #203 for complete details.

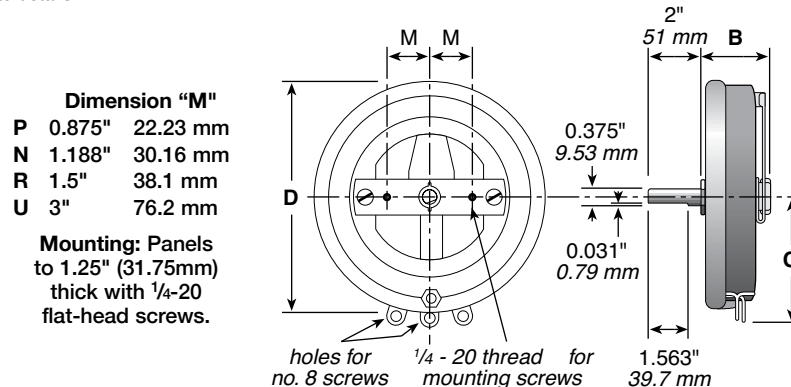


**Mounting:** Panels to 0.25" (6.35mm) thick with  $\frac{3}{8}$ -32 bushing and hex nut ( $\frac{3}{32}$ " thick) (or with 10-32 x 0.75 flat-head screws for model L only).

### MODELS P, N, R, U

Model	Type	Watts	Ohmic range	Core	Max. Voltage (RMS)*	Behind panel "B" (in./mm Ref.)	Diameter "D" (in./mm Ref.)	Dimension "C" (in./mm Ref.)	Shaft torque	Rotation (±5°)
P	RPS	225	1.0-30K	open	1300	2.125/53.98	5.00 /127.00	2.97 /75.44	2.5-4 lb. in.	310°
N	RNS	300	1.0-50K	open	1225	2.375/60.33	6.00 /152.40	3.44 /87.38	2.5-5 lb. in.	320°
R	RRS	500	1.0-20K	open	1450	2.125/53.98	8.00 /203.20	4.31/109.47	4.5-7 lb. in.	325°
U	RUS	1000	1.0-20K	open	1600	3.000 / 76.2	12.00 /304.80	6.38/162.05	3.5-7 lb. in.	335°

- See Catalog #203 for complete details.



(continued)

# Rheostats

## (Potentiometers) Wirewound

### ORDERING INFORMATION

Code	Watts	Model	Shaft	Core
CL =	7.5	C	Locking	Enclosed
CS =	7.5	J	Standard	Enclosed
EE =	12.5	C	Standard	Enclosed
EL =	12.5	H	Locking	Open
ES =	12.5	C	Standard	Open
GS =	75	C	Standard	Open
HL =	25	H	Locking	Open
HS =	25	C	Standard	Open
JS =	50	H	Standard	Open
KS =	100	K	Standard	Open
LS =	150	K	Standard	Open
NS =	300	N	Standard	Open
PS =	225	P	Standard	Open
RS =	500	R	Standard	Open
US =	1000	U	Standard	Open



Resistance Value\*

Example:  
 R50 = 0.50Ω  
 1R0 = 1Ω  
 7R5 = 7.5Ω  
 250 = 250Ω  
 1K0 = 1,000Ω  
 1K75 = 1,750Ω  
 4K5 = 4,500Ω  
 50K = 50,000Ω

- RoHS compliant product available. Add "E" suffix to part number to specify.
- Made-to-order rheostats available: Contact nearest Ohmite sales office.
- \* Voltage rating dependent on resistance value.

\*Check table for standard resistance values and maximum current values

Ohmic value	Part No. Prefix Suffix	7.5W Model C			12.5W Model E			25W Model H			50W Model J	75W Model G	100W Model K	150W Model L	225W Model P	300W Model N	500W Model R	1000W Model U											
		RCS	RCL	Amps max.	RES	REL	REE	Amps max.	RHS	RHL	Amps max.	RJS	Amps max.	RGS	Amps max.	RKS	Amps max.	RLS	Amps max.	RPS	Amps max.	RNS	Amps max.	RRS	Amps max.	RUS	Amps max.		
0.5	—R50				✓	✓	✓	3.53	✓	✓	5.00	✓	✓	12.3	✓	✓	17.3	✓	✓	15.0	✓	✓	17.32	✓	✓	22.3	✓	✓	31.6
1	—1R0				✓	✓	✓	3.53	✓	✓	5.00	✓	✓	8.66	✓	✓	12.3	✓	✓	15.0	✓	✓	17.32	✓	✓	18.2	✓	✓	25.8
1.5	—1R5				✓	✓	✓	3.53	✓	✓	5.00	✓	✓	6.12	✓	✓	7.07	✓	✓	10.6	✓	✓	12.24	✓	✓	15.8	✓	✓	22.4
2	—2R0				✓	✓	✓	2.50	✓	✓	3.54	✓	✓	7.07	✓	✓	8.65	✓	✓	10.6	✓	✓	12.24	✓	✓	14.1	✓	✓	20.0
2.5	—2R5				✓	✓	✓	2.24	✓	✓	2.88	✓	✓	5.00	✓	✓	5.75	✓	✓	8.66	✓	✓	10.00	✓	✓	12.9	✓	✓	18.3
3	—3R0				✓	✓	✓	2.04	✓	✓	2.88	✓	✓	5.00	✓	✓	5.75	✓	✓	8.66	✓	✓	10.00	✓	✓	11.2	✓	✓	15.8
4	—4R0				✓	✓	✓	1.58	✓	✓	2.04	✓	✓	3.88	✓	✓	4.47	✓	✓	5.48	✓	✓	6.71	✓	✓	7.75	✓	✓	14.1
5	—5R0				✓	✓	✓	1.44	✓	✓	2.04	✓	✓	3.16	✓	✓	3.65	✓	✓	4.47	✓	✓	5.49	✓	✓	6.32	✓	✓	14.1
6	—6R0				✓	✓	✓	1.25	✓	✓	1.77	✓	✓	2.50	✓	✓	2.50	✓	✓	5.49	✓	✓	6.32	✓	✓	7.90	✓	✓	11.2
7.5	—7R5				✓	✓	✓	1.12	✓	✓	1.58	✓	✓	2.74	✓	✓	3.16	✓	✓	4.74	✓	✓	5.48	✓	✓	7.90	✓	✓	10.0
8	—8R0	✓	✓	0.86	✓	✓	✓	1.12	✓	✓	1.58	✓	✓	2.04	✓	✓	2.04	✓	✓	4.74	✓	✓	5.48	✓	✓	6.30	✓	✓	8.95
10	—10R	✓	✓	0.86	✓	✓	✓	0.91	✓	✓	1.29	✓	✓	1.76	✓	✓	1.50	✓	✓	3.88	✓	✓	4.74	✓	✓	5.48	✓	✓	10.0
12	—12R	✓	✓	0.71	✓	✓	✓	0.91	✓	✓	1.29	✓	✓	2.17	✓	✓	2.50	✓	✓	3.88	✓	✓	4.74	✓	✓	6.30	✓	✓	8.95
12.5	—12R5	✓	✓	0.71	✓	✓	✓	0.91	✓	✓	1.29	✓	✓	2.17	✓	✓	2.50	✓	✓	3.88	✓	✓	4.74	✓	✓	6.30	✓	✓	8.95
15	—15R	✓	✓	0.71	✓	✓	✓	0.91	✓	✓	1.29	✓	✓	2.17	✓	✓	2.50	✓	✓	3.88	✓	✓	4.74	✓	✓	6.30	✓	✓	8.95
16	—16R				✓	✓	✓	0.71	✓	✓	1.00	✓	✓	1.73	✓	✓	2.0	✓	✓	3.00	✓	✓	3.46	✓	✓	4.47	✓	✓	6.33
22	—22R				✓	✓	✓	0.60	✓	✓	0.845	✓	✓	1.19	✓	✓	1.19	✓	✓	3.00	✓	✓	3.46	✓	✓	4.47	✓	✓	6.33
25	—25R	✓	✓	0.55	✓	✓	✓	0.71	✓	✓	1.00	✓	✓	1.73	✓	✓	2.0	✓	✓	3.00	✓	✓	3.46	✓	✓	4.47	✓	✓	6.33
35	—35R	✓	✓	0.46	✓	✓	✓	0.60	✓	✓	0.845	✓	✓	1.19	✓	✓	1.19	✓	✓	3.00	✓	✓	3.46	✓	✓	4.47	✓	✓	6.33
40	—40R				✓	✓	✓	0.60	✓	✓	0.845	✓	✓	1.19	✓	✓	1.19	✓	✓	3.00	✓	✓	3.46	✓	✓	4.47	✓	✓	6.33
50	—50R	✓	✓	0.39	✓	✓	✓	0.50	✓	✓	0.707	✓	✓	1.00	✓	✓	1.23	✓	✓	2.450	✓	✓	2.450	✓	✓	3.54	✓	✓	4.47
75	—75R	✓	✓	0.32	✓	✓	✓	0.40	✓	✓	0.575	✓	✓	1.00	✓	✓	1.23	✓	✓	2.450	✓	✓	2.450	✓	✓	3.54	✓	✓	4.47
80	—80R				✓	✓	✓	0.40	✓	✓	0.575	✓	✓	1.00	✓	✓	1.23	✓	✓	2.450	✓	✓	2.450	✓	✓	3.54	✓	✓	4.47
100	—100	✓	✓	0.27	✓	✓	✓	0.36	✓	✓	0.500	✓	✓	1.00	✓	✓	1.23	✓	✓	2.450	✓	✓	2.450	✓	✓	3.54	✓	✓	4.47
125	—125	✓	✓	0.27	✓	✓	✓	0.36	✓	✓	0.500	✓	✓	1.00	✓	✓	1.23	✓	✓	2.450	✓	✓	2.450	✓	✓	3.54	✓	✓	4.47
125	—125	✓	✓	0.27	✓	✓	✓	0.32	✓	✓	0.445	✓	✓	1.00	✓	✓	1.23	✓	✓	2.450	✓	✓	2.450	✓	✓	3.54	✓	✓	4.47
150	—150	✓	✓	0.22	✓	✓	✓	0.29	✓	✓	0.445	✓	✓	1.00	✓	✓	1.23	✓	✓	2.450	✓	✓	2.450	✓	✓	3.54	✓	✓	4.47
160	—160				✓	✓	✓	0.29	✓	✓	0.445	✓	✓	1.00	✓	✓	1.23	✓	✓	2.450	✓	✓	2.450	✓	✓	3.54	✓	✓	4.47
175	—175				✓	✓	✓	0.27	✓	✓	0.375	✓	✓	1.00	✓	✓	1.23	✓	✓	2.450	✓	✓	2.450	✓	✓	3.54	✓	✓	4.47
200	—200	✓	✓	0.19	✓	✓	✓	0.25	✓	✓	0.375	✓	✓	1.00	✓	✓	1.23	✓	✓	2.450	✓	✓	2.450	✓	✓	3.54	✓	✓	4.47
225	—225				✓	✓	✓	0.25	✓	✓	0.375	✓	✓	1.00	✓	✓	1.23	✓	✓	2.450	✓	✓	2.450	✓	✓	3.54	✓	✓	4.47
250	—250	✓	✓	0.17	✓	✓	✓	0.22	✓	✓	0.316	✓	✓	1.00	✓	✓	1.23	✓	✓	2.450	✓	✓	2.450	✓	✓	3.54	✓	✓	4.47
300	—300				✓	✓	✓	0.22	✓	✓	0.316	✓	✓	1.00	✓	✓	1.23	✓	✓	2.450	✓	✓	2.450	✓	✓	3.54	✓	✓	4.47
325	—325				✓	✓	✓	0.22	✓	✓	0.316	✓	✓	1.00	✓	✓	1.23	✓	✓	2.450	✓	✓	2.450	✓	✓	3.54	✓	✓	4.47
350	—350	✓	✓	0.15	✓	✓	✓	0.19	✓	✓	0.267	✓	✓	1.00	✓	✓	1.23	✓	✓	2.450	✓	✓	2.450	✓	✓	3.54	✓	✓	4.47
400	—400				✓	✓	✓	0.19	✓	✓	0.267	✓	✓	1.00	✓	✓	1.23	✓	✓	2.450	✓	✓	2.450	✓	✓	3.54	✓	✓	4.47
500	—500	✓	✓	0.12	✓	✓	✓	0.16	✓	✓	0.222	✓	✓	1.00	✓	✓	1.23	✓	✓	2.450	✓	✓	2.450	✓	✓	3.54	✓	✓	4.47
600	—600				✓	✓	✓	0.16	✓	✓	0.222	✓	✓	1.00	✓	✓	1.23	✓	✓	2.450	✓	✓	2.450	✓	✓	3.54	✓	✓	4.47
700	—700				✓	✓	✓	0.16	✓	✓	0.222	✓	✓	1.00	✓	✓	1.23	✓	✓	2.450	✓	✓	2.450	✓	✓	3.54	✓	✓	4.47
750	—750	✓	✓	0.10	✓	✓	✓	0.13	✓	✓	0.182	✓	✓	1.00	✓	✓	1.23	✓	✓	2.450	✓	✓	2.450	✓	✓	3.54	✓	✓	4.47
800	—800				✓	✓	✓	0.13	✓	✓	0.182	✓	✓	1.00	✓	✓	1.23	✓	✓	2.450	✓	✓	2.450	✓	✓	3.54	✓	✓	4.47
900	—900				✓	✓	✓	0.13	✓	✓	0.182	✓	✓	1.00	✓	✓	1.23	✓	✓	2.450	✓	✓	2.450	✓	✓	3.54	✓	✓	4.47
1000	—1K0	✓	✓	0.086	✓	✓	✓	0.10	✓	✓	0.155	✓	✓	1.00	✓	✓	1.23	✓	✓	2.450	✓	✓	2.450	✓	✓	3.54	✓	✓	4.47
1200	—1K2				✓	✓	✓	0.10	✓	✓	0.155	✓	✓	1.00	✓	✓													