



Chipsmall Limited consists of a professional team with an average of over 10 year of expertise in the distribution of electronic components. Based in Hongkong, we have already established firm and mutual-benefit business relationships with customers from,Europe,America and south Asia,supplying obsolete and hard-to-find components to meet their specific needs.

With the principle of “Quality Parts,Customers Priority,Honest Operation,and Considerate Service”,our business mainly focus on the distribution of electronic components. Line cards we deal with include Microchip,ALPS,ROHM,Xilinx,Pulse,ON,Everlight and Freescale. Main products comprise IC,Modules,Potentiometer,IC Socket,Relay,Connector.Our parts cover such applications as commercial,industrial, and automotives areas.

We are looking forward to setting up business relationship with you and hope to provide you with the best service and solution. Let us make a better world for our industry!



## Contact us

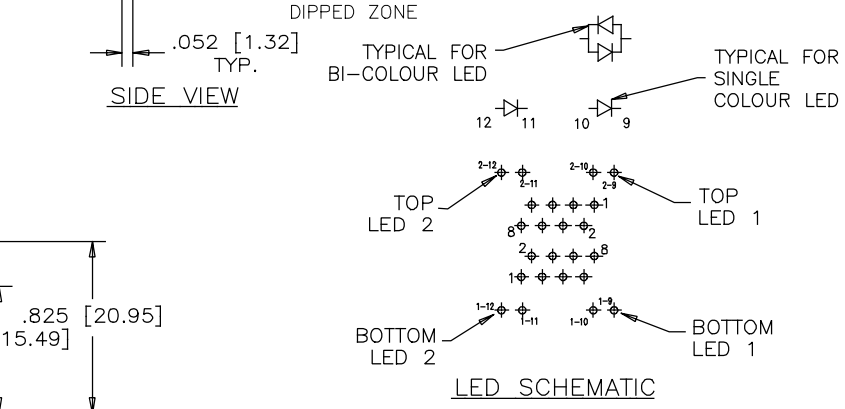
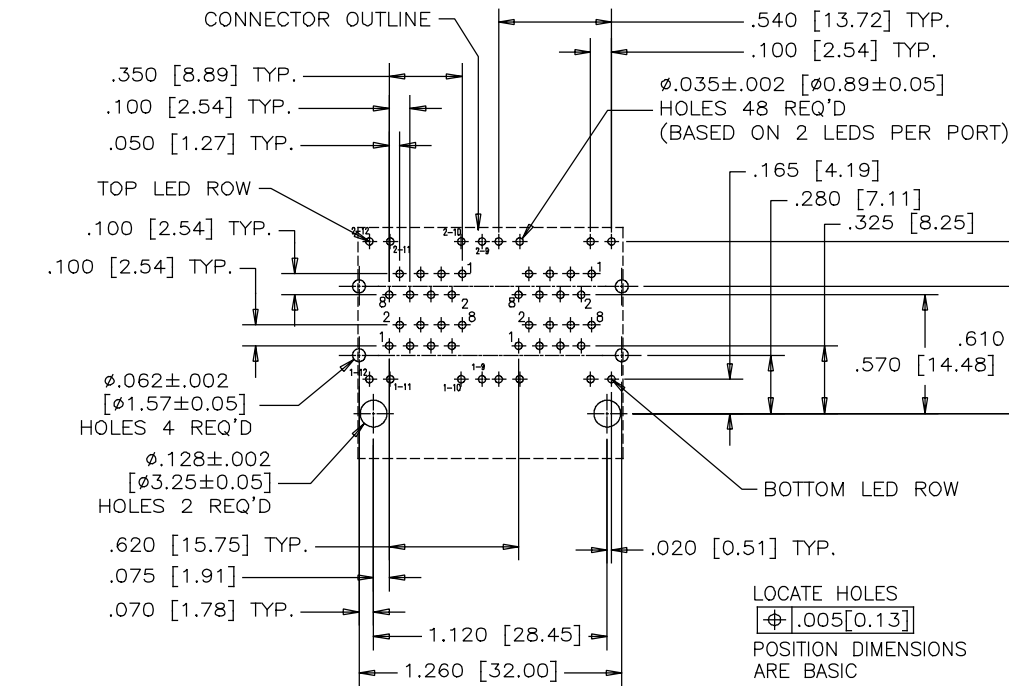
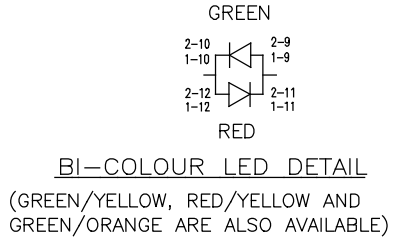
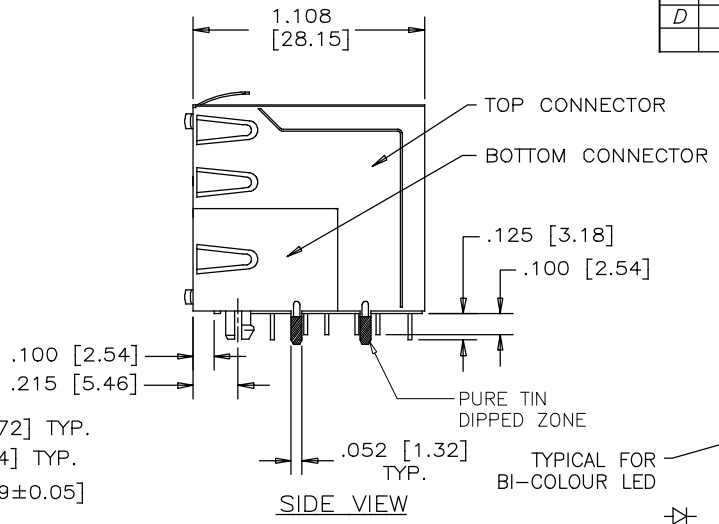
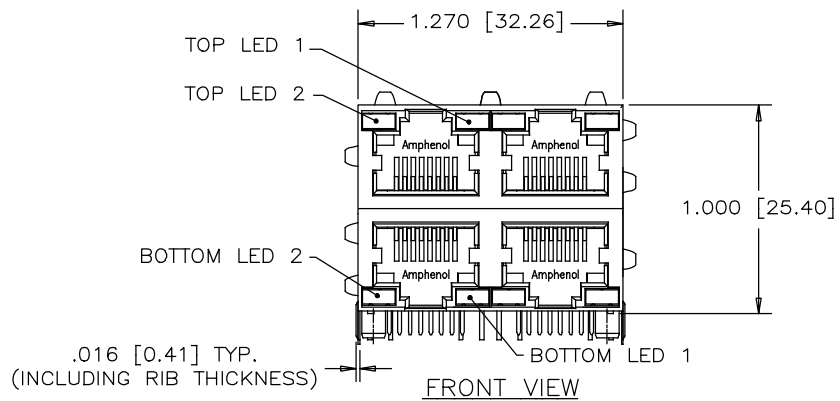
Tel: +86-755-8981 8866 Fax: +86-755-8427 6832

Email & Skype: info@chipsmall.com Web: www.chipsmall.com

Address: A1208, Overseas Decoration Building, #122 Zhenhua RD., Futian, Shenzhen, China

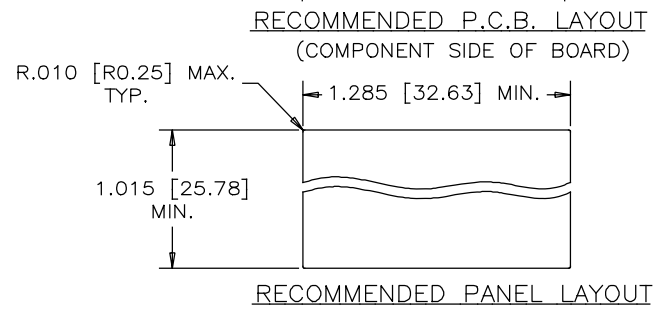


REVISIONS			
REV	DESCRIPTION, ECN, EAR NO.	DATE	APP'D
C	PROPOSAL	NOV 16/06	L.CHAN
D	ADD NEW LED OPTION	FEB 09/17	L.CHAN



**MATERIALS:**  
**HOUSING:** HIGH TEMPERATURE THERMOPLASTIC. FLAMMABILITY RATING UL 94V-0  
**CONTACTS:** PHOSPHOR BRONZE  
 PLATING: 50µ" [1.27 MICRONS] MIN. GOLD OVER MATING SURFACES. 50µ" [1.27 MICRONS] MIN. NICKEL UNDERPLATE. 100µ" MIN. MATTE TIN OR GOLD FLASH ON CONTACT AILS.  
**SHIELD:** COPPER ALLOY  
 PLATING: NICKEL WITH PURE-TIN DIPPED TAILS.

**PART NUMBER:** RJSAE-538X-04X  
 REFER TO LED OPTIONS DRAWING FOR ORDERING CODES



RECOMMENDED PANEL LAYOUT

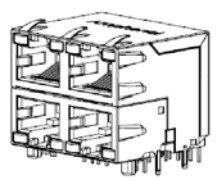


UNLESS SPECIFIED OTHERWISE	DRAWN CHIGOW	DATE NOV.16/06
PRIMARY UNITS INCH	CHECKED LAWRENCE C	NOV.16/06
SECONDARY MILLIMETER	M.E. APP'D	
REFERENCE IN PARENTHESES	Q.A. APP'D	
GENERAL TOLERANCES	DWG APPR.	
1 DECIMAL PLACE ±0.025	ENG. REL. NO.	
2 DECIMAL PLACES ±0.020	REF.	
3 DECIMAL PLACES ±0.015		
ANGULAR DEGREES ±1.0°	THIRD ANGLE PROJECTION	DO NOT SCALE DRAWING

<b>Amphenol Canada Corp.</b> www.amphenolcanada.com	
TITLE	STACKABLE MULTI-PORT MODULAR JACK, SHIELDED, 4 PORTS, 2 PIECE CONSTRUCTION(8 POSITION, 8 CONTACTS, WITH LEDS) - RoHS COMPLIANT
DWG. NO.	P-RJSAE-538X-04X
CODE ID NO.	03554
DWG SIZE:	C
SCALE:	N/A
SHEET	1 OF 2

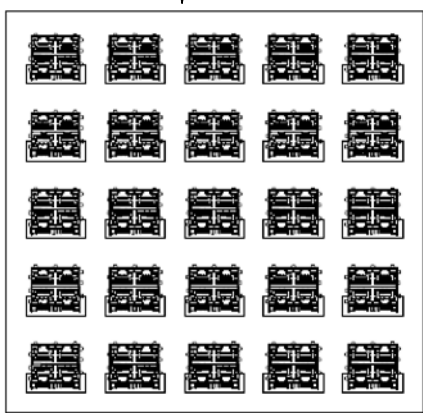


REVISIONS			
REV	DESCRIPTION, ECN, EAR NO.	DATE	APP'D
C	PROPOSAL	NOV 16/06	L.CHAN
D	ADD NEW LED OPTION	FEB 09/17	L.CHAN



CONNECTOR

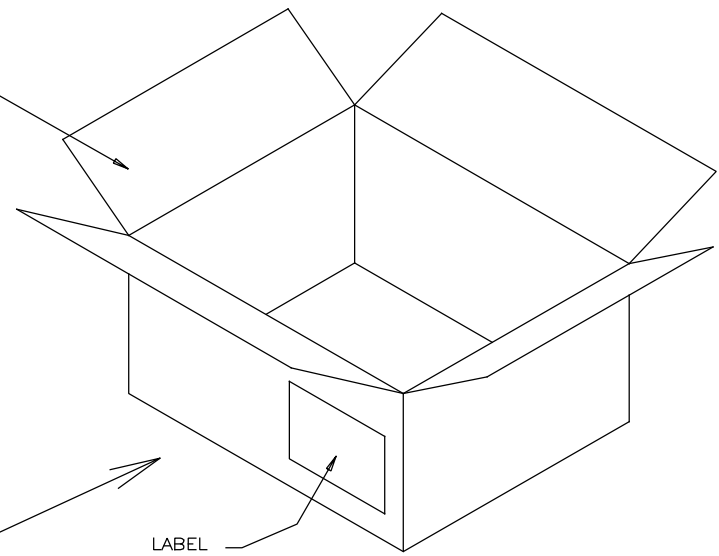
CONNECTOR PLACE INTO FOAM



25PCS CONNECTOR PER FOAM

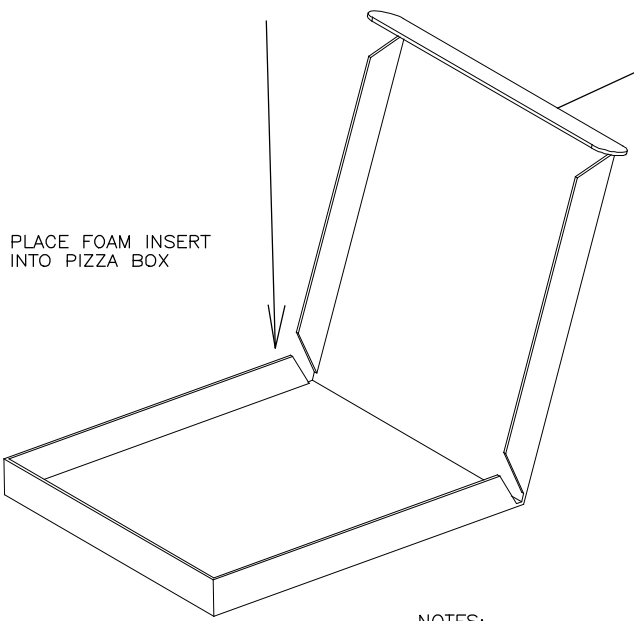


6 PIZZA BOX IN CARTON

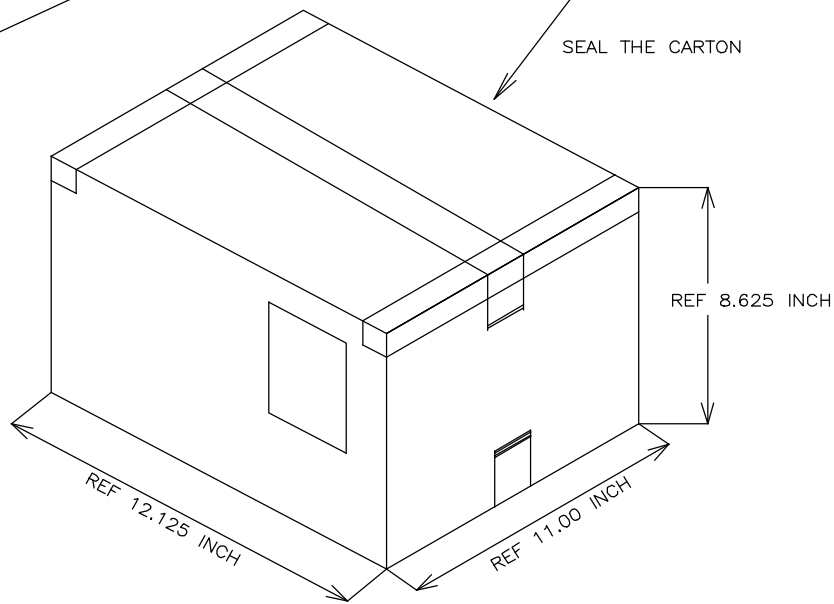


LABEL

SEAL THE CARTON



PLACE FOAM INSERT INTO PIZZA BOX



- NOTES:
- PACAKING QUANTITY
  1. 25PCS PER FOAM
  2. 6 PCS PIZZA BOX PER CARTON
  - 150 PCS CONNECTORS PER CARTON

UNLESS SPECIFIED OTHERWISE	DRAWN CHIGOW	DATE NOV.16/06
PRIMARY UNITS INCH	CHECKED LAWRENCE C	NOV.16/06
SECONDARY MILLIMETER	M.E. APP'D	
REFERENCE IN PARENTHESES	Q.A. APP'D	
GENERAL TOLERANCES	DWG APPR.	
1 DECIMAL PLACE ±0.025	ENG. REL. NO.	
2 DECIMAL PLACES ±0.020	REF.	
3 DECIMAL PLACES ±0.015	THIRD ANGLE PROJECTION	DO NOT SCALE DRAWING
ANGULAR DEGREES ±1.0°		

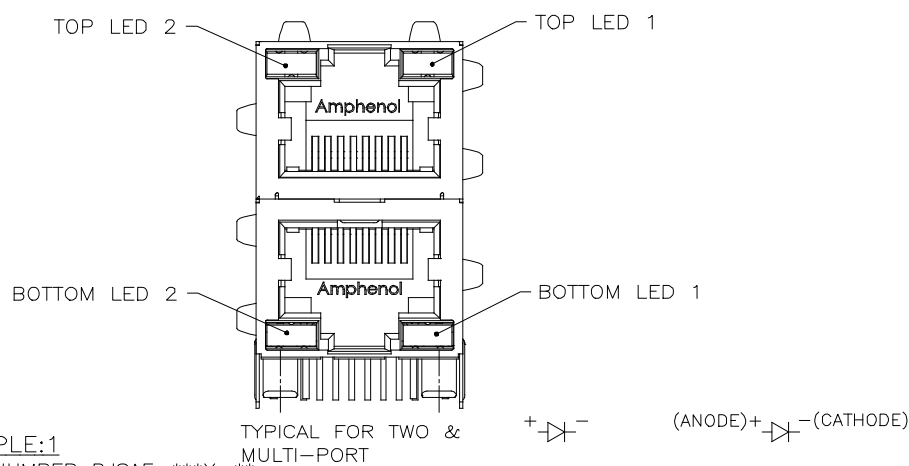
**Amphenol Canada Corp.**  
www.amphenolcanada.com

TITLE STACKABLE MULTI-PORT MODULAR JACK, SHIELDED, 4 PORTS, 2 PIECE CONSTRUCTION(8 POSITION, 8 CONTACTS, WITH LEDS) - RoHS COMPLIANT

DWG. NO. P-RJSAE-538X-04X

CODE ID NO. 03554 DWG SIZE: C SCALE: N/A SHEET 2 OF 2

REVISIONS			
REV	DESCRIPTION, ECN, EAR NO.	DATE	APP'D
H	PROPOSAL	JUL 04/12	L.CHAN
J	PROPOSAL	MAR 03/14	L.CHAN
K	ADD NEW COLOR OPTION	FEB 09/17	L.CHAN



**LED SPECIFICATIONS:**  
 FORWARD VOLTAGE: 2.1 VOLTS TYP.  
 REVERSE VOLTAGE: 5.0 VOLTS MIN.  
 LUMINOUS INTENSITY: 0.5 mCd MIN.  
 (AT If=2mA)  
 STORAGE TEMPERATURE: -20° TO 85° C  
 PLATING ON TAILS: TIN OR TIN/COPPER ALLOY OVER SILVER

PRIMARY COLOR FOR BI-COLOR  
 LEDS IN STANDARD ANODE/  
 CATHODE CONFIGURATION IS:  
 RED-GREEN= RED  
 RED-YELLOW= RED  
 GREEN-YELLOW= GREEN  
 GREEN-ORANGE= GREEN



**LEGEND**  
 BiC=BI-COLOR LED  
 LOWC=LOW CURRENT LED  
 YE=YELLOW  
 GR=GREEN  
 RD=RED  
 OR=ORANGE

**NOTES:**  
 1. THE TWO DIGITS PRECEDING THE ADDITIONAL LED CODE MUST BE USED IN THE PART NUMBER, WHEN ORDERING ANY OF THE ADDITIONAL LED OPTIONS.  
 2. '\*' REPRESENT DIFFERENT OPTION OF CONNECTOR, DETAIL OPTION PLEASE SEE RELEVANT CONNECTOR DRAWING.

**EXAMPLE:1**  
 PART NUMBER RJS AE-\*\*\*X-\*\*

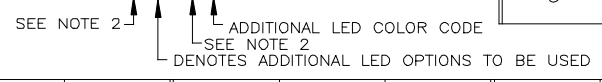


**EXAMPLE:2**  
 PART NUMBER RJS AE-\*\*\*U-\*\*-XX



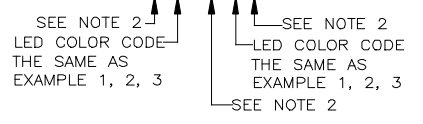
CODE	LED 2 (LEFT)	LED 1 (RIGHT)	CODE	LED 2 (LEFT)	LED 1 (RIGHT)	CODE	LED 2 (LEFT)	LED 1 (RIGHT)
0	BLOCKED	BLOCKED	9	GREEN	BLOCKED	J	BiC RD/GR	YELLOW
1	YELLOW	GREEN	A	BiC GR/YE	BiC GR/YE	K	YELLOW	BiC GR/OR
2	BLOCKED	GREEN	B	BiC RD/GR	BiC RD/GR	L	BiC GR/YE	RED
3	YELLOW	BLOCKED	C	BiC RD/GR	BiC GR/YE	M	RED	YELLOW
4	GREEN	YELLOW	D	GREEN	BiC GR/YE	N	BiC GR/RD	BiC GR/YE
5	GREEN	GREEN	E	YELLOW	BiC GR/YE	P	GREEN	BiC RD/GR
6	YELLOW	YELLOW	F	BiC GR/YE	YELLOW	R	BiC GR/OR	GREEN
7	RED	GREEN	G	BiC GR/OR	BiC GR/OR	T	RED	RED
8	GREEN	RED	H	BiC GR/YE	GREEN	V	BiC RD/GR	GREEN
						W	ADDITIONAL OPTIONS	
						U	SPECIAL CODE FOR TOP & BOTTOM LEDS CONFIGURATION	

**EXAMPLE:3**  
 PART NUMBER RJS AE-\*\*\*W-\*\*X



CODE	LED 2 (LEFT)	LED 1 (RIGHT)	CODE	LED 2 (LEFT)	LED 1 (RIGHT)	CODE	LED 2 (LEFT)	LED 1 (RIGHT)
0	DO NOT USE		5	BLOCKED	YELLOW	A	LOWC YE	LOWC YE
1	RED	BLOCKED	6	RED	BiC RD/GR	B	LOWC YE	LOWC GR
2	BiC GR/OR	YELLOW	7			C	LOWC GR	LOWC YE
3	YELLOW	RED	8	BiC RD/GR	BLOCKED	D	LOWC GR	LOWC GR
4	BLOCKED	RED	9	BiC GR/YE	BLOCKED	M	LOWC RD	LOWC YE
						N	GREEN	BiC GR/OR
						E	GREEN	ORANGE
						F	ORANGE	GREEN
						G	BiC YE/GR	BiC YE/GR
						P	BiC RD/YE	GREEN
						R	BiC RD/YE	BiC RD/YE
						T	BiC GR/YE	BiC RD/GR
						H	BLUE	RED

**EXAMPLE:4**  
 PART NUMBER RJS AE-\*\*\*X-\*\*XX\*



THIS DOCUMENT CONTAINS PROPRIETARY INFORMATION AND SUCH INFORMATION MAY NOT BE DISCLOSED TO OTHERS FOR ANY PURPOSE OR USED FOR MANUFACTURING PURPOSES WITHOUT WRITTEN PERMISSION FROM AMPHENOL CANADA CORP.

UNLESS SPECIFIED OTHERWISE	DRAWN PAUL WANG	DATE JUL 22/05	Amphenol Canada Corp. www.amphenolcanada.com
PRIMARY UNITS	CHECKED LAWRENCE C.	JUL 22/05	
SECONDARY	M.E. APP'D		TITLE
REFERENCE IN PARENTHESES	Q.A. APP'D		LED OPTIONS FOR RJS AE, MULTI-PORT CONNECTORS - RoHS COMPLIANT
GENERAL TOLERANCES	DWG APPR.		DWG. NO.
1 DECIMAL PLACE	ENG. REL. NO.		P-RJS AE-LEDS
2 DECIMAL PLACES	REF.		REV
3 DECIMAL PLACES	THIRD ANGLE PROJECTION	DO NOT SCALE DRAWING	K
ANGULAR DEGREES			CODE ID NO. 03554 DWG SIZE: C SCALE: N/A SHEET 1 OF 1