



Chipsmall Limited consists of a professional team with an average of over 10 year of expertise in the distribution of electronic components. Based in Hongkong, we have already established firm and mutual-benefit business relationships with customers from,Europe,America and south Asia,supplying obsolete and hard-to-find components to meet their specific needs.

With the principle of “Quality Parts,Customers Priority,Honest Operation,and Considerate Service”,our business mainly focus on the distribution of electronic components. Line cards we deal with include Microchip,ALPS,ROHM,Xilinx,Pulse,ON,Everlight and Freescale. Main products comprise IC,Modules,Potentiometer,IC Socket,Relay,Connector.Our parts cover such applications as commercial,industrial, and automotives areas.

We are looking forward to setting up business relationship with you and hope to provide you with the best service and solution. Let us make a better world for our industry!



## Contact us

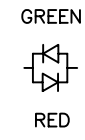
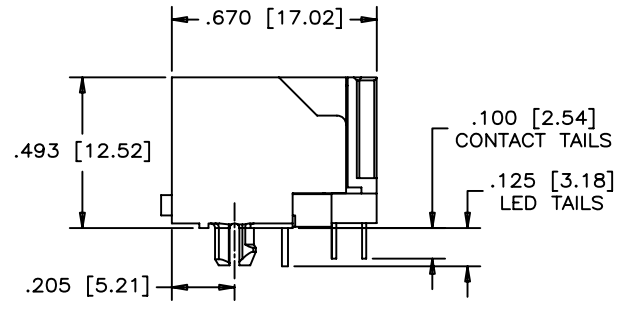
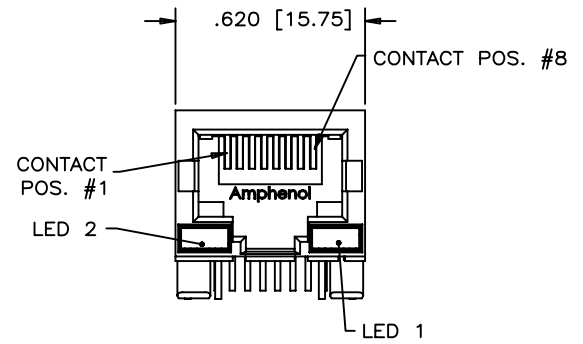
Tel: +86-755-8981 8866 Fax: +86-755-8427 6832

Email & Skype: info@chipsmall.com Web: www.chipsmall.com

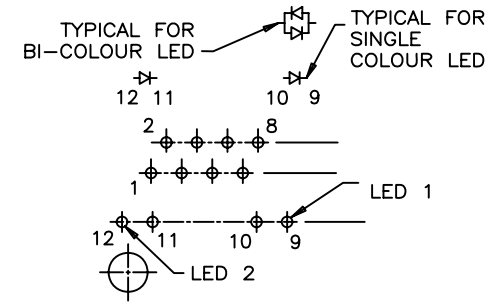
Address: A1208, Overseas Decoration Building, #122 Zhenhua RD., Futian, Shenzhen, China



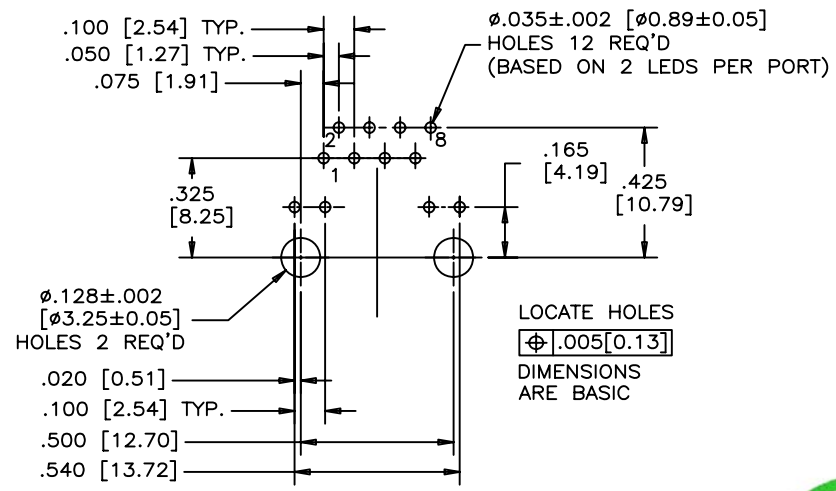
REVISIONS				
SYM	ZONE	ECN, ERN NO.	DATE	APPRD.
A		PROPOSAL	06/03/29	L.CHAN



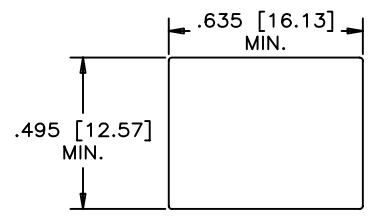
**BI-COLOUR LED DETAIL**  
 (GREEN/YELLOW, RED/YELLOW AND GREEN/ORANGE ARE ALSO AVAILABLE)



**LED SCHEMATIC**



**RECOMMENDED P.C.B. LAYOUT**  
 (COMPONENT SIDE OF BOARD)



**RECOMMENDED PANEL CUTOUT**  
 SCALE 1:1



**MATERIALS:**

HOUSING: HIGH TEMPERATURE THERMOPLASTIC.  
 FLAMMABILITY RATING UL 94V-0

CONTACTS: PHOSPHOR BRONZE  
 PLATING: 50µ" [1.27 MICRONS] MIN. GOLD OVER MATING SURFACES.  
 50µ" [1.27 MICRONS] MIN. NICKEL UNDERPLATE.  
 100µ" [2.54 MICRONS] MIN. MATTE-TIN OR GOLD FLASH ON CONTACT TAILS.

RECOMMENDED SOLDERING TEMPERATURE:  
 WAVE SOLDERING AT 260° MAXIMUM FOR 5 SEC MAXIMUM.

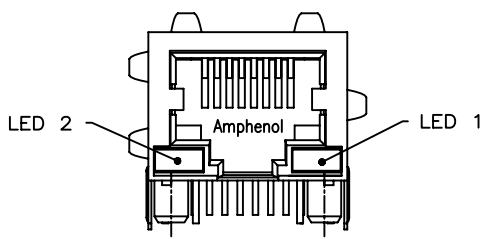
**PART NUMBER:** RJSBE-508X-C1X

REFER TO LED OPTIONS DRAWING FOR ORDERING CODES

DRAWN PAULW	DATE 06/03/29	<b>Amphenol Canada Corp.</b>		
DESIGNED				
CHECKED CHIGOW	DATE 06/03/29	TITLE SINGLE-PORT HIGH SPEED MODULAR JACK, 8 CONTACTS, 8 POSITIONS, WITH LEDS, UNSHIELDED, .050" ROW SPACING, FORWARD LED TAILS - RoHS COMPLIANT		
I. E. APPRD.		DWG	DRAWING NO. P-RJSBE-508X-C1X	REV. A
Q. A. APPRD.		REF. EAR # 060326		
DWG. APPRD.		DIMENSIONS ARE IN INCHES [mm] CODE ID. NO. 03554		
ENG. REL. NO.		SCALE	WT. -----	SURF. -----
SHEET 1 OF 1				

THIS DOCUMENT CONTAINS PROPRIETARY INFORMATION AND SUCH INFORMATION MAY NOT BE DISCLOSED TO OTHERS FOR ANY PURPOSE OR USED FOR MANUFACTURING PURPOSES WITHOUT WRITTEN PERMISSION FROM AMPHENOL CANADA CORP.

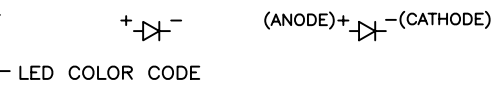
REVISIONS				
SYM	ZONE	ECN, ERN NO.	DATE	APPRD.
A		PROPOSAL	05/04/06	



TYPICAL FOR SINGLE & MULTI-PORT

**EXAMPLE:**

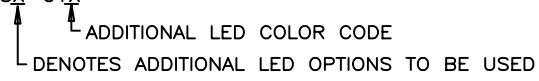
PART NUMBER RJSB-538X



CODE	LED 2 (LEFT)	LED 1 (RIGHT)	CODE	LED 2 (LEFT)	LED 1 (RIGHT)	CODE	LED 2 (LEFT)	LED 1 (RIGHT)
0	BLOCKED	BLOCKED	9	GREEN	BLOCKED	J	BiC RD/GR	YELLOW
1	YELLOW	GREEN	A	BiC GR/YE	BiC GR/YE	K	YELLOW	BiC GR/OR
2	BLOCKED	GREEN	B	BiC RD/GR	BiC RD/GR	L	BiC GR/YE	RED
3	YELLOW	BLOCKED	C	BiC RD/GR	BiC GR/YE	M	RED	YELLOW
4	GREEN	YELLOW	D	GREEN	BiC GR/YE	N	BiC GR/RD	BiC GR/YE
5	GREEN	GREEN	E	YELLOW	BiC GR/YE	P	GREEN	BiC RD/GR
6	YELLOW	YELLOW	F	BiC GR/YE	YELLOW	R	BiC GR/OR	GREEN
7	RED	GREEN	G	BiC GR/OR	BiC GR/OR	T	RED	RED
8	GREEN	RED	H	BiC GR/YE	GREEN	V	BiC RD/GR	GREEN
			W					ADDITIONAL OPTIONS

**EXAMPLE OF ADDITIONAL LED OPTIONS:**

PART NUMBER RJSB-538X-C1X



CODE	LED 2 (LEFT)	LED 1 (RIGHT)	CODE	LED 2 (LEFT)	LED 1 (RIGHT)	CODE	LED 2 (LEFT)	LED 1 (RIGHT)
0	DO NOT USE		5	BLOCKED	YELLOW	A	LOWC YE	LOWC YE
1	RED	BLOCKED	6	RED	BiC RD/GR	B	LOWC YE	LOWC GR
2	BiC GR/OR	YELLOW	7			C	LOWC GR	LOWC YE
3	YELLOW	RED	8	BiC RD/GR	BLOCKED	D	LOWC GR	LOWC GR
4	BLOCKED	RED	9	BiC GR/YE	BLOCKED	M	LOWC RD	LOWC YE
						N	GREEN	BiC GR/OR

**LED SPECIFICATIONS:**

FORWARD VOLTAGE: 2.1 VOLTS TYP.  
 REVERSE VOLTAGE: 5.0 VOLTS MIN.  
 LUMINOUS INTENSITY: 0.5 mCd MIN.  
 (AT If=2mA)  
 STORAGE TEMPERATURE: -20° TO 85°C  
 LEAD SOLDERING TEMPERATURE: 260°C  
 (5 SEC, 1/16" FROM CASE)  
 PLATING ON TAILS: TIN-LEAD (90-10) ALLOY

PRIMARY COLOR FOR BI-COLOR LEDS IN STANDARD ANODE/CATHODE CONFIGURATION IS:  
 RED-GREEN= RED  
 RED-YELLOW= RED  
 GREEN-YELLOW= GREEN  
 GREEN-ORANGE= GREEN

**LEGEND**

BiC=BI-COLOR LED  
 LOWC=LOW CURRENT LED  
 YE=YELLOW  
 GR=GREEN  
 RD=RED  
 OR=ORANGE

**NOTE:**

THE TWO DIGITS PRECEDING THE ADDITIONAL LED CODE MUST BE USED IN THE PART NUMBER, WHEN ORDERING ANY OF THE ADDITIONAL LED OPTIONS.

DRAWN PAUL WANG		DATE 05/04/06		Amphenol Canada Corp.	
DESIGNED					
CHECKED				TITLE	
I. E. APPRD.				LED OPTIONS FOR RJSB,	
Q. A. APPRD.				SINGLE & MULTI-PORT CONNECTORS	
DWG. APPRD.				DWG DRAWING NO.	
ENG. REL. NO.				P-RJSB-LEDS	
REF.				REV. A	
DIMENSIONS ARE IN INCHES [mm]		CODE ID. NO. 03554		SCALE	
				WT. -----	
				SURF. -----	
				SHEET 1 OF 1	

THIS DOCUMENT CONTAINS PROPRIETARY INFORMATION AND SUCH INFORMATION MAY NOT BE DISCLOSED TO OTHERS FOR ANY PURPOSE OR USED FOR MANUFACTURING PURPOSES WITHOUT WRITTEN PERMISSION FROM AMPHENOL CANADA CORP.