



Chipsmall Limited consists of a professional team with an average of over 10 year of expertise in the distribution of electronic components. Based in Hongkong, we have already established firm and mutual-benefit business relationships with customers from,Europe,America and south Asia,supplying obsolete and hard-to-find components to meet their specific needs.

With the principle of “Quality Parts,Customers Priority,Honest Operation,and Considerate Service”,our business mainly focus on the distribution of electronic components. Line cards we deal with include Microchip,ALPS,ROHM,Xilinx,Pulse,ON,Everlight and Freescale. Main products comprise IC,Modules,Potentiometer,IC Socket,Relay,Connector.Our parts cover such applications as commercial,industrial, and automotives areas.

We are looking forward to setting up business relationship with you and hope to provide you with the best service and solution. Let us make a better world for our industry!



## Contact us

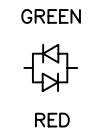
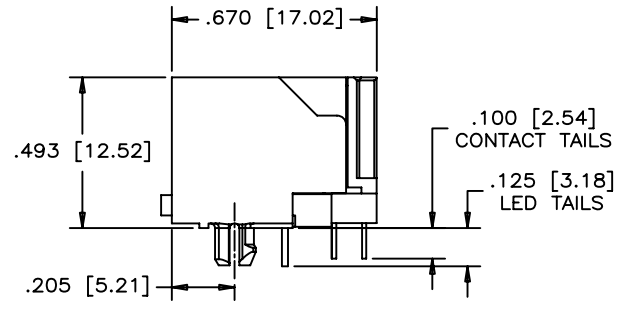
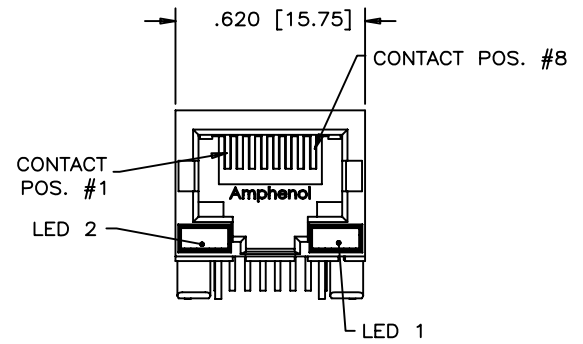
Tel: +86-755-8981 8866 Fax: +86-755-8427 6832

Email & Skype: info@chipsmall.com Web: www.chipsmall.com

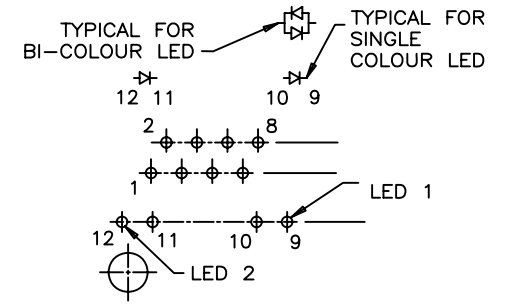
Address: A1208, Overseas Decoration Building, #122 Zhenhua RD., Futian, Shenzhen, China



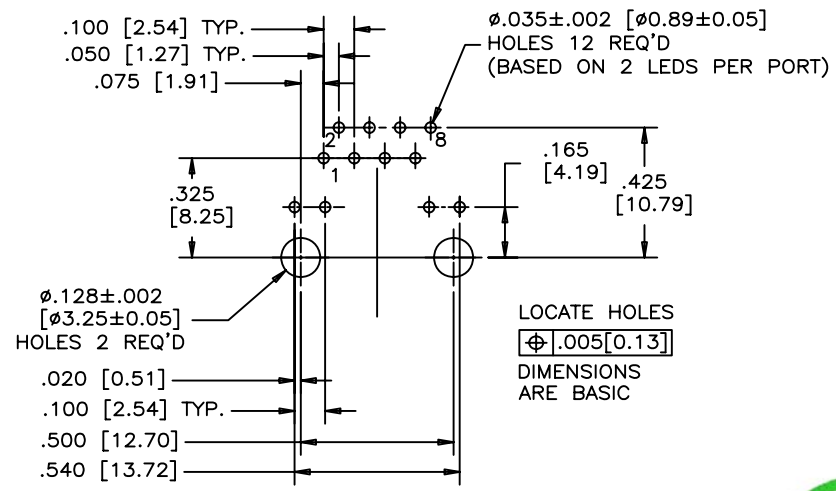
| REVISIONS |      |              |          |        |
|-----------|------|--------------|----------|--------|
| SYM       | ZONE | ECN, ERN NO. | DATE     | APPRD. |
| A         |      | PROPOSAL     | 06/03/29 | L.CHAN |



**BI-COLOUR LED DETAIL**  
 (GREEN/YELLOW, RED/YELLOW AND GREEN/ORANGE ARE ALSO AVAILABLE)

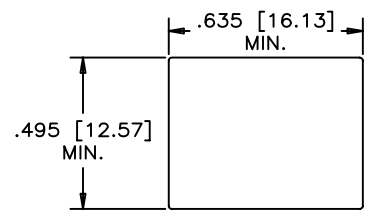


**LED SCHEMATIC**



LOCATE HOLES  
 $\text{⌀} .005 [0.13]$   
 DIMENSIONS ARE BASIC

**RECOMMENDED P.C.B. LAYOUT**  
 (COMPONENT SIDE OF BOARD)



**RECOMMENDED PANEL CUTOUT**  
 SCALE 1:1



**MATERIALS:**

HOUSING: HIGH TEMPERATURE THERMOPLASTIC.  
 FLAMMABILITY RATING UL 94V-0

CONTACTS: PHOSPHOR BRONZE  
 PLATING: 50µ" [1.27 MICRONS] MIN. GOLD OVER MATING SURFACES.  
 50µ" [1.27 MICRONS] MIN. NICKEL UNDERPLATE.  
 100µ" [2.54 MICRONS] MIN. MATTE-TIN OR GOLD FLASH ON CONTACT TAILS.

RECOMMENDED SOLDERING TEMPERATURE:  
 WAVE SOLDERING AT 260° MAXIMUM FOR 5 SEC MAXIMUM.

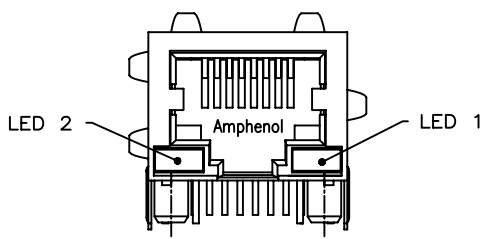
**PART NUMBER:** RJSBE-508X-C1X

REFER TO LED OPTIONS DRAWING FOR ORDERING CODES

|                |               |  |                                    |
|----------------|---------------|--|------------------------------------|
| DRAWN PAULW    | DATE 06/03/29 | <b>Amphenol Canada Corp.</b>   |                                    |
| DESIGNED       |               |  |                                    |
| CHECKED CHIGOW | DATE 06/03/29 | TITLE SINGLE-PORT HIGH SPEED MODULAR JACK, 8 CONTACTS, 8 POSITIONS, WITH LEDS, UNSHIELDED, .050" ROW SPACING, FORWARD LED TAILS - RoHS COMPLIANT |                                    |
| I. E. APPRD.   |               | DWG  | DRAWING NO. P-RJSBE-508X-C1X       |
| Q. A. APPRD.   |               | REF. EAR # 060326  | REV. A                             |
| DWG. APPRD.    |               | DIMENSIONS ARE IN INCHES [mm]  | CODE ID. NO. 03554                 |
| ENG. REL. NO.  |               | SCALE  | WT. _____ SURF. _____ SHEET 1 OF 1 |

THIS DOCUMENT CONTAINS PROPRIETARY INFORMATION AND SUCH INFORMATION MAY NOT BE DISCLOSED TO OTHERS FOR ANY PURPOSE OR USED FOR MANUFACTURING PURPOSES WITHOUT WRITTEN PERMISSION FROM AMPHENOL CANADA CORP.

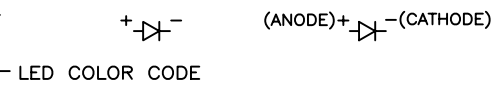
| REVISIONS |      |              |          |        |
|-----------|------|--------------|----------|--------|
| SYM       | ZONE | ECN, ERN NO. | DATE     | APPRD. |
| A         |      | PROPOSAL     | 05/04/06 |        |



TYPICAL FOR SINGLE & MULTI-PORT

**EXAMPLE:**

PART NUMBER RJSB-538X

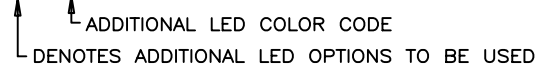


LED COLOR CODE

| CODE | LED 2 (LEFT) | LED 1 (RIGHT) | CODE | LED 2 (LEFT) | LED 1 (RIGHT) | CODE | LED 2 (LEFT) | LED 1 (RIGHT)      |
|------|--------------|---------------|------|--------------|---------------|------|--------------|--------------------|
| 0    | BLOCKED      | BLOCKED       | 9    | GREEN        | BLOCKED       | J    | BiC RD/GR    | YELLOW             |
| 1    | YELLOW       | GREEN         | A    | BiC GR/YE    | BiC GR/YE     | K    | YELLOW       | BiC GR/OR          |
| 2    | BLOCKED      | GREEN         | B    | BiC RD/GR    | BiC RD/GR     | L    | BiC GR/YE    | RED                |
| 3    | YELLOW       | BLOCKED       | C    | BiC RD/GR    | BiC GR/YE     | M    | RED          | YELLOW             |
| 4    | GREEN        | YELLOW        | D    | GREEN        | BiC GR/YE     | N    | BiC GR/RD    | BiC GR/YE          |
| 5    | GREEN        | GREEN         | E    | YELLOW       | BiC GR/YE     | P    | GREEN        | BiC RD/GR          |
| 6    | YELLOW       | YELLOW        | F    | BiC GR/YE    | YELLOW        | R    | BiC GR/OR    | GREEN              |
| 7    | RED          | GREEN         | G    | BiC GR/OR    | BiC GR/OR     | T    | RED          | RED                |
| 8    | GREEN        | RED           | H    | BiC GR/YE    | GREEN         | V    | BiC RD/GR    | GREEN              |
|      |              |               | W    |              |               |      |              | ADDITIONAL OPTIONS |

**EXAMPLE OF ADDITIONAL LED OPTIONS:**

PART NUMBER RJSB-538X-C1X



| CODE | LED 2 (LEFT) | LED 1 (RIGHT) | CODE | LED 2 (LEFT) | LED 1 (RIGHT) | CODE | LED 2 (LEFT) | LED 1 (RIGHT) |
|------|--------------|---------------|------|--------------|---------------|------|--------------|---------------|
| 0    | DO NOT USE   |               | 5    | BLOCKED      | YELLOW        | A    | LOWC YE      | LOWC YE       |
| 1    | RED          | BLOCKED       | 6    | RED          | BiC RD/GR     | B    | LOWC YE      | LOWC GR       |
| 2    | BiC GR/OR    | YELLOW        | 7    |              |               | C    | LOWC GR      | LOWC YE       |
| 3    | YELLOW       | RED           | 8    | BiC RD/GR    | BLOCKED       | D    | LOWC GR      | LOWC GR       |
| 4    | BLOCKED      | RED           | 9    | BiC GR/YE    | BLOCKED       | M    | LOWC RD      | LOWC YE       |
|      |              |               |      |              |               | N    | GREEN        | BiC GR/OR     |

**LED SPECIFICATIONS:**

FORWARD VOLTAGE: 2.1 VOLTS TYP.  
 REVERSE VOLTAGE: 5.0 VOLTS MIN.  
 LUMINOUS INTENSITY: 0.5 mCd MIN.  
 (AT If=2mA)  
 STORAGE TEMPERATURE: -20° TO 85°C  
 LEAD SOLDERING TEMPERATURE: 260°C  
 (5 SEC, 1/16" FROM CASE)  
 PLATING ON TAILS: TIN-LEAD (90-10) ALLOY

PRIMARY COLOR FOR BI-COLOR LEDS IN STANDARD ANODE/CATHODE CONFIGURATION IS:  
 RED-GREEN= RED  
 RED-YELLOW= RED  
 GREEN-YELLOW= GREEN  
 GREEN-ORANGE= GREEN

**LEGEND**

BiC=BI-COLOR LED  
 LOWC=LOW CURRENT LED  
 YE=YELLOW  
 GR=GREEN  
 RD=RED  
 OR=ORANGE

**NOTE:**

THE TWO DIGITS PRECEDING THE ADDITIONAL LED CODE MUST BE USED IN THE PART NUMBER, WHEN ORDERING ANY OF THE ADDITIONAL LED OPTIONS.

|                               |  |                    |  |                                |  |
|-------------------------------|--|--------------------|--|--------------------------------|--|
| DRAWN PAUL WANG               |  | DATE 05/04/06      |  | Amphenol Canada Corp.          |  |
| DESIGNED                      |  |                    |  |                                |  |
| CHECKED                       |  |                    |  | TITLE                          |  |
| I. E. APPRD.                  |  |                    |  | LED OPTIONS FOR RJSB,          |  |
| Q. A. APPRD.                  |  |                    |  | SINGLE & MULTI-PORT CONNECTORS |  |
| DWG. APPRD.                   |  |                    |  | DWG DRAWING NO.                |  |
| ENG. REL. NO.                 |  |                    |  | P-RJSB-LEDS                    |  |
| REF.                          |  |                    |  | REV. A                         |  |
| DIMENSIONS ARE IN INCHES [mm] |  | CODE ID. NO. 03554 |  | SCALE                          |  |
|                               |  | WT. -----          |  | SURF. -----                    |  |
|                               |  |                    |  | SHEET 1 OF 1                   |  |

THIS DOCUMENT CONTAINS PROPRIETARY INFORMATION AND SUCH INFORMATION MAY NOT BE DISCLOSED TO OTHERS FOR ANY PURPOSE OR USED FOR MANUFACTURING PURPOSES WITHOUT WRITTEN PERMISSION FROM AMPHENOL CANADA CORP.