



Chipsmall Limited consists of a professional team with an average of over 10 year of expertise in the distribution of electronic components. Based in Hongkong, we have already established firm and mutual-benefit business relationships with customers from,Europe,America and south Asia,supplying obsolete and hard-to-find components to meet their specific needs.

With the principle of “Quality Parts,Customers Priority,Honest Operation,and Considerate Service”,our business mainly focus on the distribution of electronic components. Line cards we deal with include Microchip,ALPS,ROHM,Xilinx,Pulse,ON,Everlight and Freescale. Main products comprise IC,Modules,Potentiometer,IC Socket,Relay,Connector.Our parts cover such applications as commercial,industrial, and automotives areas.

We are looking forward to setting up business relationship with you and hope to provide you with the best service and solution. Let us make a better world for our industry!



## Contact us

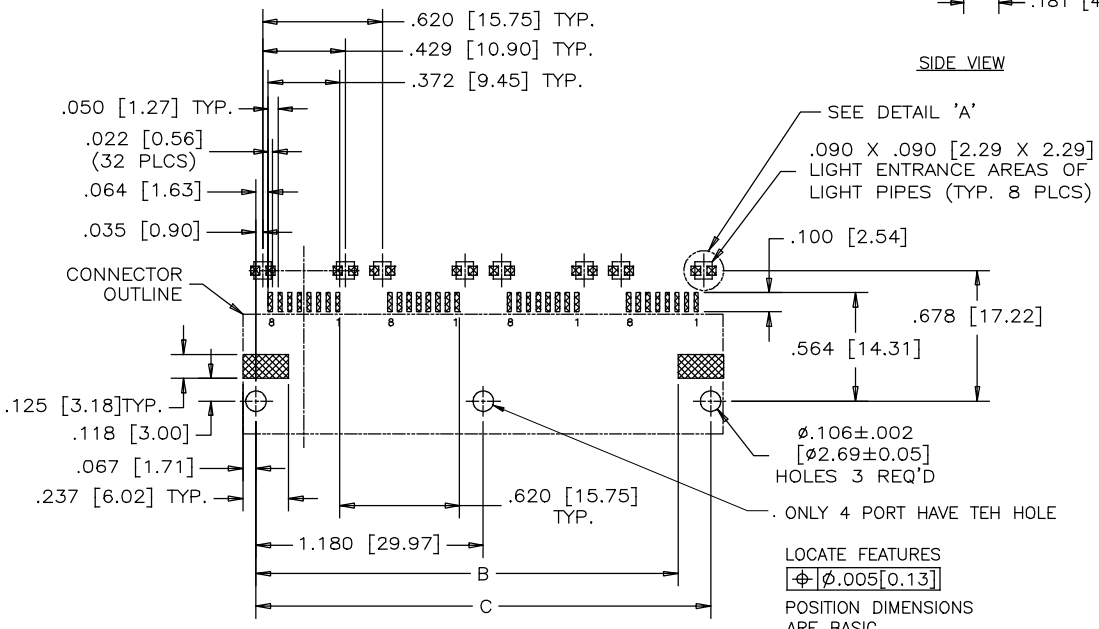
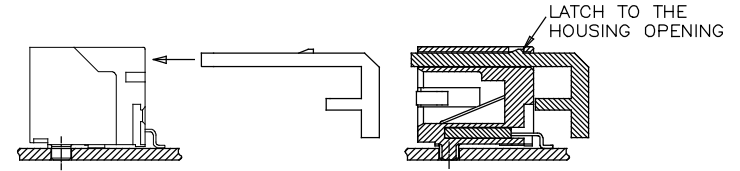
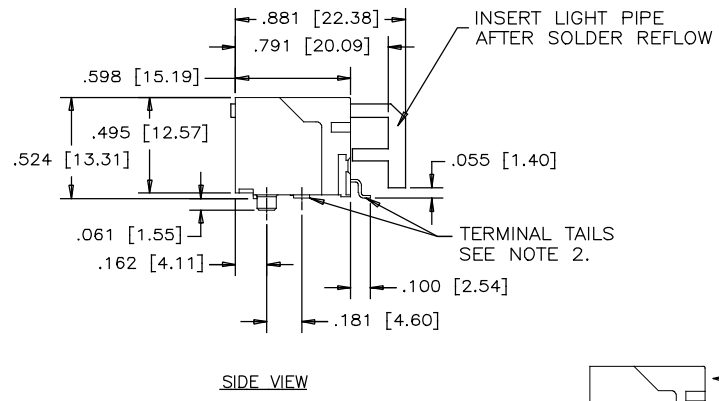
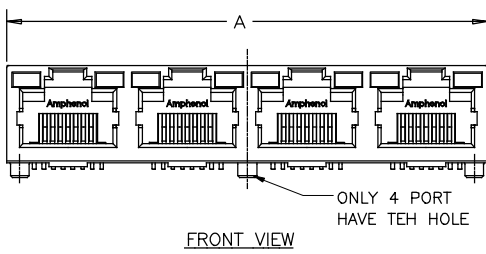
Tel: +86-755-8981 8866 Fax: +86-755-8427 6832

Email & Skype: info@chipsmall.com Web: www.chipsmall.com

Address: A1208, Overseas Decoration Building, #122 Zhenhua RD., Futian, Shenzhen, China

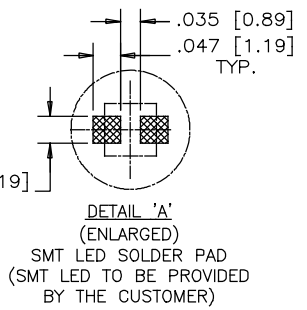
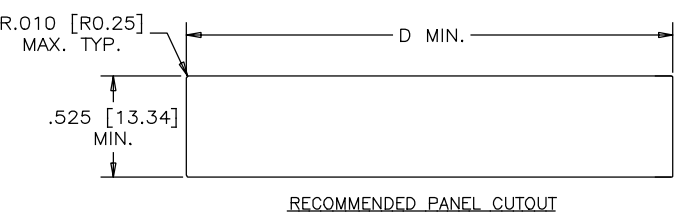


REVISIONS				
SYM	ZONE	DESCRIPTION	DATE	APPRD.
A		PROPOSAL	SEPT 22/08	L.CHAN
B		CORRECT DIMENSION	JAN 21/16	L.CHAN



- NOTE:
- MATERIALS:
    - HOUSING: HIGH TEMPERATURE THERMOPLASTIC  
FLAMMABILITY RATING UL 94V-0  
COLOR: BLACK
    - CONTACTS: PHOSPHOR BRONZE  
PLATING: 20 μ" [0.51 MICRONS]  
MIN. GOLD ON MATING SURFACES.  
50 μ" [1.27 MICRONS]  
MIN. NICKEL UNDERPLATE.  
100 μ" [2.54 MICRONS]  
MIN. PURE TIN ON CONTACT TAILS.
  - COPLANARITY SPECIFICATION:  
WITH THE MODULAR JACK SITTING ON A LEVEL SURFACE,  
THE MAXIMUM GAP BETWEEN BOTH FITTING NAILS AND ALL  
TERMINAL TAILS IS .004 [0.10].
  - LIGHT PIPE PART NUMBER RJSS248501 MUST BE ORDERED SEPARATELY

RECOMMENDED P.C.B. LAYOUT  
(COMPONENT SIDE OF BOARD)



AMPHENOL PART NUMBER: RJSSE-508X-XX

- PORT NUMBER
- BLOCKED-1 PORT
- 02-2 PORT
- 04-4 PORT
- LIGHT PIPE DESIGNATION
- 0 - BLOCKED
- 1 - WITH LIGHT PIPE

NUMBER OF PORT	DIM A	DIM B	DIM C	DIM D
1 PORT	.634[16.11]	.330[8.38]	.500[12.70]	.649[16.49]
2 PORT	1.254[31.85]	.780[19.81]	1.120[28.45]	1.269[32.24]
4 PORT	2.494[63.35]	2.190[55.64]	2.360[59.94]	2.509[63.73]

DRAWN	J.OUYANG	DATE	SEPT 22/08
DESIGNED	MT.CHAN		SEPT 22/08
CHECKED	L.CHAN		SEPT 22/08
I. E. APPRD.			
Q. A. APPRD.			
DWG. APPRD.			
ENG. REL. NO.			
REF.	EAR #13336		
DIMENSIONS ARE IN		CODE ID. NO.	
INCHES [mm]		03554	

**Amphenol Canada Corp.**

TITLE SURFACE MOUNT JACK, 8 POSITION,  
8 CONTACTS, UNSHIELD, WITH LIGHT  
PIPES OPTION - RoHS COMPLIANT

DWG C DRAWING NO. P-RJSSE-508X-XX REV. B

SCALE 2:1 WT. \_\_\_\_\_ SURF. \_\_\_\_\_ SHEET 1 of 1

THIS DOCUMENT CONTAINS PROPRIETARY INFORMATION AND SUCH INFORMATION  
MAY NOT BE DISCLOSED TO OTHERS FOR ANY PURPOSE OR USED FOR MANUFACTURING  
PURPOSES WITHOUT WRITTEN PERMISSION FROM AMPHENOL CANADA CORP.