



Chipsmall Limited consists of a professional team with an average of over 10 year of expertise in the distribution of electronic components. Based in Hongkong, we have already established firm and mutual-benefit business relationships with customers from,Europe,America and south Asia,supplying obsolete and hard-to-find components to meet their specific needs.

With the principle of "Quality Parts,Customers Priority,Honest Operation,and Considerate Service",our business mainly focus on the distribution of electronic components. Line cards we deal with include Microchip,ALPS,ROHM,Xilinx,Pulse,ON,Everlight and Freescale. Main products comprise IC,Modules,Potentiometer,IC Socket,Relay,Connector.Our parts cover such applications as commercial,industrial, and automotives areas.

We are looking forward to setting up business relationship with you and hope to provide you with the best service and solution. Let us make a better world for our industry!



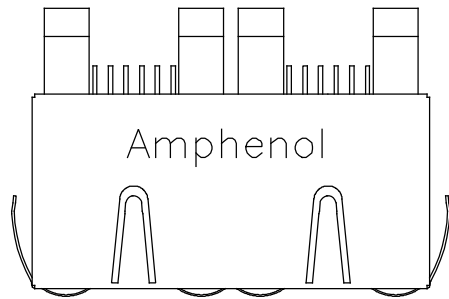
Contact us

Tel: +86-755-8981 8866 Fax: +86-755-8427 6832

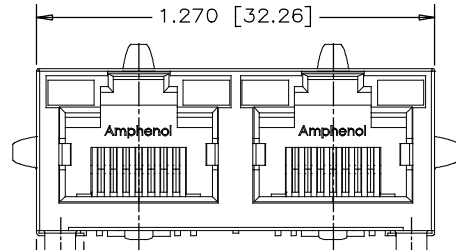
Email & Skype: info@chipsmall.com Web: www.chipsmall.com

Address: A1208, Overseas Decoration Building, #122 Zhenhua RD., Futian, Shenzhen, China

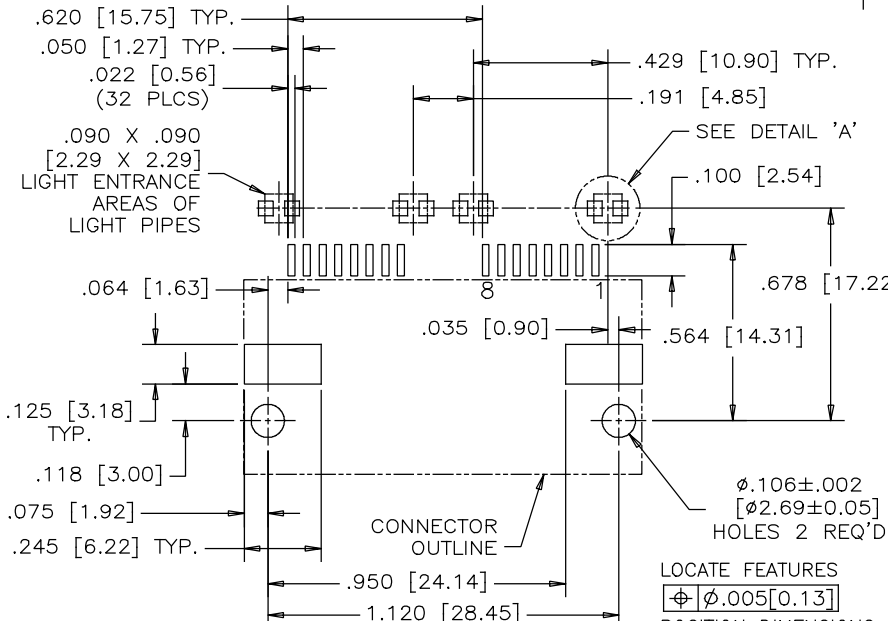




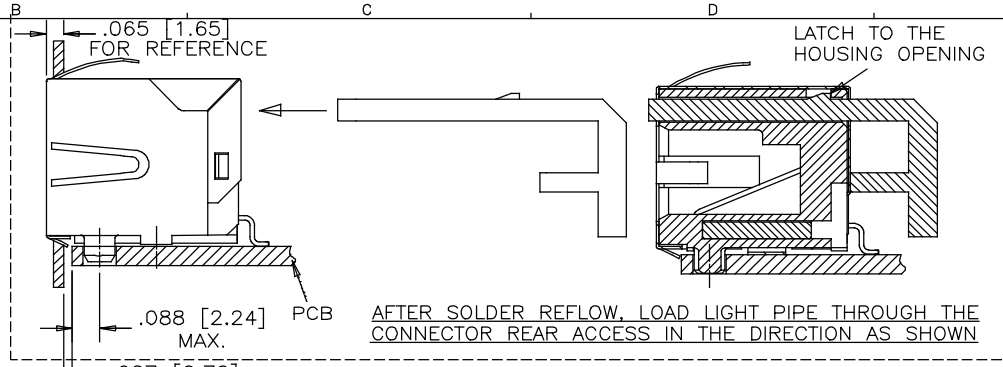
TOP VIEW



FRONT VIEW

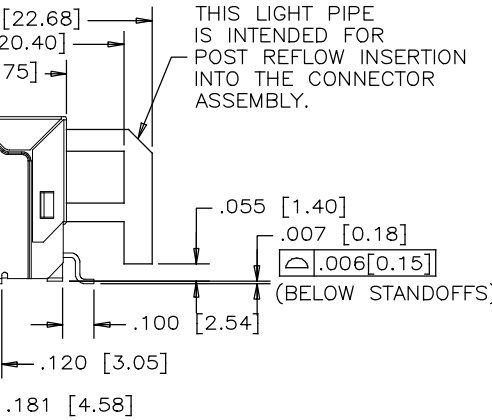


RECOMMENDED P.C.B. LAYOUT
(COMPONENT SIDE OF BOARD)

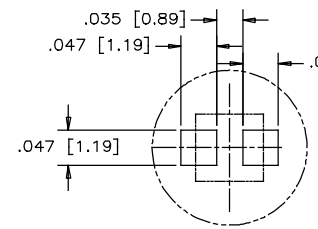


AFTER SOLDER REFLOW, LOAD LIGHT PIPE THROUGH THE CONNECTOR REAR ACCESS IN THE DIRECTION AS SHOWN

THIS LIGHT PIPE IS INTENDED FOR POST REFLOW INSERTION INTO THE CONNECTOR ASSEMBLY.

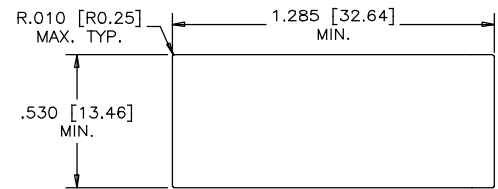


SIDE VIEW



DETAIL 'A'
(ENLARGED)
SMT LED SOLDER PAD
(SMT LED TO BE PROVIDED BY THE CUSTOMER)

SYM		ZONE	ECN, ERN NO.	DATE	APPRD.
A			PROPOSAL	2005/07/06	L.CHAN
B			UPDATE DRAWING	2015/03/12	L.CHAN
C			CORRECT FRONT VIEW FIGURE AND DIMENSION	2016/01/19	L.CHAN



RECOMMENDED PANEL CUTOUT

MATERIALS:
PLASTIC HOUSING: HIGH TEMPERATURE ENGINEERING THERMOPLASTIC
FLAMMABILITY RATING UL 94V-0

CONTACTS:
PHOSPHOR BRONZE
PLATING: 20 μ" [0.51 MICRONS]
MIN. GOLD ON MATING SURFACES.
50 μ" [1.27 MICRONS]
MIN. NICKEL UNDERPLATE.
100 μ" [2.54 MICRONS]
MIN. MATTE TIN ON CONTACT TAILS.

SHIELD: COPPER ALLOY
PLATING: NICKEL

LIGHT PIPE: CLEAR POLYCARBONATE RATED UL 94V-0.

PART NUMBER: RJ SSE-538X-02

LIGHT PIPE DESIGNATION
0 - BLOCKED
1 - WITH LIGHT PIPE

MATERIAL	DRAWN PWANG	DATE 05/07/06
	DESIGNED	
FINISH	CHECKED L.CHAN	05/07/06
	I. E. APPRD. YM	05/07/06
	Q. A. APPRD. X	X
	DWG. APPRD. X	X
	ENG. REL. NO. X	
	REF. EAR 12781	
	DIMENSIONS ARE IN CODE ID. NO.	
	INCHES [mm]	03554

Amphenol Canada Corp.		
TITLE 2 PORT, SURFACE MOUNT, RJ45 MODULAR JACK, 8 POSITION, 8 CONTACTS, SHIELDED, LIGHT PIPES OPTIONAL - RoHS COMPLIANT		
DWG C	DRAWING NO. P-RJSSE-538X-02	REV. C
SCALE 3/1	WT. -----	SURF. -----
SHEET 1 OF 1		

THIS DOCUMENT CONTAINS PROPRIETARY INFORMATION AND SUCH INFORMATION MAY NOT BE DISCLOSED TO OTHERS FOR ANY PURPOSE OR USED FOR MANUFACTURING PURPOSES WITHOUT WRITTEN PERMISSION FROM AMPHENOL CANADA CORP.