



Chipsmall Limited consists of a professional team with an average of over 10 year of expertise in the distribution of electronic components. Based in Hongkong, we have already established firm and mutual-benefit business relationships with customers from,Europe,America and south Asia,supplying obsolete and hard-to-find components to meet their specific needs.

With the principle of “Quality Parts,Customers Priority,Honest Operation,and Considerate Service”,our business mainly focus on the distribution of electronic components. Line cards we deal with include Microchip,ALPS,ROHM,Xilinx,Pulse,ON,Everlight and Freescale. Main products comprise IC,Modules,Potentiometer,IC Socket,Relay,Connector.Our parts cover such applications as commercial,industrial, and automotives areas.

We are looking forward to setting up business relationship with you and hope to provide you with the best service and solution. Let us make a better world for our industry!



Contact us

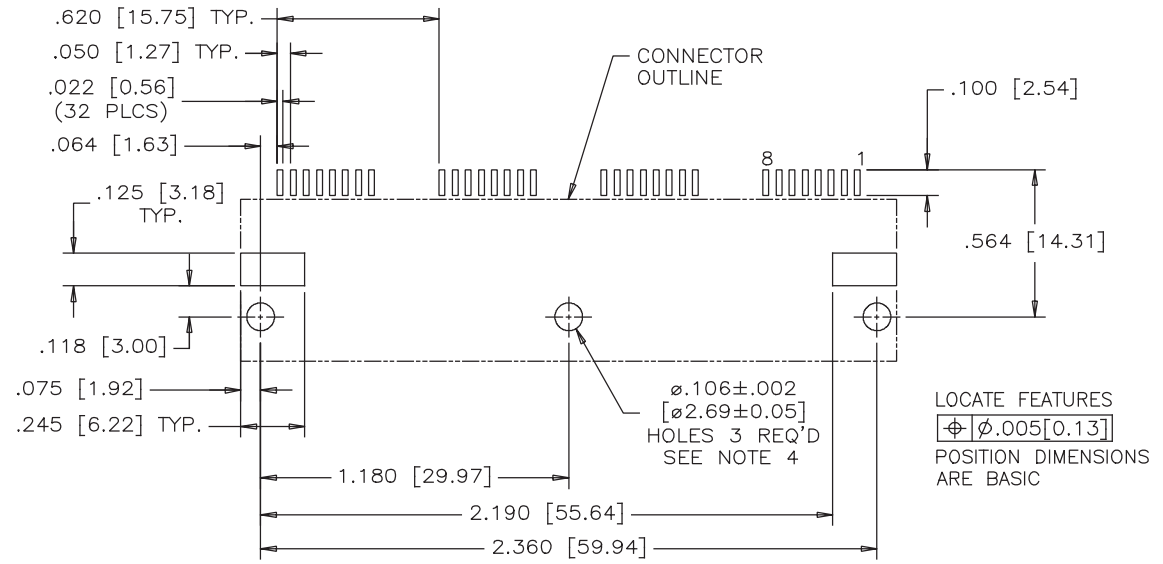
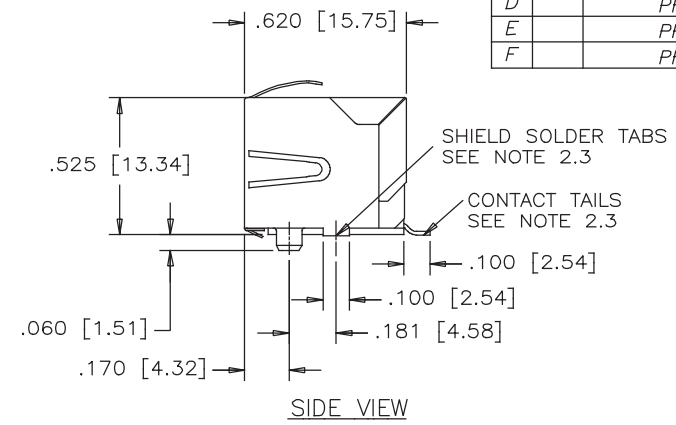
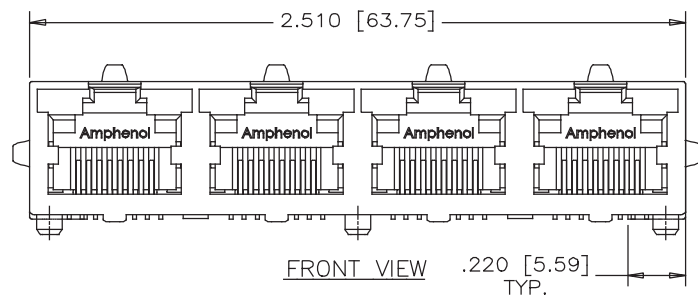
Tel: +86-755-8981 8866 Fax: +86-755-8427 6832

Email & Skype: info@chipsmall.com Web: www.chipsmall.com

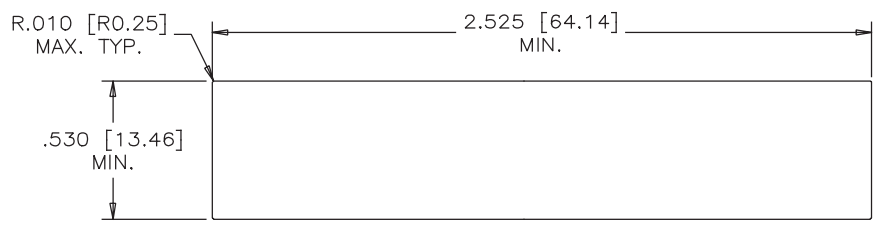
Address: A1208, Overseas Decoration Building, #122 Zhenhua RD., Futian, Shenzhen, China



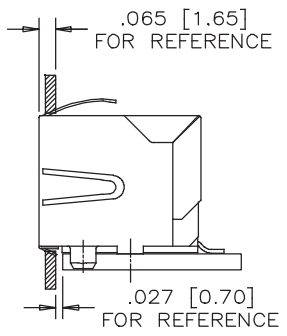
REVISIONS				
SYM	ZONE	ECN, ERN NO.	DATE	APPRD.
D		PROPOSAL	DEC25,06	L.C.
E		PROPOSAL	SEP04,13	L.C.
F		PROPOSAL	SEP05,13	L.C.



RECOMMENDED P.C.B. LAYOUT
(COMPONENT SIDE OF BOARD)



RECOMMENDED PANEL CUTOUT



NOTES

- MATERIALS:**
 - PLASTIC HOUSING: HIGH ENGINEERING THERMOPLASTIC
FLAMMABILITY RATING UL 94V-0
 - CONTACTS: PHOSPHOR BRONZE
PLATING: 20 μ" [0.51 MICRONS]
MIN. GOLD ON MATING SURFACES.
50 μ" [1.27 MICRONS]
MIN. NICKEL UNDERPLATE
100 μ" [2.54 MICRONS]
MIN. MATTE TIN ON CONTACT TAILS
 - SHIELD: COPPER ALLOY
PLATING: NICKLE
- PHYSICAL CHARACTERISTICS**
 - MSL RATING: LEVEL 1
 - DURABILITY: 750 CYCLES
 - COPLANARITY SPECIFICATION:
WITH THE MODULAR JACK SITTING ON A LEVEL SURFACE, THE
MAXIMUM GAP BETWEEN THE LEVEL SURFACE AND ALL CONTACTS
TAILS AND BOTH SHIELD TABS IS .004 [0.10] .
- ELECTRICAL**
 - HI-POT: CONTACT TO SHIELD 1500 VAC PEAK.
CONTACT TO CONTACT 1000 VAC PEAK.
- RECOMMENDED SOLDERING TEMPERATURE:**
REFLOW SOLDERING AT 260°C MAXIMUM FOR 10 SEC MAXIMUM.

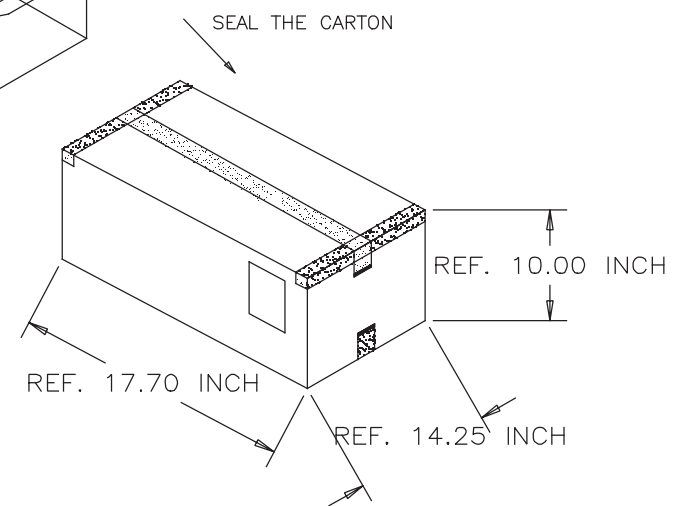
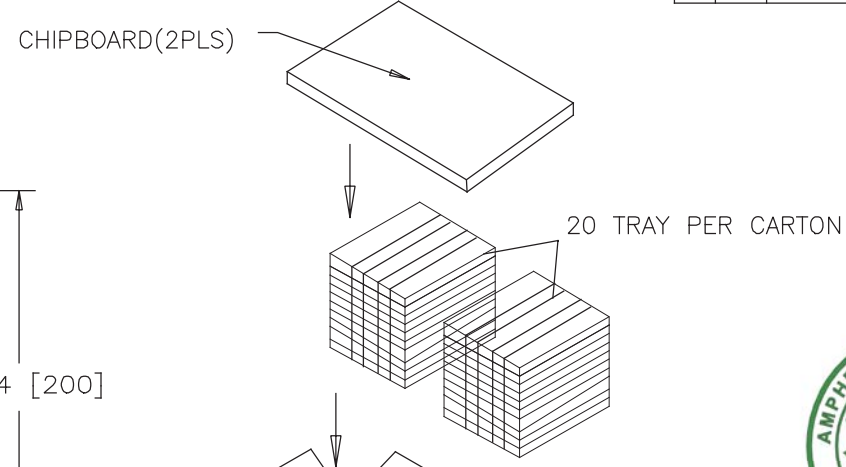
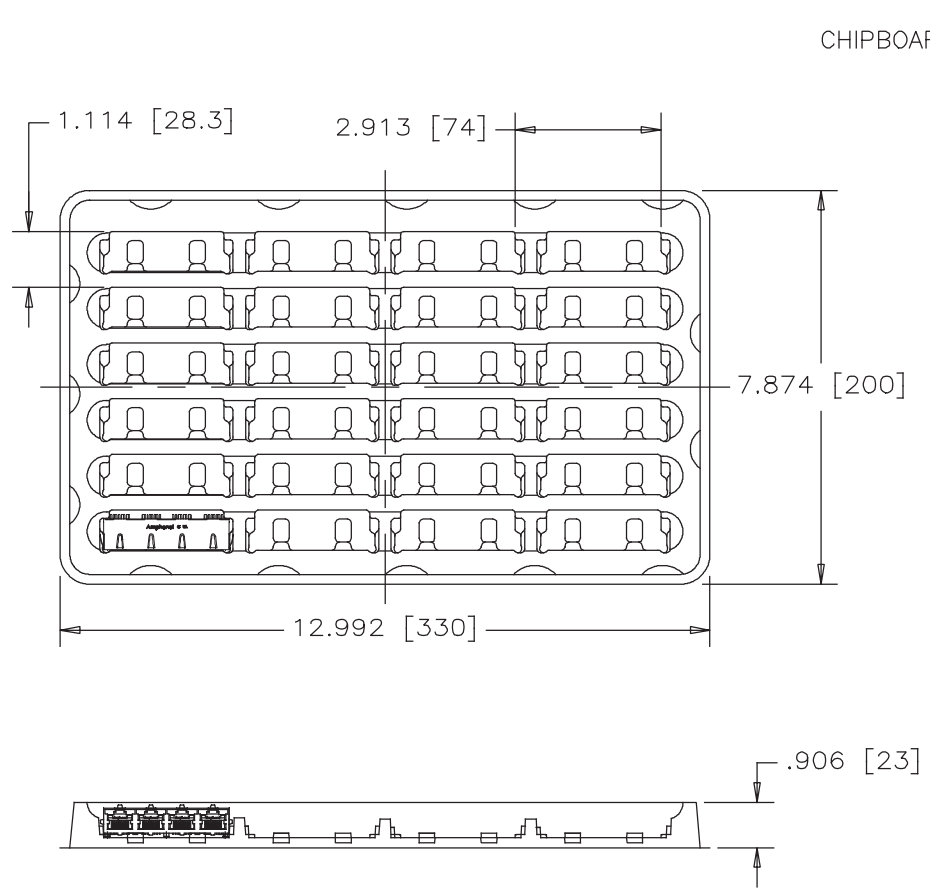
PART NUMBER: RJSSE-5380-04

DRAWN	Chigow	DATE	APR24,06
DESIGNED			
CHECKED	PWANG	DATE	APR24,06
I. E. APPRD.			
Q. A. APPRD.			
DWG. APPRD.			
ENG. REL. NO.			
REF.			
DIMENSIONS ARE IN	CODE ID. NO.		
INCHES [mm]	03554		

Amphenol Canada Corp.			
TITLE 4 PORT, SURFACE MOUNT, RJ45 MODULAR JACK, 8 POSITION, 8 CONTACTS, SHIELDED, WITHOUT LEDs --RoHS COMPLIANT			
DWG	DRAWING NO.	P-RJSSE-5380-04	REV. F
SCALE	WT.	SURF.	SHEET 7 OF 2

THIS DOCUMENT CONTAINS PROPRIETARY INFORMATION AND SUCH INFORMATION
MAY NOT BE DISCLOSED TO OTHERS FOR ANY PURPOSE OR USED FOR MANUFACTURING
PURPOSES WITHOUT WRITTEN PERMISSION FROM AMPHENOL CANADA CORP.

REVISIONS				
SYM	ZONE	ECN, ERN NO.	DATE	APPRD.
D		PROPOSAL	DEC25,06	L.C.
E		PROPOSAL	SEP04,13	L.C.
F		PROPOSAL	SEP05,13	L.C.



PACKAGING NOTES:

- 1. 24 PCS CONNECTORS PER TRAY
- 2. 20 TRAY PER CARTON (480 PCS CONNECTORS PER CARTON)

PART NUMBER: RJSSE-5380-04

THIS DOCUMENT CONTAINS PROPRIETARY INFORMATION AND SUCH INFORMATION MAY NOT BE DISCLOSED TO OTHERS FOR ANY PURPOSE OR USED FOR MANUFACTURING PURPOSES WITHOUT WRITTEN PERMISSION FROM AMPHENOL CANADA CORP.

DRAWN	Chigow	DATE	APR24,06	Amphenol Canada Corp.	
DESIGNED					
CHECKED	PWANG	DATE	APR24,06	TITLE 4 PORT, SURFACE MOUNT, RJ45 MODULAR JACK, 8 POSITION, 8 CONTACTS, SHIELDED, WITHOUT LEDs --RoHS COMPLIANT	
I. E. APPRD.					
Q. A. APPRD.					
DWG. APPRD.					
ENG. REL. NO.		DWG	DRAWING NO.	P-RJSSE-5380-04	REV.
REF.					F
DIMENSIONS ARE IN INCHES [mm]		CODE ID. NO.	03554	SCALE	WT. ----- SURF. ----- SHEET 2 OF 2