



Chipsmall Limited consists of a professional team with an average of over 10 year of expertise in the distribution of electronic components. Based in Hongkong, we have already established firm and mutual-benefit business relationships with customers from,Europe,America and south Asia,supplying obsolete and hard-to-find components to meet their specific needs.

With the principle of "Quality Parts,Customers Priority,Honest Operation,and Considerate Service",our business mainly focus on the distribution of electronic components. Line cards we deal with include Microchip,ALPS,ROHM,Xilinx,Pulse,ON,Everlight and Freescale. Main products comprise IC,Modules,Potentiometer,IC Socket,Relay,Connector.Our parts cover such applications as commercial,industrial, and automotives areas.

We are looking forward to setting up business relationship with you and hope to provide you with the best service and solution. Let us make a better world for our industry!



Contact us

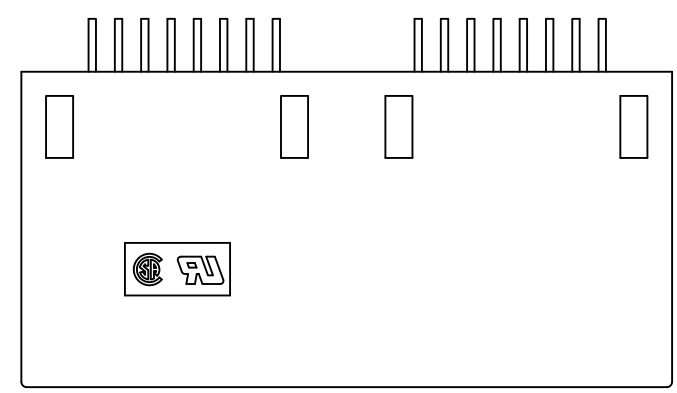
Tel: +86-755-8981 8866 Fax: +86-755-8427 6832

Email & Skype: info@chipsmall.com Web: www.chipsmall.com

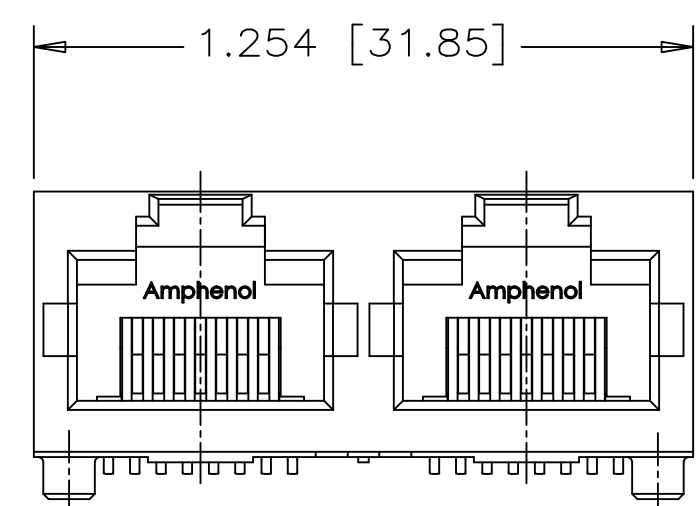
Address: A1208, Overseas Decoration Building, #122 Zhenhua RD., Futian, Shenzhen, China



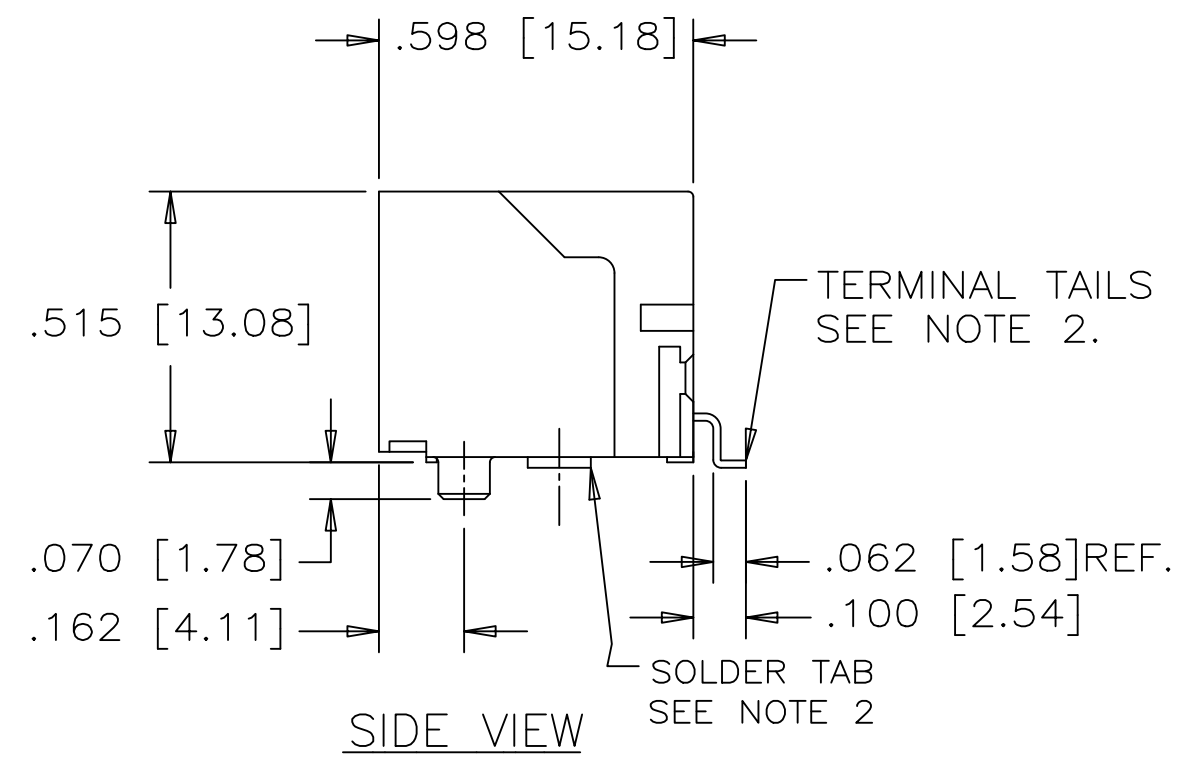
REVISIONS				
SYM	ZONE	ECN, ERN NO.	DATE	APPRD.
A		PROPOSAL	APR23/13	LCHAN



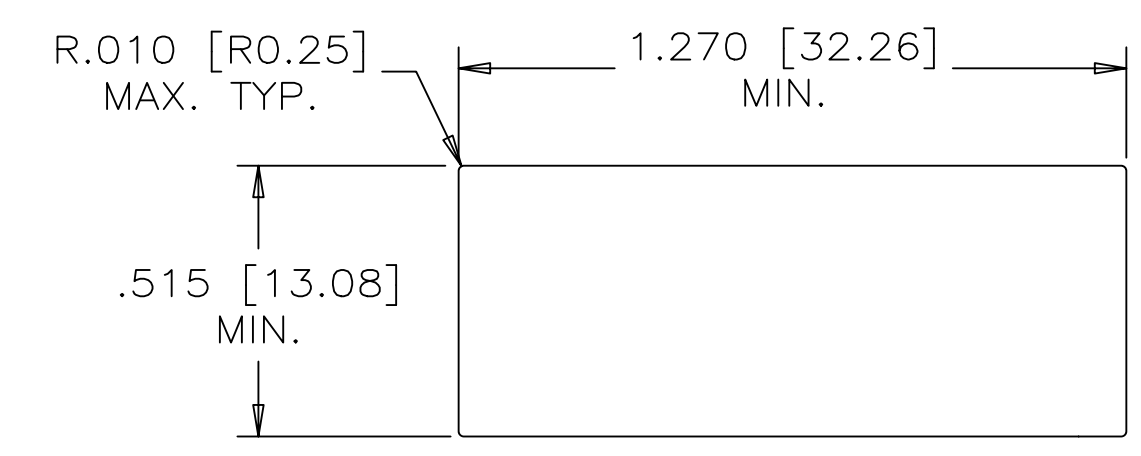
TOP VIEW



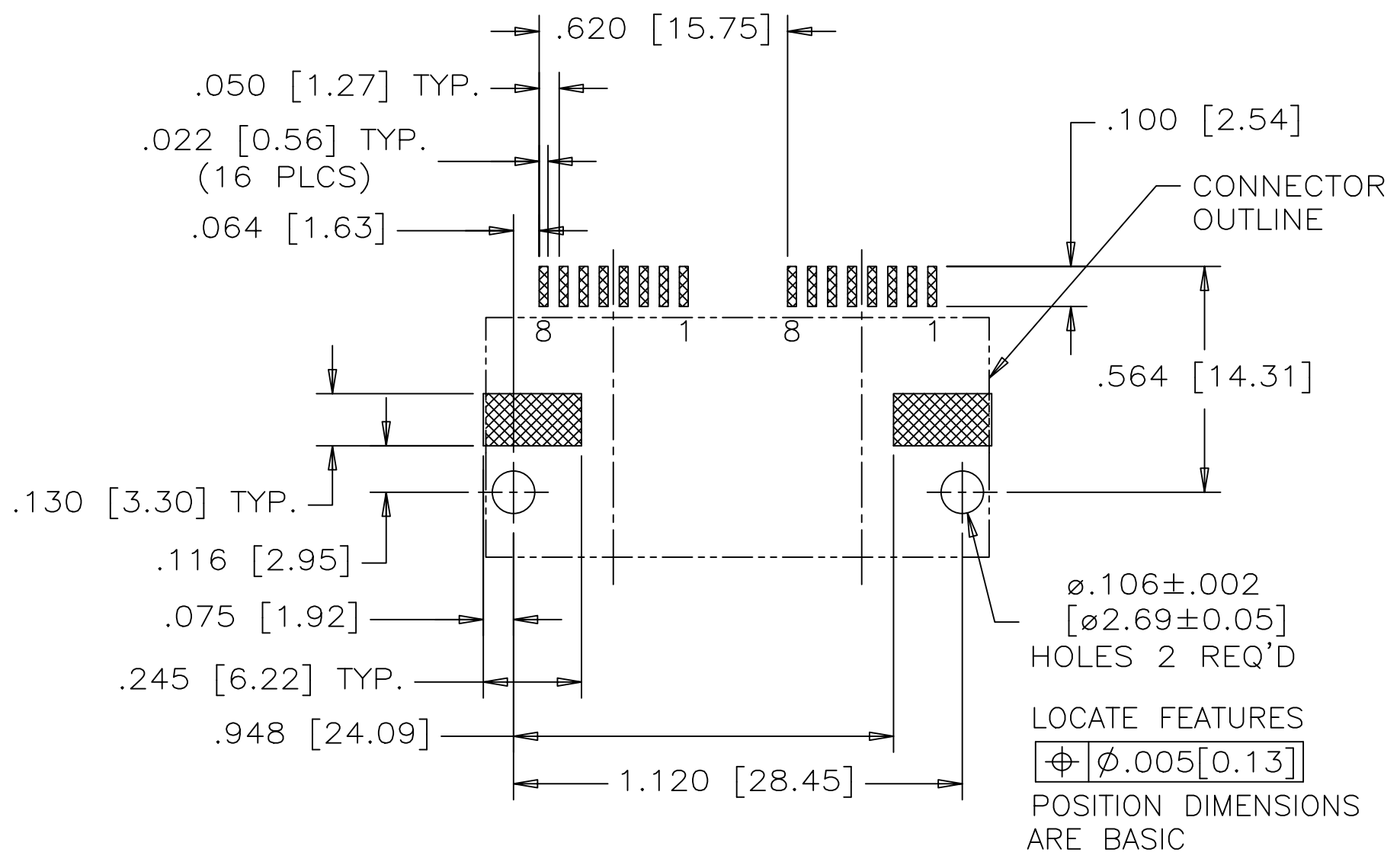
FRONT VIEW



SIDE VIEW



RECOMMENDED PANEL CUTOUT



RECOMMENDED P.C.B. LAYOUT
(COMPONENT SIDE OF BOARD)

NOTES

1. MATERIAL:
- HOUSING: HIGH TEMPERATURE THERMOPLASTIC
FLAMMABILITY RATING UL 94V-0
COLOR:BLACK
 - CONTACTS: PHOSPHOR BRONZE
PLATING: 20 μ" [0.508 MICRONS]
MIN. GOLD ON MATING SURFACES.
50 μ" [1.27 MICRONS]
MIN. NICKEL UNDERPLATE
100 μ" [2.54 MICRONS]
MIN. MATTE TIN OR GOLD FLASH
ON CONTACT TAILS.
 - SOLDER TAB: COPPER ALLOY WITH TIN PLATING.
2. COPLANARITY SPECIFICATION:
WITH THE MODULAR JACK SITTING ON A
LEVEL SURFACE, THE MAXIMUM GAP BETWEEN
THE LEVEL SURFACE AND ALL TERMINAL TAILS
AND BOTH FITTING NAILS IS .004 [0.10].

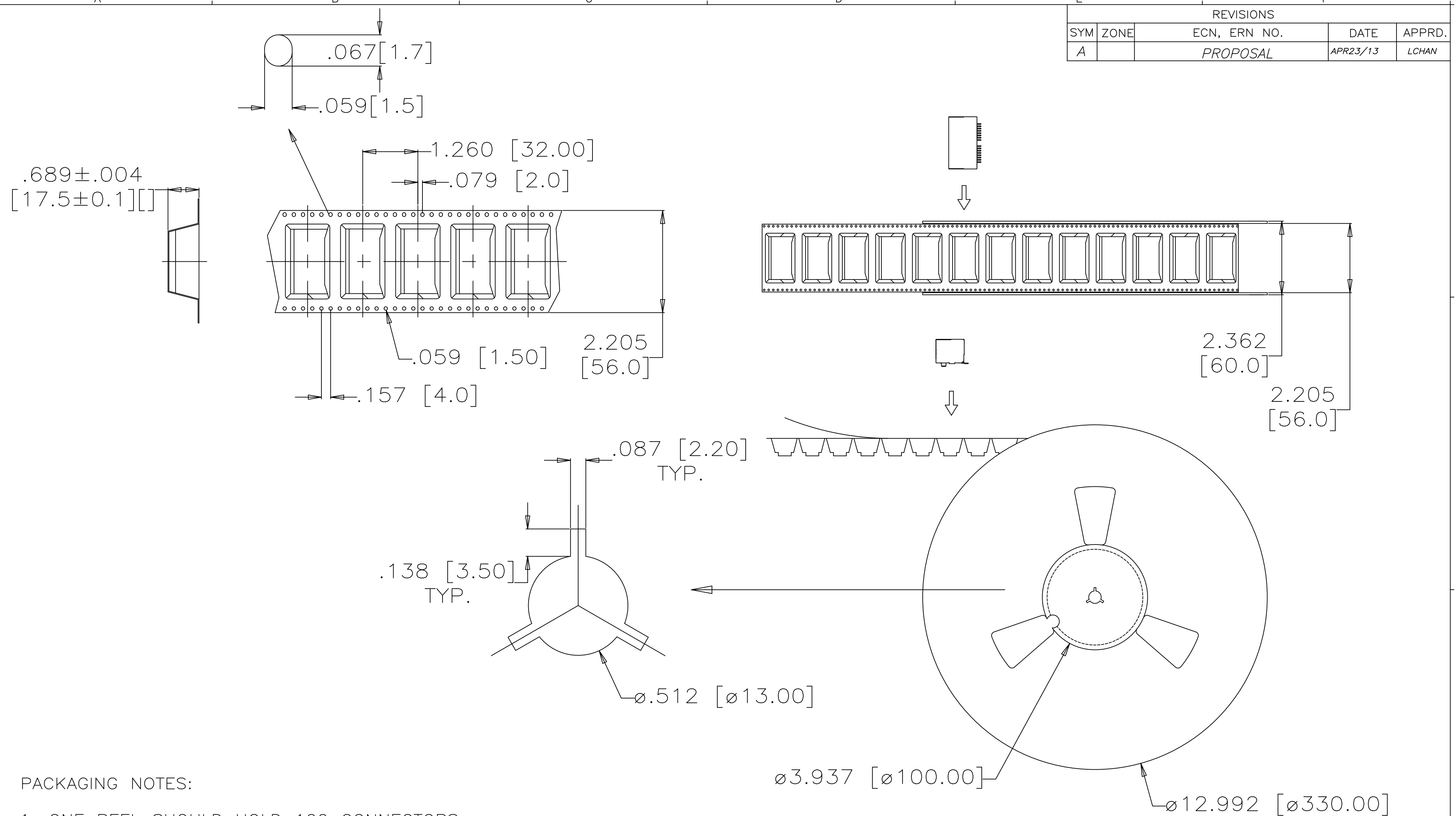
AMPHENOL PART NUMBER: RJSSE-5080-02T



DRAWN	AMY.Z	DATE	APR23/13	Amphenol Canada Corp.	
DESIGNED					
CHECKED	LCHAN	DATE	APR23/13	TITLE	
I. E. APPRD.				2 PORTS SURFACE MOUNT JACK, UNSHIELDED, WITH HOLD DOWN BRACKET, 8 POSITION & 8 CONTACTS (T&R PACKAGE)-RoHS COMPLIANT	
Q. A. APPRD.				DWG	DRAWING NO.
DWG. APPRD.				P-RJSSE-5080-02T	
ENG. REL. NO.				REV.	A
REF.				SCALE	WT. ----- SURF. ----- SHEET 1 OF 2
DIMENSIONS ARE IN	CODE ID. NO.				
INCHES [mm]	03554				

THIS DOCUMENT CONTAINS PROPRIETARY INFORMATION AND SUCH INFORMATION
MAY NOT BE DISCLOSED TO OTHERS FOR ANY PURPOSE OR USED FOR MANUFACTURING
PURPOSES WITHOUT WRITTEN PERMISSION FROM AMPHENOL CANADA CORP.

REVISIONS				
SYM	ZONE	ECN, ERN NO.	DATE	APPRD.
A		PROPOSAL	APR23/13	LCHAN



PACKAGING NOTES:

1. ONE REEL SHOULD HOLD 100 CONNECTORS.
2. 10 EMPTY CAVITIES FOR BOTH TOP AND BOTTOM OF THE CARRIER.
3. A FULLY LOADED CARTON SHOULD CONTAIN 5 REELS (500 PCS) OF CONNECTOR.



DRAWN	AMY.Z	DATE	APR23/13
DESIGNED			
CHECKED	L.CHAN	DATE	APR23/13
I. E. APPRD.			
Q. A. APPRD.			
DWG. APPRD.			
ENG. REL. NO.			
REF.			
DIMENSIONS ARE IN	CODE ID. NO.		
INCHES [mm]	03554		

Amphenol Canada Corp.

TITLE 2 PORTS SURFACE MOUNT JACK, UNSHIELDED, WITH HOLD DOWN BRACKET, 8 POSITION & 8 CONTACTS T&R PACKAGE DRAWING-RoHS COMPLIANT

DWG	DRAWING NO.	REV.
C	P-RJSSE-5080-02T	A

SCALE	WT.	SURF.	SHEET 2 OF 2
-------	-----	-------	--------------

THIS DOCUMENT CONTAINS PROPRIETARY INFORMATION AND SUCH INFORMATION MAY NOT BE DISCLOSED TO OTHERS FOR ANY PURPOSE OR USED FOR MANUFACTURING PURPOSES WITHOUT WRITTEN PERMISSION FROM AMPHENOL CANADA CORP.