



Chipsmall Limited consists of a professional team with an average of over 10 year of expertise in the distribution of electronic components. Based in Hongkong, we have already established firm and mutual-benefit business relationships with customers from,Europe,America and south Asia,supplying obsolete and hard-to-find components to meet their specific needs.

With the principle of “Quality Parts,Customers Priority,Honest Operation,and Considerate Service”,our business mainly focus on the distribution of electronic components. Line cards we deal with include Microchip,ALPS,ROHM,Xilinx,Pulse,ON,Everlight and Freescale. Main products comprise IC,Modules,Potentiometer,IC Socket,Relay,Connector.Our parts cover such applications as commercial,industrial, and automotives areas.

We are looking forward to setting up business relationship with you and hope to provide you with the best service and solution. Let us make a better world for our industry!



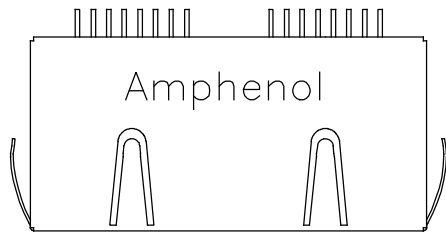
Contact us

Tel: +86-755-8981 8866 Fax: +86-755-8427 6832

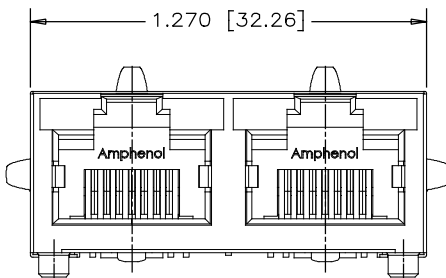
Email & Skype: info@chipsmall.com Web: www.chipsmall.com

Address: A1208, Overseas Decoration Building, #122 Zhenhua RD., Futian, Shenzhen, China

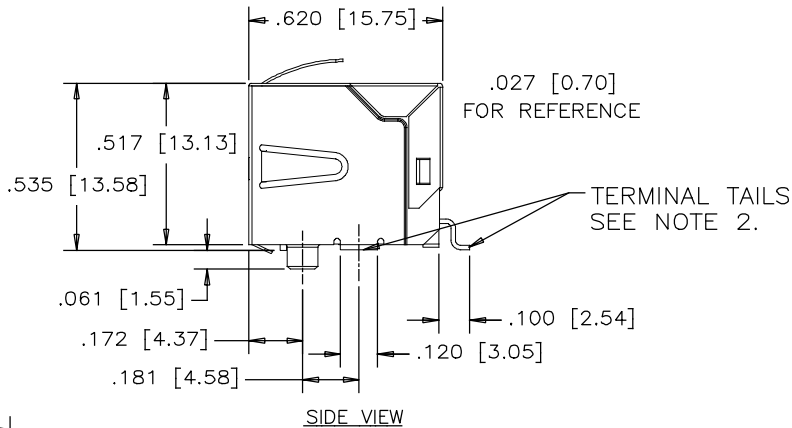




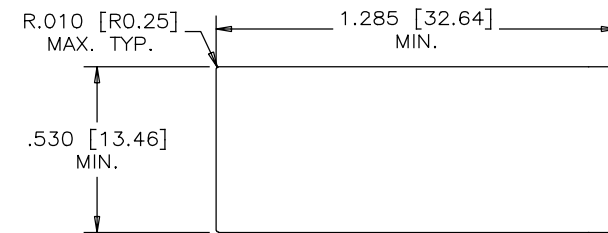
TOP VIEW



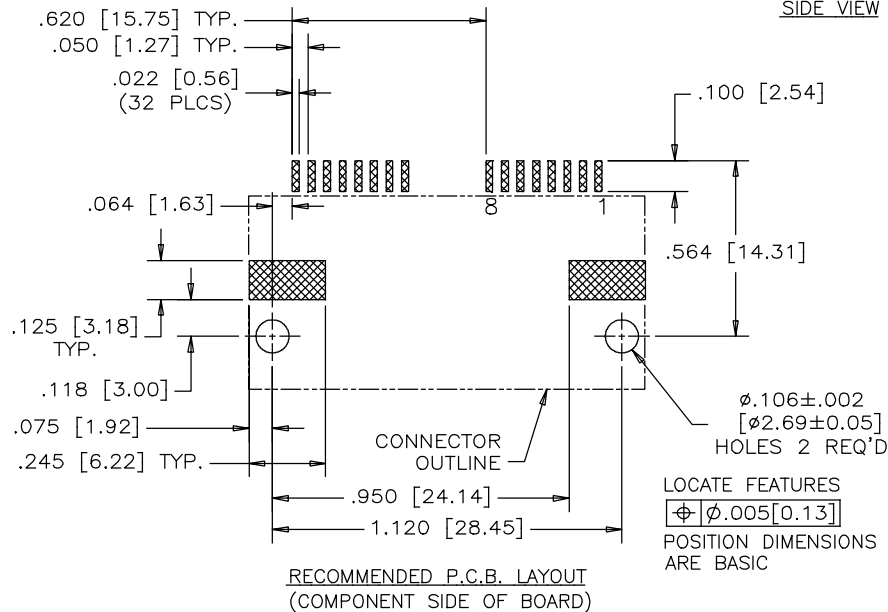
FRONT VIEW



SIDE VIEW



RECOMMENDED PANEL CUTOUT



RECOMMENDED P.C.B. LAYOUT
(COMPONENT SIDE OF BOARD)



REVISIONS				
SYM	ZONE	ECN, ERN NO.	DATE	APPRD.
B		CORRECT THE PLATING OF SHIELD	JUL27/12	L.CHAN
C		PROPOSAL	OCT23/14	L.CHAN
D		UPDATED DRAWING	MAR12/15	L.CHAN
E		CORRECT DIMENSION AND PACKAGING QUANTITY	JAN19/16	L.CHAN
F		CORRECT DRAWING	SEP27/16	L.CHAN

1. MATERIALS:
HOUSING:

ENGINEERING THERMOPLASTIC
FLAMMABILITY RATING UL 94V-0
COLOR: BLACK

CONTACTS:
PLATING:

PHOSPHOR BRONZE
20 μ" [0.508 MICRONS] MIN. GOLD ON MATING SURFACES.
50 μ" [1.27 MICRONS] MIN. NICKEL UNDERPLATE.
100 μ" [2.54 MICRONS] MIN. MATTE-TIN OR GOLD FLASH ON CONTACT TAILS.

SHIELD: COPPER ALLOY PLATED NICKEL

2. COPLANARITY SPECIFICATION:

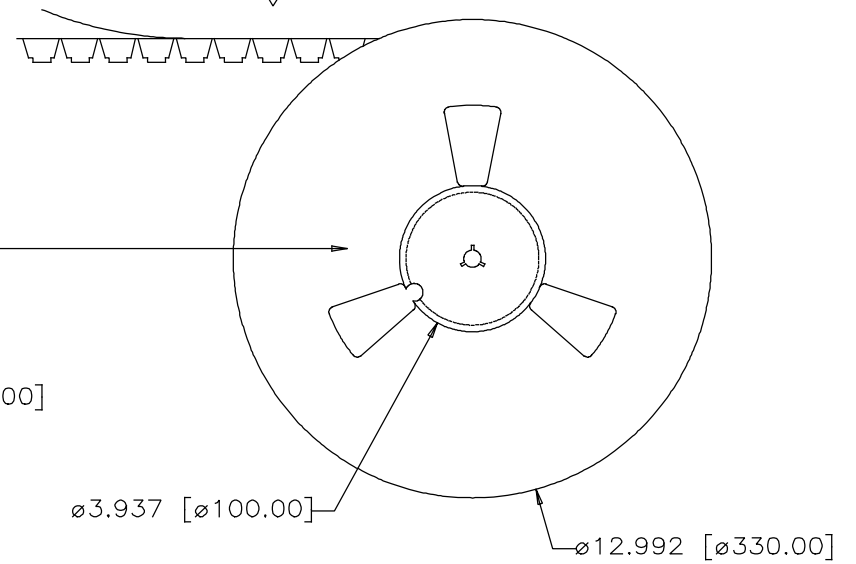
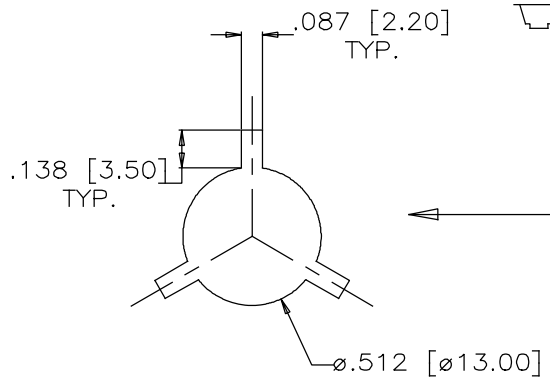
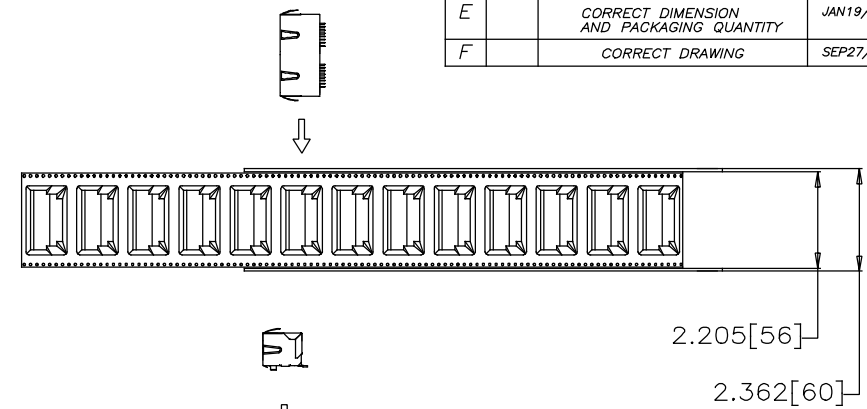
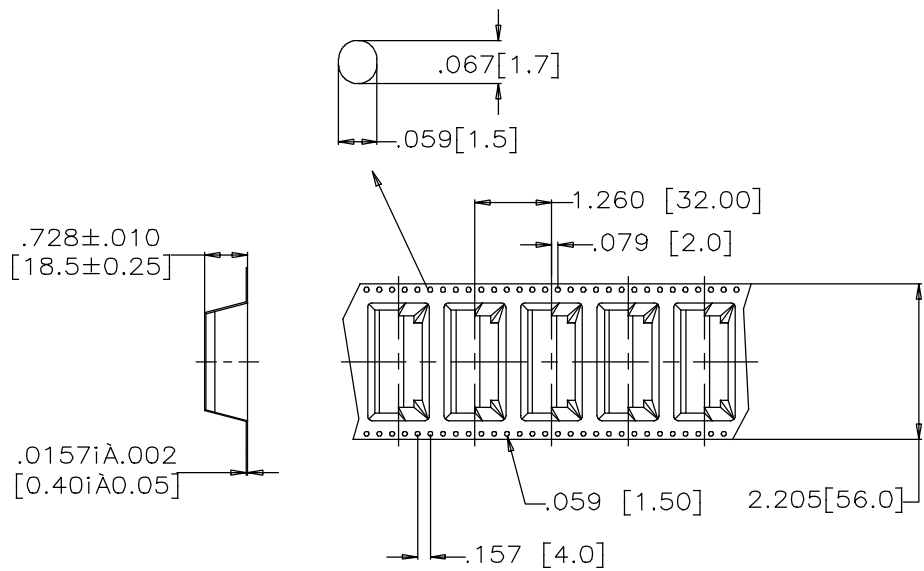
WITH THE MODULAR JACK SITTING ON A LEVEL SURFACE,
THE MAXIMUM GAP BETWEEN THE LEVEL SURFACE OF SHIELD
TAB AND ALL TERMINAL TAILS IS .004 [0.10].

PART NUMBER: RJSS-5380-02T

MATERIAL -----	DRAWN	Edwin.Qu	DATE	MAR05/12	Amphenol Canada Corp.
	DESIGNED				
	CHECKED	L.CHAN		MAR05/12	
	I. E. APPRD.	Andy.C		MAR05/12	
FINISH -----	Q. A. APPRD.			MAR05/12	TITLE 2 PORT, SURFACE MOUNT, RJ45 ,MODULAR JACK, 8 POSITION, 8 CONTACTS, SHIELDED, -ROHS COMPLIANT
	DWG. APPRD.				
	ENG. REL. NO.				
	REF.				
DIMENSIONS ARE IN		CODE ID. NO.			
INCHES [mm]		03554			
DWG	DRAWING NO.			REV.	
C	P-RJSS-5380-02T			F	
SCALE	3/1	WT.	SURF.	SHEET 1 OF 1	

THIS DOCUMENT CONTAINS PROPRIETARY INFORMATION AND SUCH INFORMATION
MAY NOT BE DISCLOSED TO OTHERS FOR ANY PURPOSE OR USED FOR MANUFACTURING
PURPOSES WITHOUT WRITTEN PERMISSION FROM AMPHENOL CANADA CORP.

REVISIONS				
SYM	ZONE	ECN, ERN NO.	DATE	APPRD.
B		CORRECT THE PLATING OF SHIELD	JUL27/12	L.CHAN
C		PROPOSAL	OCT23/14	L.CHAN
D		UPDATED DRAWING	MAR12/15	L.CHAN
E		CORRECT DIMENSION AND PACKAGING QUANTITY	JAN19/16	L.CHAN
F		CORRECT DRAWING	SEP27/16	L.CHAN



PACKAGING NOTES:

- ONE REEL SHOULD HOLD 100 CONNECTORS.
- 10 EMPTY CAVITIES FOR BOTH TOP AND BOTTOM OF THE CARRIER.
- A FULLY LOADED CARTON SHOULD CONTAIN 5 REELS (500 PCS) OF CONNECTOR.

THIS DOCUMENT CONTAINS PROPRIETARY INFORMATION AND SUCH INFORMATION MAY NOT BE DISCLOSED TO OTHERS FOR ANY PURPOSE OR USED FOR MANUFACTURING PURPOSES WITHOUT WRITTEN PERMISSION FROM AMPHENOL CANADA CORP.

MATERIAL -----	DRAWN	Edwin.Qu	DATE	MAR05/12	Amphenol Canada Corp.				
	DESIGNED								
	CHECKED	L.CHAN		MAR05/12					
	I. E. APPRD.	Andy.C		MAR05/12					
	Q. A. APPRD.			MAR05/12					
FINISH -----	DWG. APPRD.				TITLE	2 PORT, SURFACE MOUNT, RJ45 ,MODULAR JACK, 8 POSITION, 8 CONTACTS,SHIELDED, -ROHS COMPLIANT			
	ENG. REL. NO.				DWG	DRAWING NO.	P-RJSSE-5380-02T	REV.	F
	REF.								
	DIMENSIONS ARE IN	INCHES	[mm]	CODE ID. NO.	03554				
	SCALE			WT.	-----	SURF.	-----	SHEET	2 OF 2