



Chipsmall Limited consists of a professional team with an average of over 10 year of expertise in the distribution of electronic components. Based in Hongkong, we have already established firm and mutual-benefit business relationships with customers from,Europe,America and south Asia,supplying obsolete and hard-to-find components to meet their specific needs.

With the principle of "Quality Parts,Customers Priority,Honest Operation,and Considerate Service",our business mainly focus on the distribution of electronic components. Line cards we deal with include Microchip,ALPS,ROHM,Xilinx,Pulse,ON,Everlight and Freescale. Main products comprise IC,Modules,Potentiometer,IC Socket,Relay,Connector.Our parts cover such applications as commercial,industrial, and automotives areas.

We are looking forward to setting up business relationship with you and hope to provide you with the best service and solution. Let us make a better world for our industry!



Contact us

Tel: +86-755-8981 8866 Fax: +86-755-8427 6832

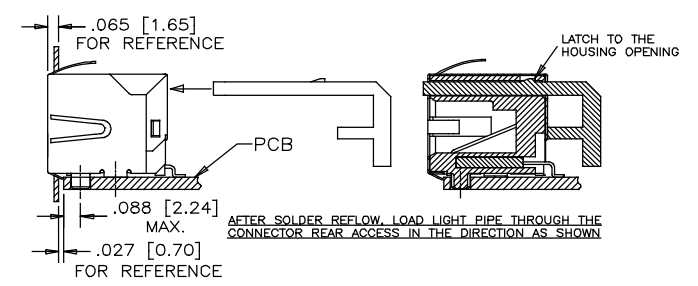
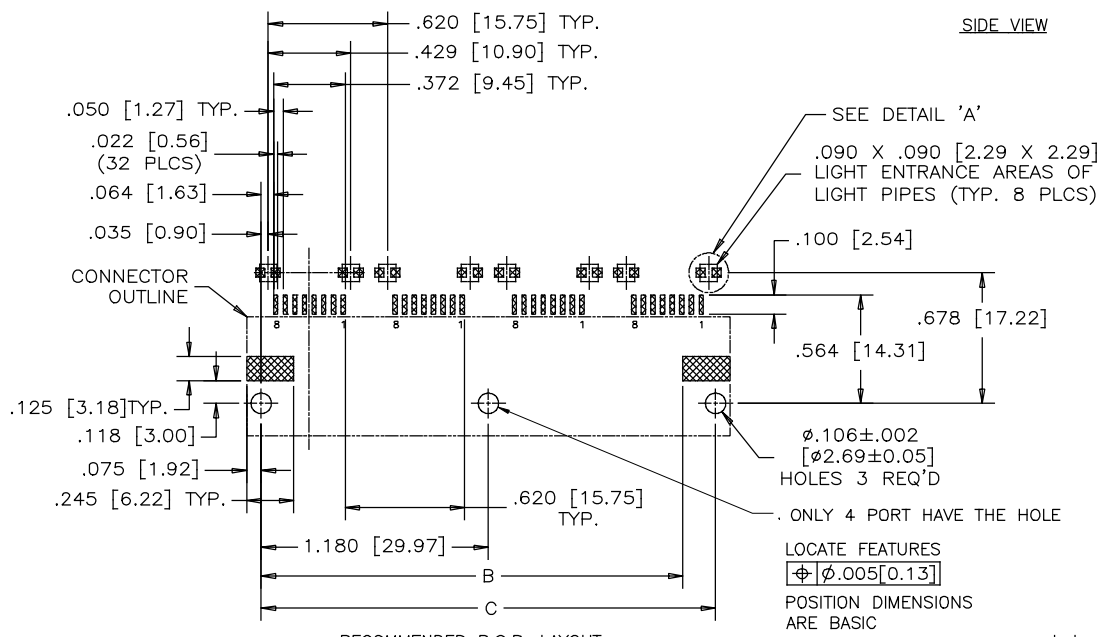
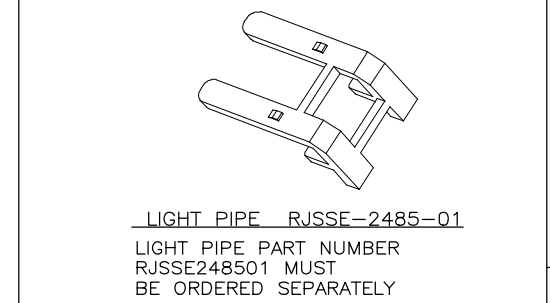
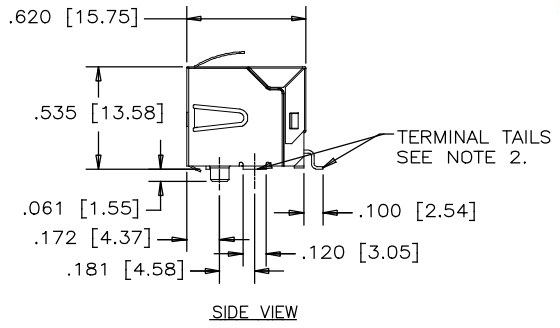
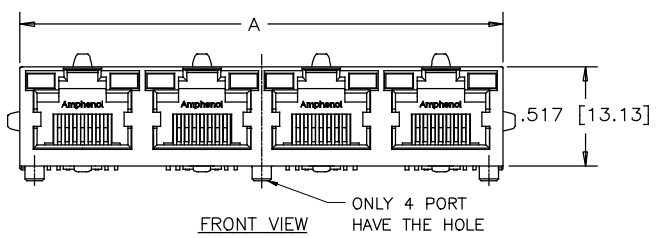
Email & Skype: info@chipsmall.com Web: www.chipsmall.com

Address: A1208, Overseas Decoration Building, #122 Zhenhua RD., Futian, Shenzhen, China





REVISIONS				
SYM	ZONE	DESCRIPTION	DATE	APPRD.
A		PROPOSAL	SEPT 22/08	L.CHAN
B		UPDATE DRAWING	MAR 12/15	L.CHAN
C		CORRECT DIMENSION	JAN 14/16	L.CHAN



NOTE:
 1. MATERIALS:
 PLASTIC HOUSING: HIGH TEMPERATURE THERMOPLASTIC
 FLAMMABILITY RATING UL 94V-0
 COLOR: BLACK

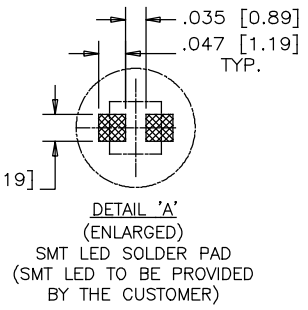
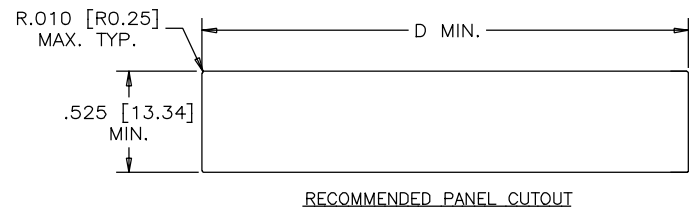
CONTACTS: PHOSPHOR BRONZE
 PLATING: 20 μ" [0.51 MICRONS]
 MIN. GOLD ON MATING SURFACES.
 50 μ" [1.27 MICRONS]
 MIN. NICKEL UNDERPLATE.
 100 μ" [2.54 MICRONS]
 MIN. PURE TIN ON CONTACT TAILS.

SHIELD: COPPER ALLOY PLATED NICKEL

2. COPLANARITY SPECIFICATION:
 WITH THE MODULAR JACK SITTING ON A LEVEL SURFACE,
 THE MAXIMUM GAP BETWEEN BOTH SHIELD NAILS AND ALL
 TERMINAL TAILS IS .004 [0.10].

AMPHENOL PART NUMBER: RJ SSE-5382-XX

PORT NUMBER
 BLANK-1 PORT
 02-2 PORT
 04-4 PORT



NUMBER OF PORT	DIM A	DIM B	DIM C	DIM D
1 PORT	.650 [16.51]	.330 [8.38]	.500 [12.70]	.665 [16.89]
2 PORT	1.27 [32.26]	.780 [19.81]	1.120 [28.45]	1.285 [32.64]
4 PORT	2.510 [63.75]	2.190 [55.64]	2.360 [59.94]	2.525 [64.14]

DRAWN	J.OUYANG	DATE	SEPT 22/08
DESIGNED	MT.CHAN	DATE	SEPT 22/08
CHECKED	L.CHAN	DATE	SEPT 22/08
I. E. APPRD.			
Q. A. APPRD.			
DWG. APPRD.			
ENG. REL. NO.			
REF.	EAR #13336		
DIMENSIONS ARE IN		CODE ID. NO.	
INCHES [mm]		03554	

Amphenol Canada Corp.			
TITLE SURFACE MOUNT JACK, 8 POSITION, 8 CONTACTS, SHIELDED, WITH LIGHT PIPES HOLE, LIGHT PIPE ORDERED SEPARATELY- RoHS COMPLIANT			
DWG	DRAWING NO.	REV.	
C	P-RJSSE-5382-XX	C	
SCALE	2:1	WT.	SURF.
		SHEET 1 OF 1	

THIS DOCUMENT CONTAINS PROPRIETARY INFORMATION AND SUCH INFORMATION MAY NOT BE DISCLOSED TO OTHERS FOR ANY PURPOSE OR USED FOR MANUFACTURING PURPOSES WITHOUT WRITTEN PERMISSION FROM AMPHENOL CANADA CORP.