



Chipsmall Limited consists of a professional team with an average of over 10 year of expertise in the distribution of electronic components. Based in Hongkong, we have already established firm and mutual-benefit business relationships with customers from,Europe,America and south Asia,supplying obsolete and hard-to-find components to meet their specific needs.

With the principle of “Quality Parts,Customers Priority,Honest Operation,and Considerate Service”,our business mainly focus on the distribution of electronic components. Line cards we deal with include Microchip,ALPS,ROHM,Xilinx,Pulse,ON,Everlight and Freescale. Main products comprise IC,Modules,Potentiometer,IC Socket,Relay,Connector.Our parts cover such applications as commercial,industrial, and automotives areas.

We are looking forward to setting up business relationship with you and hope to provide you with the best service and solution. Let us make a better world for our industry!



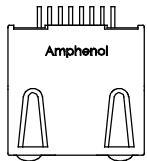
Contact us

Tel: +86-755-8981 8866 Fax: +86-755-8427 6832

Email & Skype: info@chipsmall.com Web: www.chipsmall.com

Address: A1208, Overseas Decoration Building, #122 Zhenhua RD., Futian, Shenzhen, China



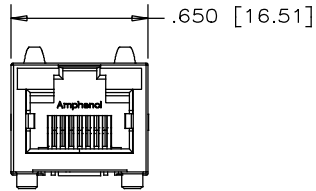


TOP VIEW

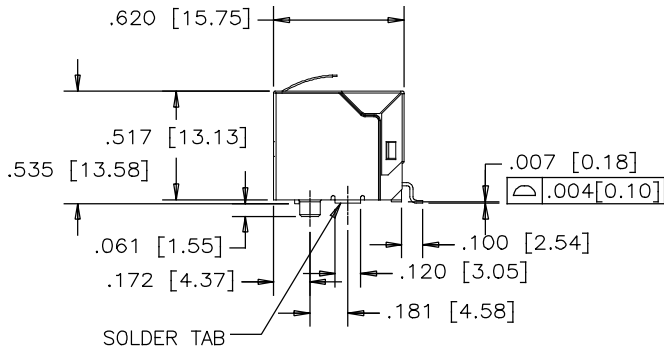
R.010 [R0.25] MAX. TYP. .665 [16.89] MIN.

.525 [13.34] MIN.

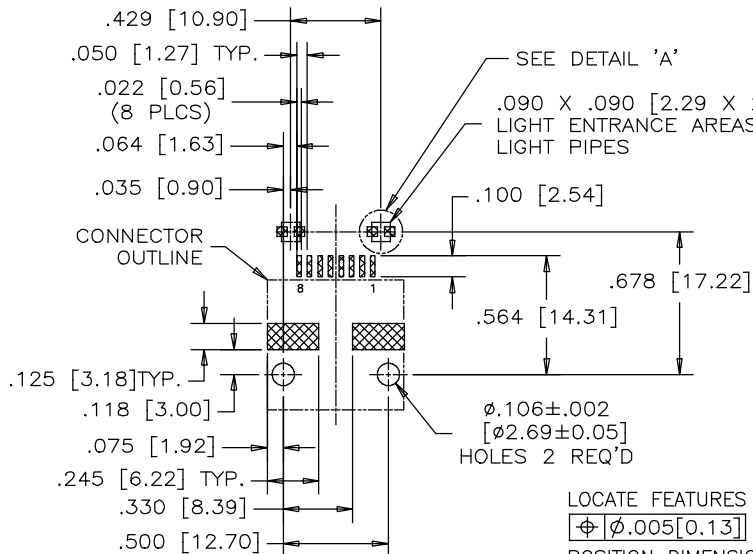
RECOMMENDED PANEL CUTOUT



FRONT VIEW

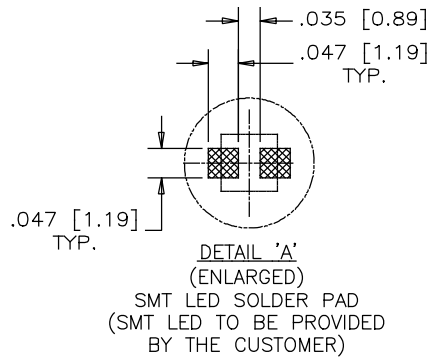


SIDE VIEW



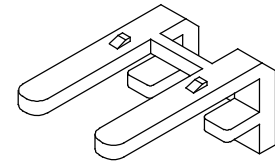
RECOMMENDED P.C.B. LAYOUT (COMPONENT SIDE OF BOARD)

LOCATE FEATURES
 $\phi .005 [0.13]$
 POSITION DIMENSIONS ARE BASIC



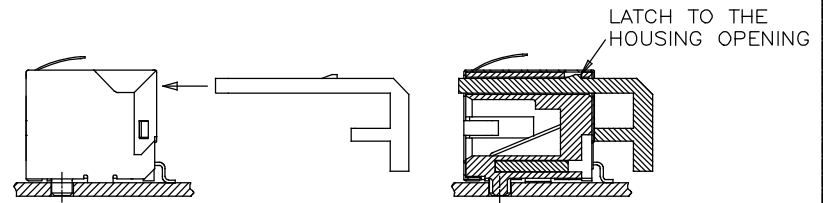
DETAIL 'A' (ENLARGED)
 SMT LED SOLDER PAD (SMT LED TO BE PROVIDED BY THE CUSTOMER)

| REVISIONS | | | | |
|-----------|------|-------------------|-----------|--------|
| SYM | ZONE | ECN, ERN NO. | DATE | APPRD. |
| A | | PROPOSAL | JAN 26.10 | L.C |
| B | | CORRECT DIMENSION | JAN 19.16 | L.CHAN |



LIGHT PIPE: RJSSE-2485-01

RJSSE-2485-01 MUST BE ORDERED SEPARATELY
 RJSSE-2485-01 MUST BE PACKED SEPARATELY



AFTER SOLDER REFLOW, LOAD LIGHT PIPE THROUGH THE CONNECTOR REAR ACCESS IN THE DIRECTION AS SHOWN

- MATERIALS:**
 PLASTIC HOUSING: ENGINEERING THERMOPLASTIC
 FLAMMABILITY RATING UL 94V-0
- CONTACTS:**
 PHOSPHOR BRONZE
 PLATING: 20 u" [0.508 MICRONS] MIN. GOLD ON MATING SURFACES.
 50 u" [1.27 MICRONS] MIN. NICKEL UNDERPLATE.
 100 u" [2.54 MICRONS] MIN. MATTE TIN ON CONTACT TAILS.
- SHIELD:**
 COPPER ALLOY
 PLATING: NICKEL

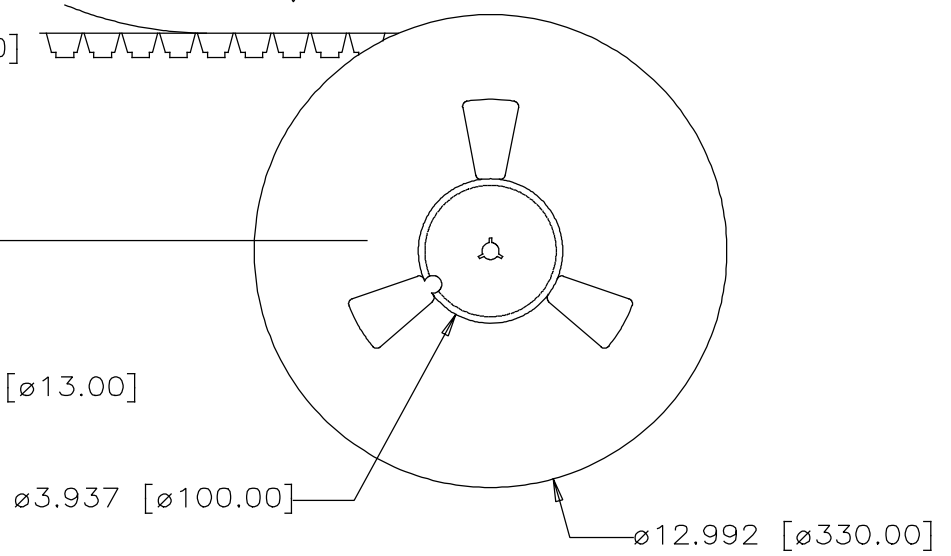
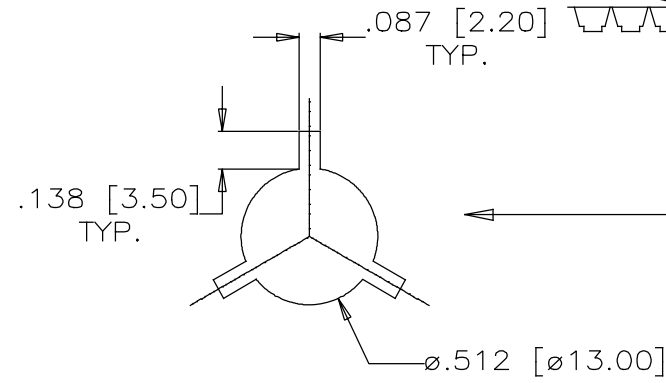
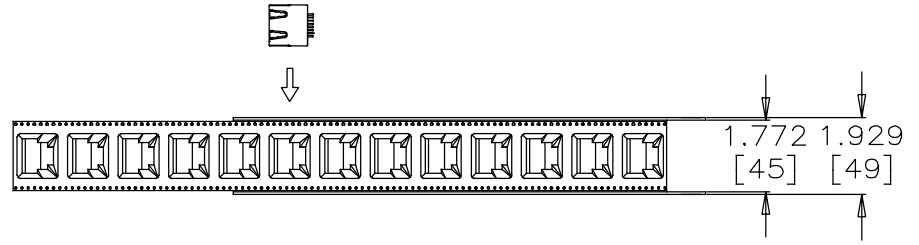
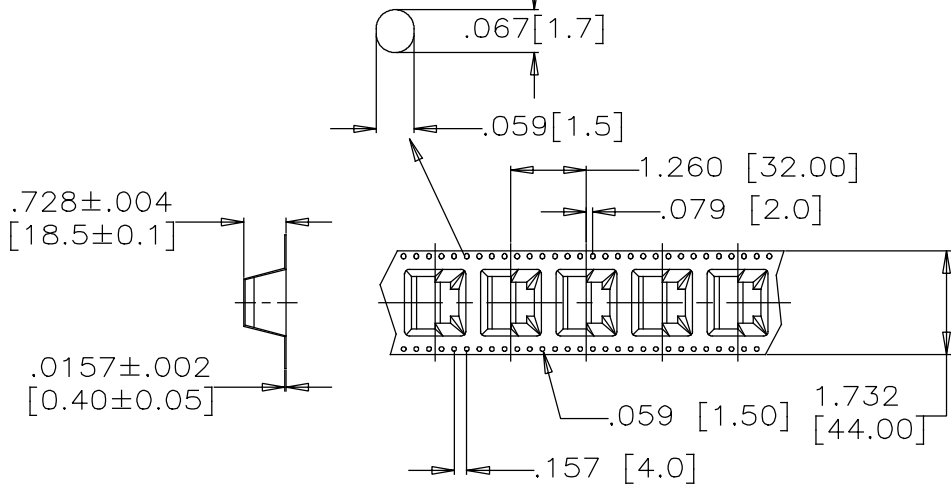


PART NUMBER: RJSSE-5582-01T

| | | | | |
|-------------------------------|----------------------------------------------------------------------|-----|--------------------|------------------------------------------------------------------------------------------------------------------|
| MATERIAL ----- | DRAWN | MT | DATE | Amphenol Canada Corp. |
| | DESIGNED | MT | JAN 26.10 | |
| FINISH ----- | CHECKED | L.C | JAN 26.10 | TITLE |
| | I. E. APPRD. Q. A. APPRD. DWG. APPRD. ENG. REL. NO. REF. | | | SINGLE PORT, SURFACE MOUNT RJ45 8 POSITION, 8 CONTACTS, SHIELDED WITHOUT LIGHT PIPE, TAPE & REEL PACKAGING |
| DIMENSIONS ARE IN INCHES [mm] | | | CODE ID. NO. 03554 | DWG. C |
| SCALE 2:1 | | | WT. ----- | SURF. ----- |
| SHEET 1 OF 1 | | | | REV. B |

THIS DOCUMENT CONTAINS PROPRIETARY INFORMATION AND SUCH INFORMATION MAY NOT BE DISCLOSED TO OTHERS FOR ANY PURPOSE OR USED FOR MANUFACTURING PURPOSES WITHOUT WRITTEN PERMISSION FROM AMPHENOL CANADA CORP.

| REVISIONS | | | | |
|-----------|------|-------------------|-----------|--------|
| SYM | ZONE | ECN, ERN NO. | DATE | APPRD. |
| A | | PROPOSAL | Feb 27.09 | L.C |
| B | | CORRECT DIMENSION | JAN 19.16 | L.CHAN |



PACKAGING NOTES:

1. ONE REEL SHOULD HOLD 100 CONNECTORS.
2. 10 EMPTY CAVITIES FOR BOTH TOP AND BOTTOM OF THE CARRIER.
3. A FULLY LOADED CARTON SHOULD CONTAIN 6 REELS (600 PCS) OF CONNECTOR.

| | | | | |
|----------|-------------------|-------------|--------------|-----------|
| MATERIAL | DRAWN | MT | DATE | JAN 26.10 |
| | DESIGNED | MT | JAN 26.10 | |
| FINISH | CHECKED | L.C | JAN 26.10 | |
| | I. E. APPRD. | | | |
| | Q. A. APPRD. | | | |
| | DWG. APPRD. | | | |
| | ENG. REL. NO. | | | |
| | REF. | | | |
| | DIMENSIONS ARE IN | INCHES [mm] | CODE ID. NO. | 03554 |

| | | | |
|------------------------------------------------------------------------------------------------------------------------|-------------|------------------|--------------|
| Amphenol Canada Corp. | | | |
| TITLE SINGLE PORT, SURFACE MOUNT RJ45 8 POSITION, 8 CONTACTS, SHIELDED WITHOUT LIGHT PIPE, TAPE & REEL PACKAGING | | | |
| DWG | DRAWING NO. | P-RJSSE-5582-01T | REV. B |
| SCALE | WT. | SURF. | SHEET 2 OF 2 |

THIS DOCUMENT CONTAINS PROPRIETARY INFORMATION AND SUCH INFORMATION MAY NOT BE DISCLOSED TO OTHERS FOR ANY PURPOSE OR USED FOR MANUFACTURING PURPOSES WITHOUT WRITTEN PERMISSION FROM AMPHENOL CANADA CORP.