



Chipsmall Limited consists of a professional team with an average of over 10 year of expertise in the distribution of electronic components. Based in Hongkong, we have already established firm and mutual-benefit business relationships with customers from,Europe,America and south Asia,supplying obsolete and hard-to-find components to meet their specific needs.

With the principle of “Quality Parts,Customers Priority,Honest Operation,and Considerate Service”,our business mainly focus on the distribution of electronic components. Line cards we deal with include Microchip,ALPS,ROHM,Xilinx,Pulse,ON,Everlight and Freescale. Main products comprise IC,Modules,Potentiometer,IC Socket,Relay,Connector.Our parts cover such applications as commercial,industrial, and automotives areas.

We are looking forward to setting up business relationship with you and hope to provide you with the best service and solution. Let us make a better world for our industry!



## Contact us

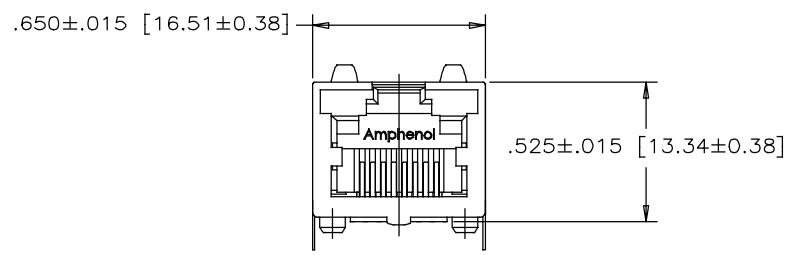
Tel: +86-755-8981 8866 Fax: +86-755-8427 6832

Email & Skype: info@chipsmall.com Web: www.chipsmall.com

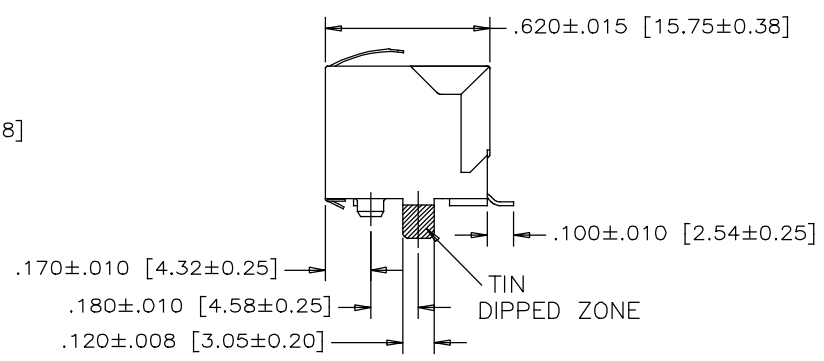
Address: A1208, Overseas Decoration Building, #122 Zhenhua RD., Futian, Shenzhen, China



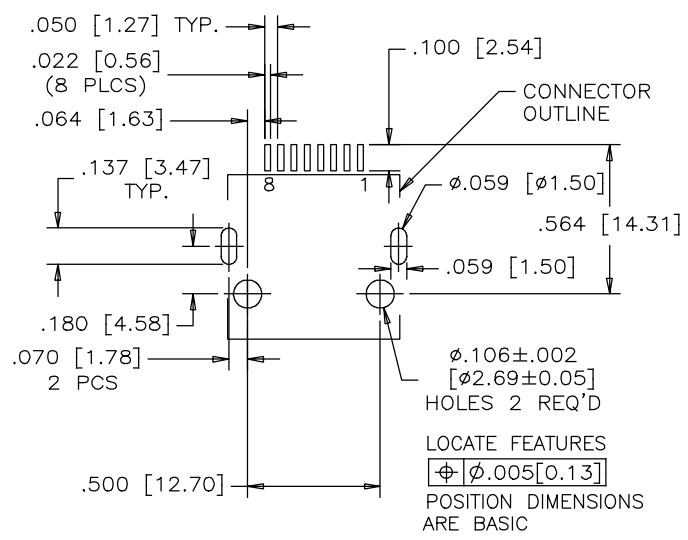
REVISIONS				
SYM	ZONE	ECN, ERN NO.	DATE	APPRD.
B		PROPOSAL	Jul 5.09	L.CHAN
C		ADD PACKING DRAWING	July 28.09	L.CHAN
D		MODIFY TRAY PER CUSTOMER REQUIREMENT	Aug 25.09	L.CHAN
E		CORRECT ERROR	JUL 08.14	L.CHAN



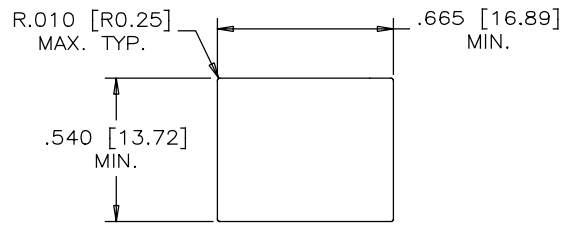
FRONT VIEW



SIDE VIEW



RECOMMENDED P.C.B. LAYOUT  
(COMPONENT SIDE OF BOARD)



RECOMMENDED PANEL CUTOUT

MATERIALS:

PLASTIC HOUSING: HIGH TEMPERATURE THERMOPLASTIC  
FLAMMABILITY RATING UL 94V-0 COLOR: BLACK.

CONTACTS:

PHOSPHOR BRONZE  
PLATING: 20 μ" [0.51 MICRONS]  
MIN. GOLD ON MATING SURFACES.  
50 μ" [1.27 MICRONS]  
MIN. NICKEL UNDERPLATE  
100 μ" [2.54 MICRONS]  
MIN. MATTE TIN ON CONTACT TAILS.

SHIELD:

COPPER ALLOY  
PLATING: NICKEL

PART NUMBER: RJSSE-5S80

SHELL OPTION \_\_\_\_\_  
S - SPECIAL SOLDER  
TAIL OF SHEEL

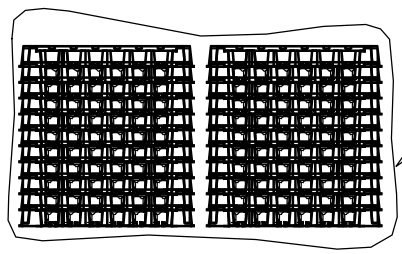
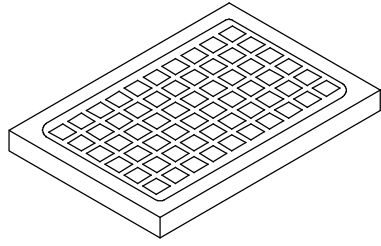


DRAWN	MT.chen	DATE	Jul 4.09
DESIGNED			
CHECKED	L.CHAN	DATE	Jul 4.09
I. E. APPRD.	Oyang	DATE	Jul 4.09
Q. A. APPRD.	Joe	DATE	Jul 4.09
DWG. APPRD.			
ENG. REL. NO.			
REF.			
DIMENSIONS ARE IN		CODE ID. NO.	
INCHES [mm]		03554	

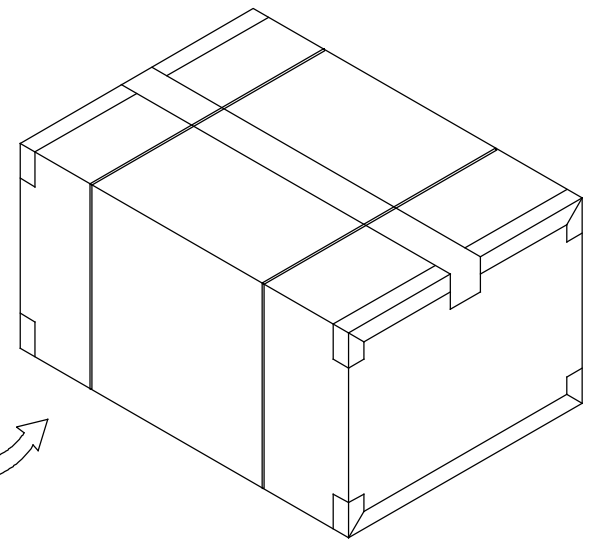
Amphenol Canada Corp.			
TITLE SINGLE PORT, SURFACE MOUNT, RJ45 MODULAR JACK, 8 POSITION, 8 CONTACTS, SHIELDED, NO SIDE TABS, WITHOUT LEDS - RoHS COMPLAINT			
DWG	DRAWING NO.	REV.	
	P-RJSSE-5S80	E	
SCALE	WT.	SURF.	SHEET 1 OF 2

THIS DOCUMENT CONTAINS PROPRIETARY INFORMATION AND SUCH INFORMATION MAY NOT BE DISCLOSED TO OTHERS FOR ANY PURPOSE OR USED FOR MANUFACTURING PURPOSES WITHOUT WRITTEN PERMISSION FROM AMPHENOL CANADA CORP.

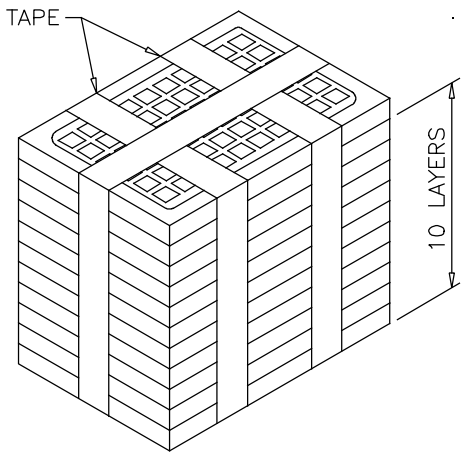
REVISIONS				
SYM	ZONE	ECN, ERN NO.	DATE	APPRD.
A		PROPOSAL	Jul 4.09	L.CHAN
B		PROPOSAL	Jul 5.09	L.CHAN
C		ADD PACKING DRAWING	July 28.09	L.CHAN
D		MODIFY TRAY PER CUSTOMER REQUIREMENT	Aug 25.09	L.CHAN
E		CORRECT ERROR	JUL 08.16	L.CHAN



BAG

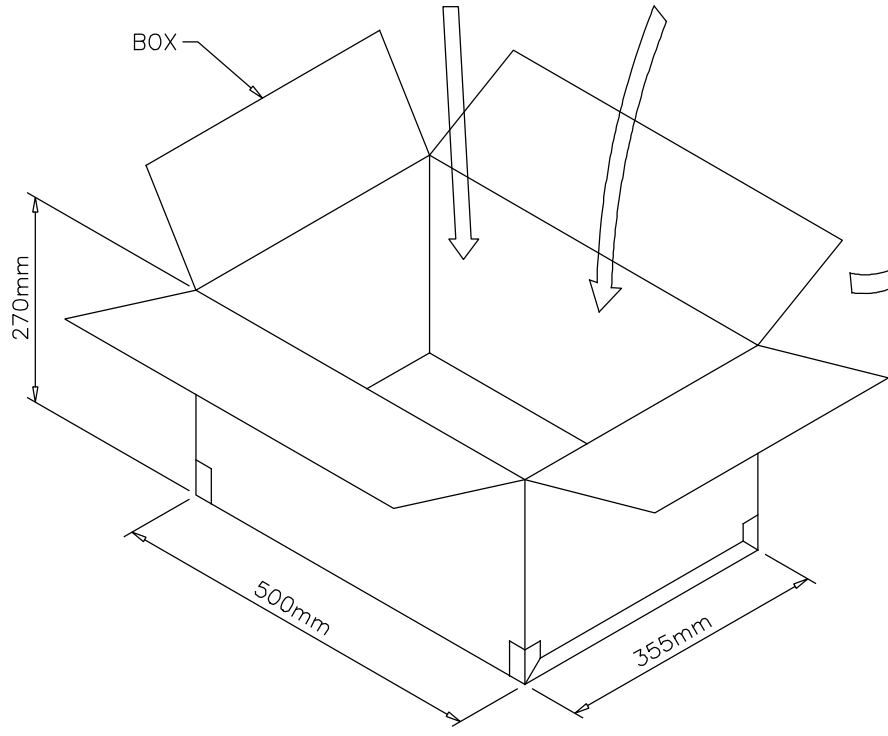


BOX



TAPE

10 LAYERS



NOTES:

1. EACH TRAY PACK 60PCS CONNECTORS
2. EACH CARTON PACK 20 TRAYS (1200 PCS CONNECTORS)

DRAWN	MT.chen	DATE	Jul 4.09
DESIGNED			
CHECKED	L.CHAN	DATE	Jul 4.09
I. E. APPRD.	Oyang	DATE	Jul 4.09
Q. A. APPRD.	Joe	DATE	Jul 4.09
DWG. APPRD.			
ENG. REL. NO.			
REF.			
DIMENSIONS ARE IN	CODE ID. NO.		
INCHES [mm]	03554		

Amphenol Canada Corp.			
TITLE SINGLE PORT, SURFACE MOUNT, RJ45 MODULAR JACK, 8 POSITION, 8 CONTACTS, SHIELDED, NO SIDE TABS, WITHOUT LEDs - PACKING DRAWING ( RoHS COMPLAINT)			
DWG	DRAWING NO.	REV.	
	P-RJSSE-5S80	E	
SCALE	WT. -----	SURF. -----	SHEET 2 of 2

THIS DOCUMENT CONTAINS PROPRIETARY INFORMATION AND SUCH INFORMATION MAY NOT BE DISCLOSED TO OTHERS FOR ANY PURPOSE OR USED FOR MANUFACTURING PURPOSES WITHOUT WRITTEN PERMISSION FROM AMPHENOL CANADA CORP.