



Chipsmall Limited consists of a professional team with an average of over 10 year of expertise in the distribution of electronic components. Based in Hongkong, we have already established firm and mutual-benefit business relationships with customers from,Europe,America and south Asia,supplying obsolete and hard-to-find components to meet their specific needs.

With the principle of "Quality Parts,Customers Priority,Honest Operation,and Considerate Service",our business mainly focus on the distribution of electronic components. Line cards we deal with include Microchip,ALPS,ROHM,Xilinx,Pulse,ON,Everlight and Freescale. Main products comprise IC,Modules,Potentiometer,IC Socket,Relay,Connector.Our parts cover such applications as commercial,industrial, and automotives areas.

We are looking forward to setting up business relationship with you and hope to provide you with the best service and solution. Let us make a better world for our industry!



## Contact us

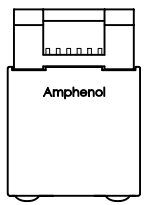
Tel: +86-755-8981 8866 Fax: +86-755-8427 6832

Email & Skype: info@chipsmall.com Web: www.chipsmall.com

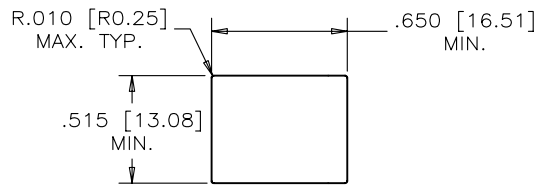
Address: A1208, Overseas Decoration Building, #122 Zhenhua RD., Futian, Shenzhen, China



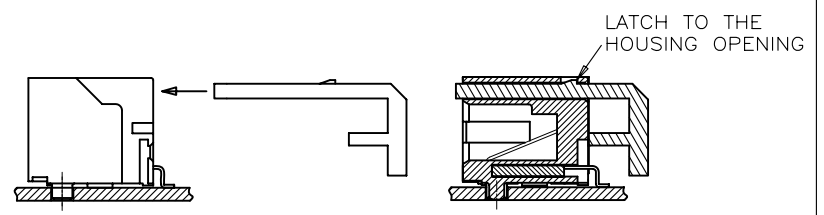
REVISIONS				
SYM	ZONE	ECN, ERN NO.	DATE	APPRD.
A		PER ECN E07248	JUL25/07	L.CHAN



TOP VIEW

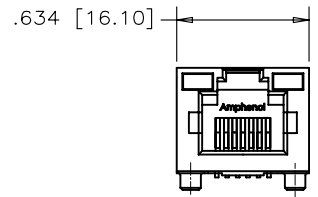


RECOMMENDED PANEL CUTOUT

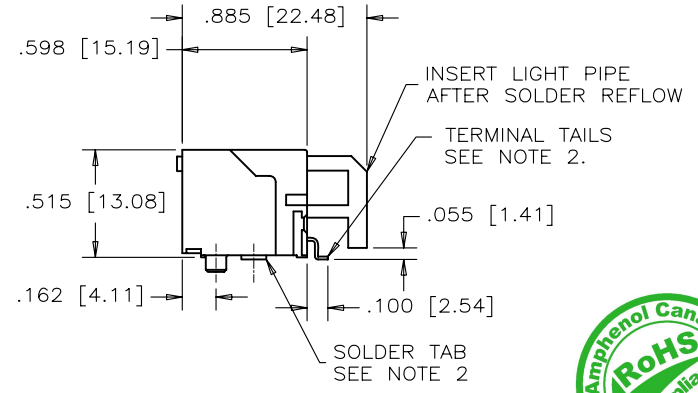


AFTER SOLDER REFLOW, LOAD LIGHT PIPE THROUGH THE CONNECTOR REAR ACCESS IN THE DIRECTION AS SHOWN

DATA CONTROL  
RELEASE  
DEPT. NO. ---626---  
REV. JAY BERRY



FRONT VIEW



SIDE VIEW



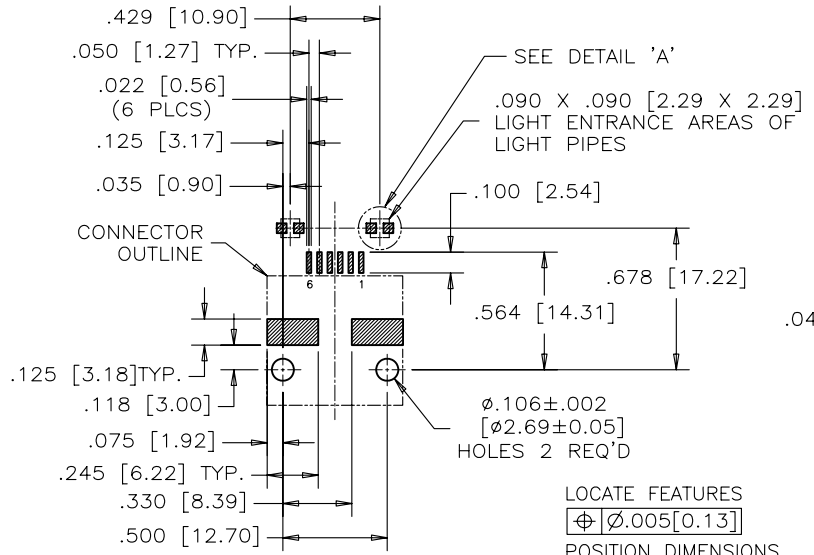
NOTES

1. MATERIAL:

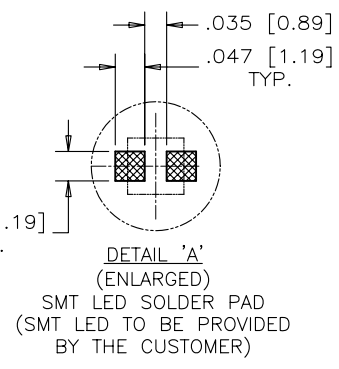
- HOUSING: HIGH TEMPERATURE THERMOPLASTIC  
FLAMMABILITY RATING UL 94V-0  
COLOR:BLACK
- CONTACTS: PHOSPHOR BRONZE  
PLATING: 20 μ" [0.508 MICRONS]  
MIN. GOLD ON MATING SURFACES.  
50 μ" [1.27 MICRONS]  
MIN. NICKEL UNDERPLATE  
100 μ" [2.54 MICRONS]  
MIN. MATTE OR BRIGHT TIN  
ON CONTACT TAILS.
- LIGHT PIPE: CLEAR POLYCARBONATE  
FLAMMABILITY RATING UL 94V-0

2. COPLANARITY SPECIFICATION:

WITH THE MODULAR JACK SITTING ON A LEVEL SURFACE, THE MAXIMUM GAP BETWEEN THE LEVEL SURFACE AND ALL TERMINAL TAILS AND BOTH FITTING NAILS IS .004 [0.10].



RECOMMENDED P.C.B. LAYOUT  
(COMPONENT SIDE OF BOARD)



DETAIL 'A'  
(ENLARGED)  
SMT LED SOLDER PAD  
(SMT LED TO BE PROVIDED  
BY THE CUSTOMER)

LOCATE FEATURES  
⊕ ⌀.005 [0.13]  
POSITION DIMENSIONS  
ARE BASIC

PART NUMBER: RJSE-7061

MATERIAL -----	DRAWN	J.OUYANG	DATE	JUL25/07	Amphenol Canada Corp.
	DESIGNED				
FINISH -----	CHECKED	CHIGOW	JUL25/07	TITLE	SURFACE MOUNT, RJ11 6 POSITION, 6 CONTACTS, UNSHIELDED, WITH LIGHT PIPES-ROHS COMPLIANT
	I. E. APPRD.	JEFFS	JUL25/07	DWG.	DRAWING NO. P-RJSSE-7061
	Q. A. APPRD.			REF.	EAR # A070709
	DWG. APPRD.			DIMENSIONS ARE IN	CODE ID. NO.
	ENG. REL. NO.	E07248		INCHES [mm]	0.3554
	SCALE	NTS	WT.	SURF.	SHEET 1 OF 1

THIS DOCUMENT CONTAINS PROPRIETARY INFORMATION AND SUCH INFORMATION MAY NOT BE DISCLOSED TO OTHERS FOR ANY PURPOSE OR USED FOR MANUFACTURING PURPOSES WITHOUT WRITTEN PERMISSION FROM AMPHENOL CANADA CORP.