



Chipsmall Limited consists of a professional team with an average of over 10 year of expertise in the distribution of electronic components. Based in Hongkong, we have already established firm and mutual-benefit business relationships with customers from,Europe,America and south Asia,supplying obsolete and hard-to-find components to meet their specific needs.

With the principle of “Quality Parts,Customers Priority,Honest Operation,and Considerate Service”,our business mainly focus on the distribution of electronic components. Line cards we deal with include Microchip,ALPS,ROHM,Xilinx,Pulse,ON,Everlight and Freescale. Main products comprise IC,Modules,Potentiometer,IC Socket,Relay,Connector.Our parts cover such applications as commercial,industrial, and automotives areas.

We are looking forward to setting up business relationship with you and hope to provide you with the best service and solution. Let us make a better world for our industry!



## Contact us

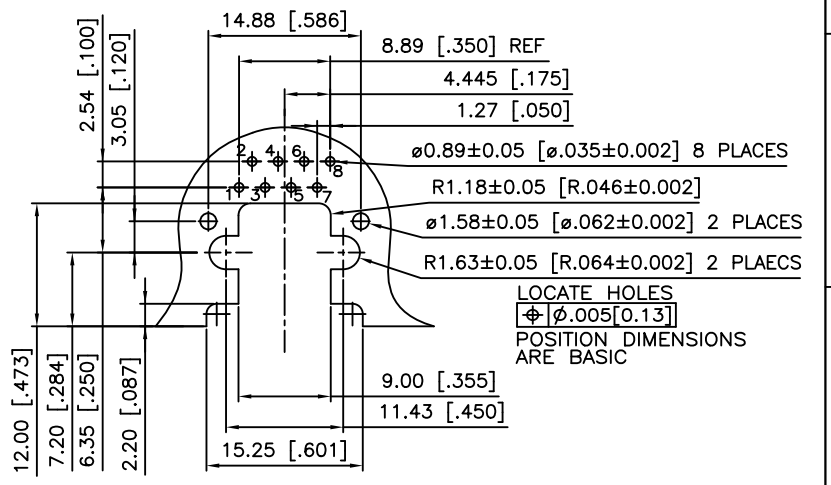
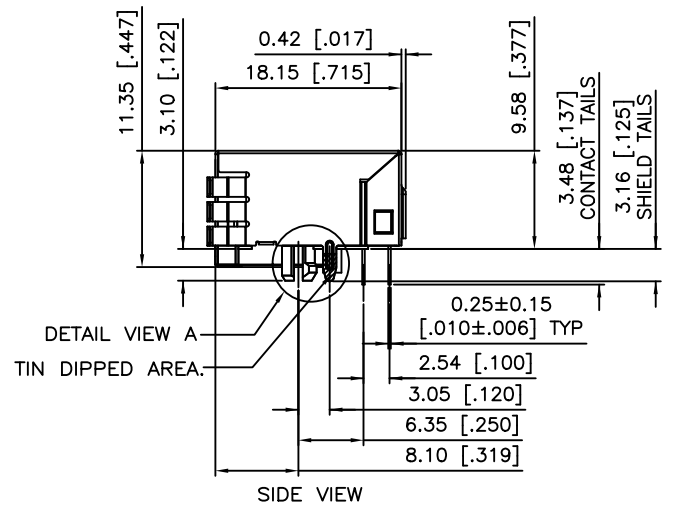
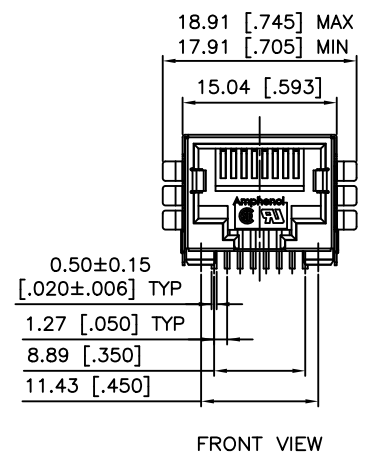
Tel: +86-755-8981 8866 Fax: +86-755-8427 6832

Email & Skype: info@chipsmall.com Web: www.chipsmall.com

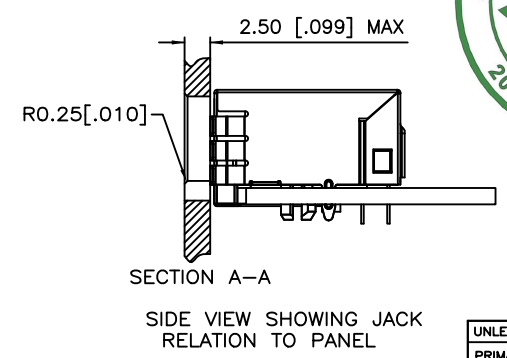
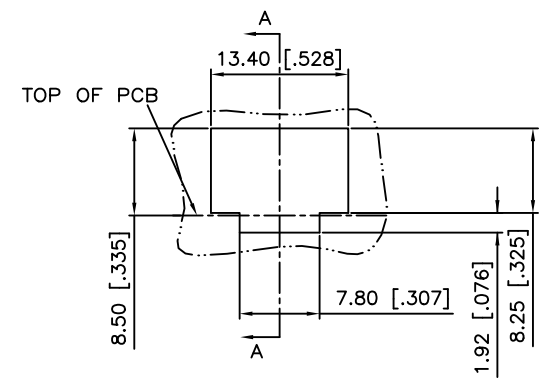
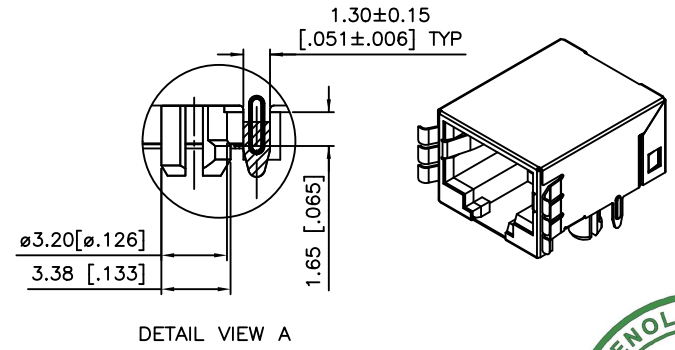
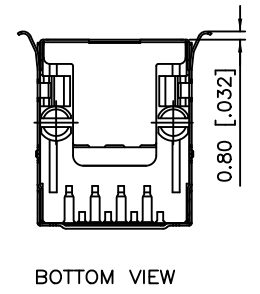
Address: A1208, Overseas Decoration Building, #122 Zhenhua RD., Futian, Shenzhen, China



REVISIONS			
REV	DESCRIPTION, ECN, EAR NO.	DATE	APP'D
A	PROPOSAL PER ECN E07035	FEB 27/07	L.CHAN
J	PROPOSAL	JAN 30/08	L.CHAN
K	ADD TIN DIPPED ON SHIELD TAIL	SEP 20/12	L.CHAN
L	ADD PIN DIMENSIONS AND TOLERANCE	FEB 15/17	L.CHAN



LOCATE HOLES  
 ⌀ .005 [.013]  
 POSITION DIMENSIONS ARE BASIC



SIDE VIEW SHOWING JACK RELATION TO PANEL



AMPHENOL PART NUMBER: RJULE-4X182-01

CONTACT PLATING CODE  
 0 = GOLD FLASH  
 1 = 15u"  
 2 = 30u"  
 3 = 50u"

NOTES:  
 MATERIALS:  
 HOUSING: HIGH TEMPERATURE THERMOPLASTIC. FLAMMABILITY RATING UL 94V-0  
 COLOUR: BLACK  
 CONTACTS: PHOSPHOR BRONZE  
 PLATING: GOLD PLATING ON MATING SURFACES. SEE PART NUMBER SYSTEM OPTION  
 50 u" [1.27 MICRONS] MIN. NICKEL UNDERPLATE.  
 100 u" [2.54 MICRONS] MIN. MATTE TIN ON SOLDER AREA.  
 SHELL: BRASS  
 NICKEL PLATING WITH TIN DIPPED ON PCB TAIL.

UNLESS SPECIFIED OTHERWISE	DRAWN Jack Wang	DATE FEB 27/07
PRIMARY UNITS MILLIMETER	CHECKED MT.Chen	DATE FEB 27/07
SECONDARY INCH	M.E. APP'D YM Lee	DATE FEB 27/07
REFERENCE IN PARENTHESES	Q.A. APP'D	
GENERAL TOLERANCES	DWG APPR.	
1 DECIMAL PLACE ±0.50	ENG. REL. NO.	
2 DECIMAL PLACES ±0.30	REF.	
3 DECIMAL PLACES ±0.25	THIRD ANGLE PROJECTION	DO NOT SCALE DRAWING
ANGULAR DEGREES ±1.0°		

**Amphenol Canada Corp.**  
[www.amphenolcanada.com](http://www.amphenolcanada.com)  
 TITLE RJ ULTRA LOW PROFILE MODULAR JACK 8 POSITIONS, 8 CONTACTS, SHIELD WITH REAR PANEL MOUNT TABS. WITHOUT FLANGE-RoHS COMPLIANT  
 DWG. NO. P- RJULE-4X182-01  
 CODE ID NO. 03554 DWG SIZE: C SCALE: N/A SHEET 1 OF 1

THIS DOCUMENT CONTAINS PROPRIETARY INFORMATION AND SUCH INFORMATION MAY NOT BE DISCLOSED TO OTHERS FOR ANY PURPOSE OR USED FOR MANUFACTURING PURPOSES WITHOUT WRITTEN PERMISSION FROM AMPHENOL CANADA CORP.