



Chipsmall Limited consists of a professional team with an average of over 10 year of expertise in the distribution of electronic components. Based in Hongkong, we have already established firm and mutual-benefit business relationships with customers from,Europe,America and south Asia,supplying obsolete and hard-to-find components to meet their specific needs.

With the principle of "Quality Parts,Customers Priority,Honest Operation,and Considerate Service",our business mainly focus on the distribution of electronic components. Line cards we deal with include Microchip,ALPS,ROHM,Xilinx,Pulse,ON,Everlight and Freescale. Main products comprise IC,Modules,Potentiometer,IC Socket,Relay,Connector.Our parts cover such applications as commercial,industrial, and automotives areas.

We are looking forward to setting up business relationship with you and hope to provide you with the best service and solution. Let us make a better world for our industry!



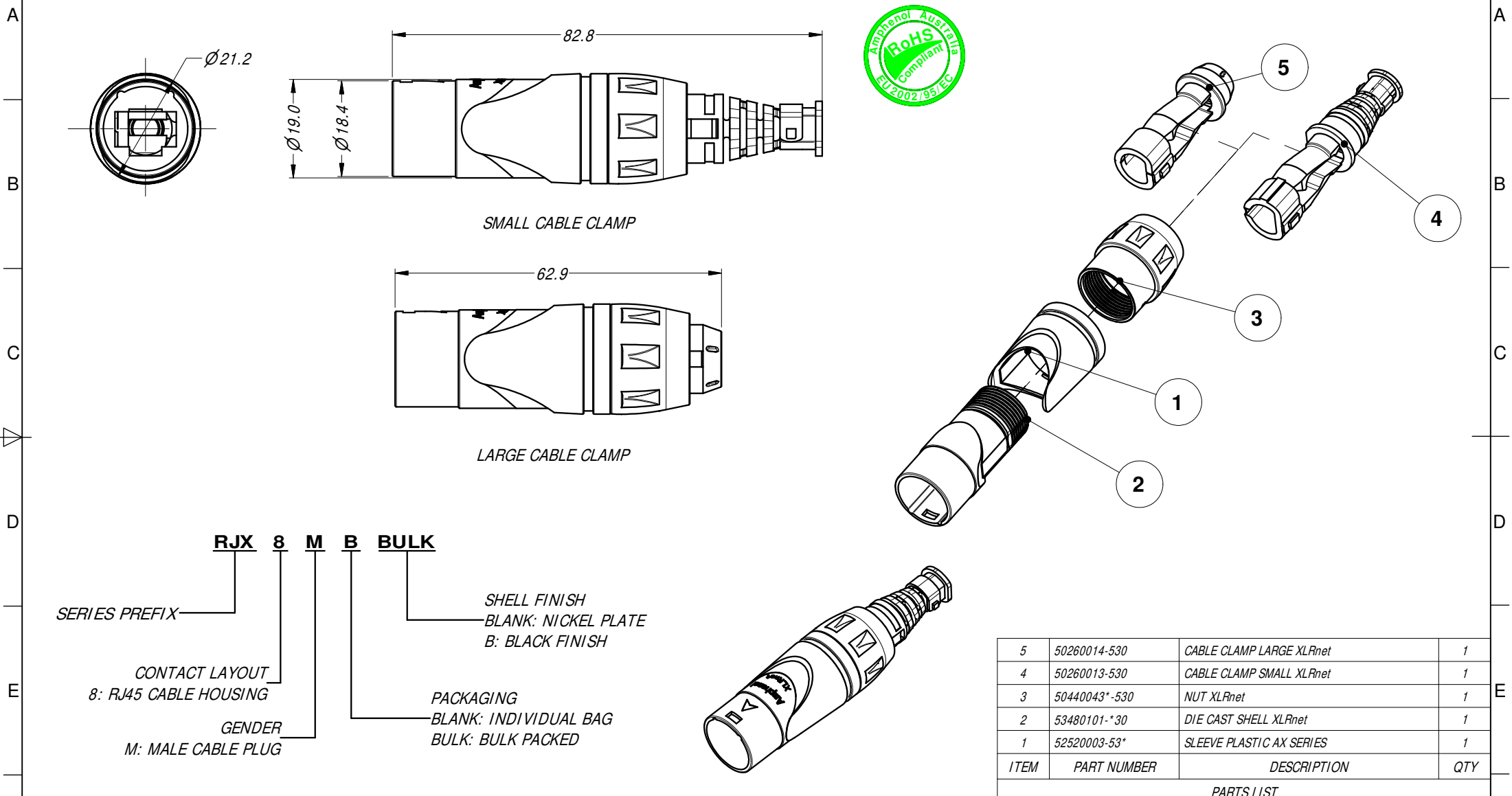
Contact us

Tel: +86-755-8981 8866 Fax: +86-755-8427 6832

Email & Skype: info@chipsmall.com Web: www.chipsmall.com

Address: A1208, Overseas Decoration Building, #122 Zhenhua RD., Futian, Shenzhen, China





SERIES PREFIX — **RJX** 8 **M** **B** **BULK**

CONTACT LAYOUT
8: RJ45 CABLE HOUSING

GENDER
M: MALE CABLE PLUG

SHELL FINISH
BLANK: NICKEL PLATE
B: BLACK FINISH

PACKAGING
BLANK: INDIVIDUAL BAG
BULK: BULK PACKED

ITEM	PART NUMBER	DESCRIPTION	QTY
5	50260014-530	CABLE CLAMP LARGE XLRnet	1
4	50260013-530	CABLE CLAMP SMALL XLRnet	1
3	50440043*-530	NUT XLRnet	1
2	53480101-*30	DIE CAST SHELL XLRnet	1
1	52520003-53*	SLEEVE PLASTIC AX SERIES	1

PARTS LIST

NOTES:
1. BOTH CABLE CLAMPS LARGE & SMALL ARE PACKED IN THE SAME BAG OF CONNECTOR KIT

UNLESS OTHERWISE SPECIFIED TOLERANCE TO BE		THIS DOCUMENT IS THE PROPERTY OF AMPHENOL AUSTRALIA PTY. LTD. NO PART THEREOF MAY BE REPRODUCED AND USED WITHOUT THE PRIOR WRITTEN CONSENT OF THE OWNER.		Amphenol Australia Pty.Ltd, 2 Fiveways Blvd, Keysborough, VIC 3173	
LINER	ANGULAR	MATERIAL:	DRN:		
X ± 0.5	X' ± 1	SEE COMPONENTS	CKD:	P.M	DATE: 09/08/12
X.X ± 0.1	X.X' ± 30'		APP'D:	P.M	DATE: 09/08/12
X.XX ± 0.05	X.XX' ± 15'	FINISH: SEE COMPONENTS	SCALE:	1:1	SIZE: A4
BREAK ALL SHARP EDGES AND REMOVE ALL BURRS		DIMENSIONS IN MILLIMETRES		THIRD ANGLE PROJECTION	
DO NOT SCALE				TITLE: XLRnet PLUG CABLE CONNECTOR	
				PART No: RJX8M*	
				REV: 1	
				DRAWING No. 55010849-000-1	
				SHEET: 1/1	