



Chipsmall Limited consists of a professional team with an average of over 10 year of expertise in the distribution of electronic components. Based in Hongkong, we have already established firm and mutual-benefit business relationships with customers from,Europe,America and south Asia,supplying obsolete and hard-to-find components to meet their specific needs.

With the principle of "Quality Parts,Customers Priority,Honest Operation,and Considerate Service",our business mainly focus on the distribution of electronic components. Line cards we deal with include Microchip,ALPS,ROHM,Xilinx,Pulse,ON,Everlight and Freescale. Main products comprise IC,Modules,Potentiometer,IC Socket,Relay,Connector.Our parts cover such applications as commercial,industrial, and automotives areas.

We are looking forward to setting up business relationship with you and hope to provide you with the best service and solution. Let us make a better world for our industry!



Contact us

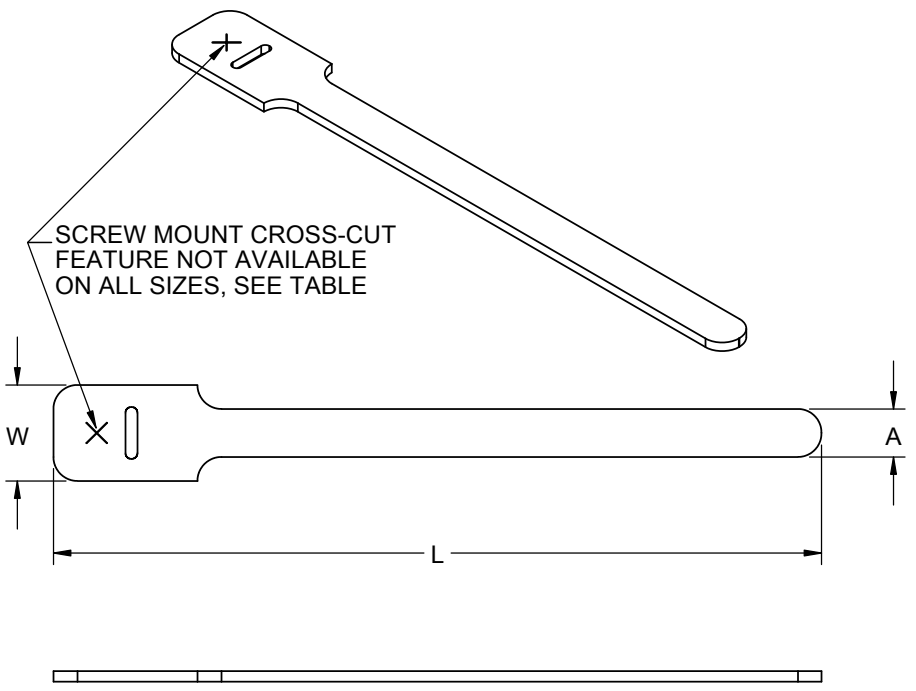
Tel: +86-755-8981 8866 Fax: +86-755-8427 6832

Email & Skype: info@chipsmall.com Web: www.chipsmall.com

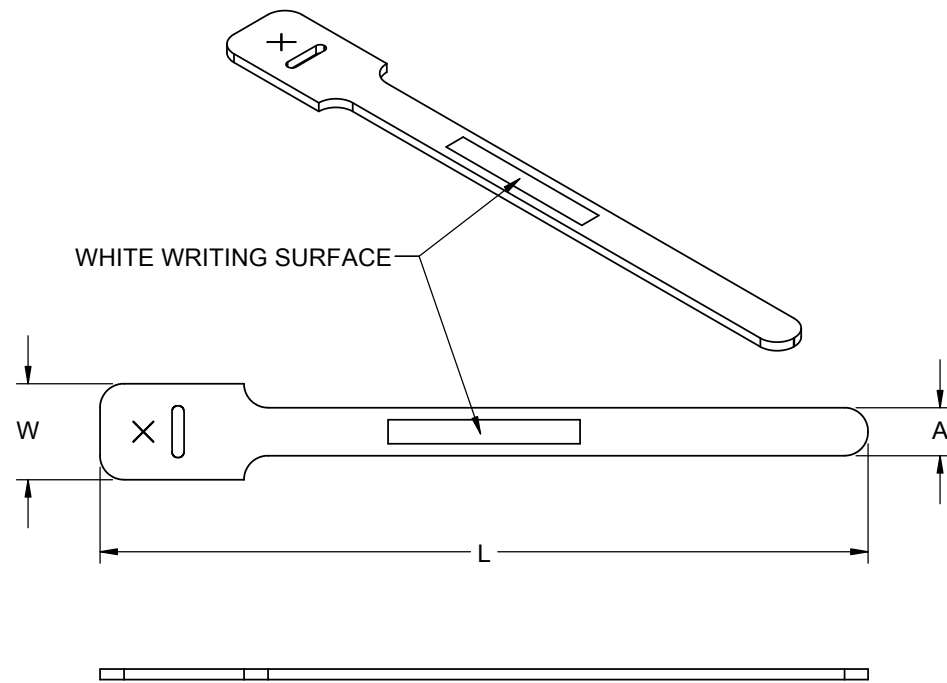
Address: A1208, Overseas Decoration Building, #122 Zhenhua RD., Futian, Shenzhen, China



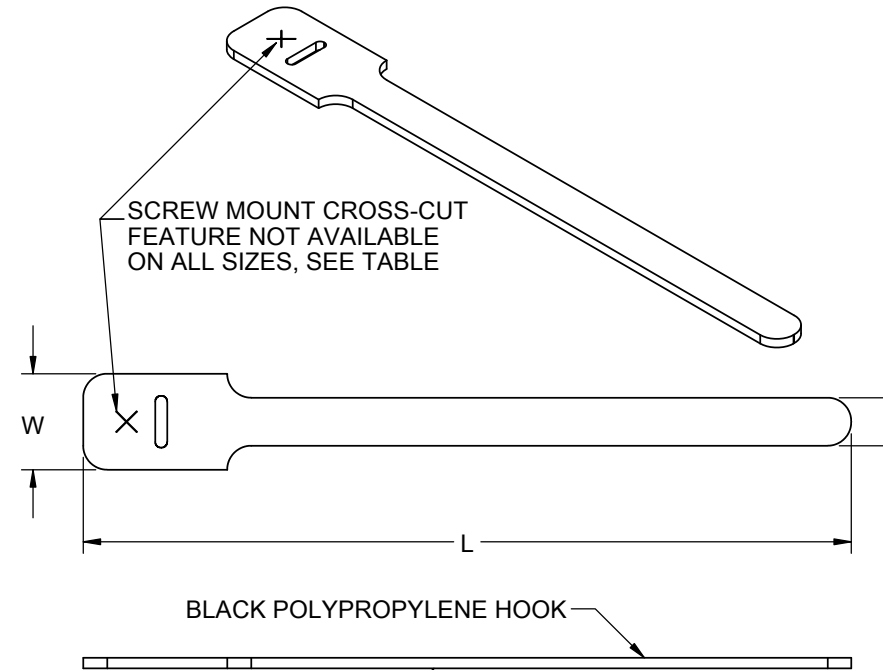
VELCRO® BRAND HOOK & LOOP MATERIAL									SCREW MOUNT FEATURE	L ±.5[12.7]	W ±.13[3.2]	A ±.13[3.2]
LOW DENSITY POLYETHYLENE HOOK & NYLON KNIT LOOP								UL94 V-2 PP HOOK & NYLON KNIT LOOP				
BLACK	BLUE	GREEN	GREY	ORANGE	RED	WHITE	YELLOW	BLACK/MAROON				
RKW-6-6-BK	RKW-6-6-BL	RKW-6-6-GN	RKW-6-6-GY	RKW-6-6-OR	RKW-6-6-RD	RKW-6-6-W	RKW-6-6-YL	-	NO	6.0 [152]	0.75 [19.1]	0.38 [9.5]
RKW-8-6-BK	RKW-8-6-BL	RKW-8-6-GN	RKW-8-6-GY	RKW-8-6-OR	RKW-8-6-RD	RKW-8-6-W	RKW-8-6-YL	RKWPR-8-6	NO			
RKW-8-8-BK	RKW-8-8-BL	RKW-8-8-GN	RKW-8-8-GY	RKW-8-8-OR	RKW-8-8-RD	RKW-8-8-W	RKW-8-8-YL	RKWPR-8-8	YES	8.0 [203]	1 [25.4]	0.5 [12.7]
RKWID-8-8-BK	-	-	-	-	-	-	-	-	YES			
RKW-8-9-BK	RKW-8-9-BL	RKW-8-9-GN	RKW-8-9-GY	RKW-8-9-OR	RKW-8-9-RD	RKW-8-9-W	RKW-8-9-YL	RKWPR-8-9	YES	9.0 [229]	1 [25.4]	0.5 [12.7]
RKW-8-11-BK	RKW-8-11-BL	RKW-8-11-GN	RKW-8-11-GY	RKW-8-11-OR	RKW-8-11-RD	RKW-8-11-W	RKW-8-11-YL	RKWPR-8-11	NO	11.0 [279]		
RKW-8-12-BK	RKW-8-12-BL	RKW-8-12-GN	RKW-8-12-GY	RKW-8-12-OR	RKW-8-12-RD	RKW-8-12-W	RKW-8-12-YL	RKWPR-8-12	YES	12.0 [305]	1.5 [38.1]	0.75 [19.1]
RKW-8-13-BK	RKW-8-13-BL	RKW-8-13-GN	RKW-8-13-GY	RKW-8-13-OR	RKW-8-13-RD	RKW-8-13-W	RKW-8-13-YL	RKWPR-8-13	YES	13.0 [330]		
RKW-12-9-BK	RKW-12-9-BL	RKW-12-9-GN	RKW-12-9-GY	RKW-12-9-OR	RKW-12-9-RD	RKW-12-9-W	RKW-12-9-YL	RKWPR-12-9	YES	9.0 [229]	1.5 [38.1]	0.75 [19.1]
RKW-12-13-BK	RKW-12-13-BL	RKW-12-13-GN	RKW-12-13-GY	RKW-12-13-OR	RKW-12-13-RD	RKW-12-13-W	RKW-12-13-YL	RKWPR-12-13	YES	13.0 [330]		
RKW-12-15-BK	RKW-12-15-BL	RKW-12-15-GN	RKW-12-15-GY	RKW-12-15-OR	RKW-12-15-RD	RKW-12-15-W	RKW-12-15-YL	-	NO	15.0 [381]		
RKW-12-18-BK	RKW-12-18-BL	RKW-12-18-GN	RKW-12-18-GY	RKW-12-18-OR	RKW-12-18-RD	RKW-12-18-W	RKW-12-18-YL	-	NO	18.0 [457]		
RKW-12-24-BK	RKW-12-24-BL	RKW-12-24-GN	RKW-12-24-GY	RKW-12-24-OR	RKW-12-24-RD	RKW-12-24-W	RKW-12-24-YL	-	NO	24.0 [610]		



RKW



RKWID



RKWPR

REV.	DESCRIPTION	ENGR.	DATE
H	COMBINING EXPANDED RKW, RKWID & NEW RKWPR	D.Z.	03.13.2013
G	SEE CO # 200601 FOR CHANGES	D.Z.	11.30.2010
F	SEE ECN # 1263 FOR CHANGES	D.Z.	12.12.2006
E	SE ECN # 538 FOR CHANGES	D.Z.	12.10.2002
D	REMOVED RKS-8-12 TO SEPARATE PRINT	D.Z.	02.26.2002
C	METRIC CONVERSION CORRECTED	D.Z.	12.12.2001
B	CHANGED FILE NUMBER	D.Z.	12.06.2001
A	CHANGED TABLE; ADDED 2 BASE PARTS & DIM "W"	S.M.	02.23.2001

TITLE: HOOK & LOOP CABLE TIES				
CREATED USING SOLIDWORKS TOLERANCES UNLESS NOTED .XX=±.020 .XXX=±.015 FRAC.=±1/32 ANG.=±3°	FILE #: RKW SHEET: 1 OF 1 SHEET SIZE: B RE: RICHCO INC.	DWN: D.Z. DT: MAR/13/2013 APP: D.Z. CHKD: -	UNITS: IN [mm] FINAL	PART # SEE TABLE PRINT TYPE CA
RICHCO, INC. WWW.RICHCO-INC.COM				