



Chipsmall Limited consists of a professional team with an average of over 10 year of expertise in the distribution of electronic components. Based in Hongkong, we have already established firm and mutual-benefit business relationships with customers from,Europe,America and south Asia,supplying obsolete and hard-to-find components to meet their specific needs.

With the principle of "Quality Parts,Customers Priority,Honest Operation,and Considerate Service",our business mainly focus on the distribution of electronic components. Line cards we deal with include Microchip,ALPS,ROHM,Xilinx,Pulse,ON,Everlight and Freescale. Main products comprise IC,Modules,Potentiometer,IC Socket,Relay,Connector.Our parts cover such applications as commercial,industrial, and automotives areas.

We are looking forward to setting up business relationship with you and hope to provide you with the best service and solution. Let us make a better world for our industry!



Contact us

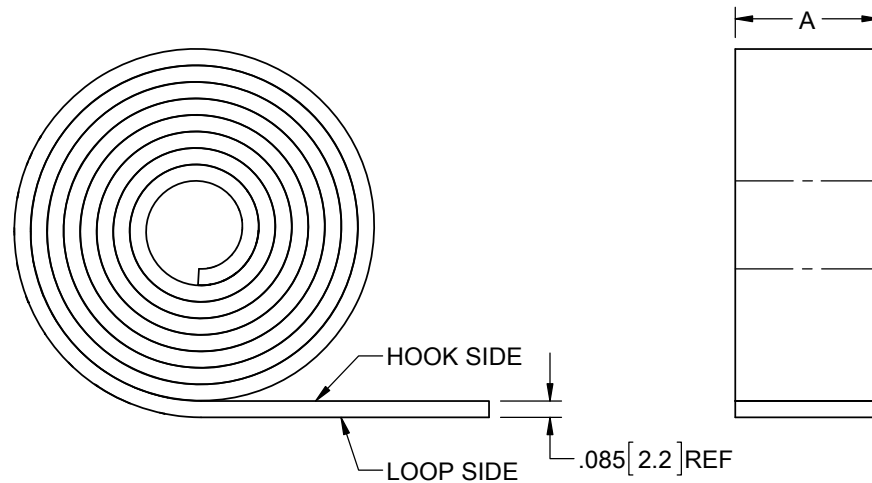
Tel: +86-755-8981 8866 Fax: +86-755-8427 6832

Email & Skype: info@chipsmall.com Web: www.chipsmall.com

Address: A1208, Overseas Decoration Building, #122 Zhenhua RD., Futian, Shenzhen, China



VELCRO® BRAND HOOK & LOOP MATERIAL									ROLL LENGTH REF	"A"
LOW DENSITY POLYETHYLENE HOOK & NYLON KNIT LOOP								UL94 V-2 PP HOOK & NYLON KNIT LOOP		
BLACK	BLUE	GREEN	GREY	ORANGE	RED	WHITE	YELLOW	BLACK/MAROON		
RKWR-3-BK	RKWR-3-BL	RKWR-3-GN	RKWR-3-GY	RKWR-3-OR	RKWR-3-RD	RKWR-3-W	RKWR-3-YL	RKWRPR-3	5 Yards [4.57m]	.50 [12.7]
RKWR-1-BK	RKWR-1-BL	RKWR-1-GN	RKWR-1-GY	RKWR-1-OR	RKWR-1-RD	RKWR-1-W	RKWR-1-YL	RKWRPR-1		.75 [19.1]
RKWR-2-BK	RKWR-2-BL	RKWR-2-GN	RKWR-2-GY	RKWR-2-OR	RKWR-2-RD	RKWR-2-W	RKWR-2-YL	RKWRPR-2		1.0 [25.4]
RKWR-3L-BK	RKWR-3L-BL	RKWR-3L-GN	RKWR-3L-GY	RKWR-3L-OR	RKWR-3L-RD	RKWR-3L-W	RKWR-3L-YL	RKWRPR-3L	25 Yards [22.9m]	.50 [12.7]
RKWR-1L-BK	RKWR-1L-BL	RKWR-1L-GN	RKWR-1L-GY	RKWR-1L-OR	RKWR-1L-RD	RKWR-1L-W	RKWR-1L-YL	RKWRPR-1L		.75 [19.1]
RKWR-2L-BK	RKWR-2L-BL	RKWR-2L-GN	RKWR-2L-GY	RKWR-2L-OR	RKWR-2L-RD	RKWR-2L-W	RKWR-2L-YL	RKWRPR-2L		1.0 [25.4]



REV.			TITLE: HOOK & LOOP ROLL				UNITS: INCH[mm]		FINAL	
D	ADDED 25 YRD LENGTH & .5" WIDTH, ECN#1375	D.Z. 04.09.2013	CREATED USING SOLIDWORKS	FILE #: RKWR	DWN: D.Z.	APP: D.Z.				
C	SEE CO 200601 FOR CHANGES	S.K. 11.30.2010	TOLERANCES UNLESS NOTED	SHEET: 1 OF 1	SHEET SIZE: A	DT: 04.10.2013	CHKD: -	PART #	PRINT TYPE	
B	SEE ECN # 1263 FOR CHANGES	S.K. 12.12.2006	.XX=±.010	RE: RICHCO INC		RICHCO, INC.		SEE TABLE	CA	
A	CHANGED FILE NO.	S.M. 06.27.2001	.XXX=±.005	--		WWW.RICHCO-INC.COM				
REV.	DESCRIPTION	ENGR. DATE	FRAC.=±1/64							
			ANG.=±1°							