



Chipsmall Limited consists of a professional team with an average of over 10 year of expertise in the distribution of electronic components. Based in Hongkong, we have already established firm and mutual-benefit business relationships with customers from,Europe,America and south Asia,supplying obsolete and hard-to-find components to meet their specific needs.

With the principle of “Quality Parts,Customers Priority,Honest Operation,and Considerate Service”,our business mainly focus on the distribution of electronic components. Line cards we deal with include Microchip,ALPS,ROHM,Xilinx,Pulse,ON,Everlight and Freescale. Main products comprise IC,Modules,Potentiometer,IC Socket,Relay,Connector.Our parts cover such applications as commercial,industrial, and automotives areas.

We are looking forward to setting up business relationship with you and hope to provide you with the best service and solution. Let us make a better world for our industry!



Contact us

Tel: +86-755-8981 8866 Fax: +86-755-8427 6832

Email & Skype: info@chipsmall.com Web: www.chipsmall.com

Address: A1208, Overseas Decoration Building, #122 Zhenhua RD., Futian, Shenzhen, China



PART
NAME

STEM LEVELER

PART
No.

RL-7766, RL-7767, RL-7771

REV.
DATE

10-29-08

LOAD RATING:

ALL LEVELERS _____ 200 LBS.

MATERIAL:

STEMS & CAPS, HEX NUTS _____ STEEL

PADS _____ AS NOTED

FINISH:

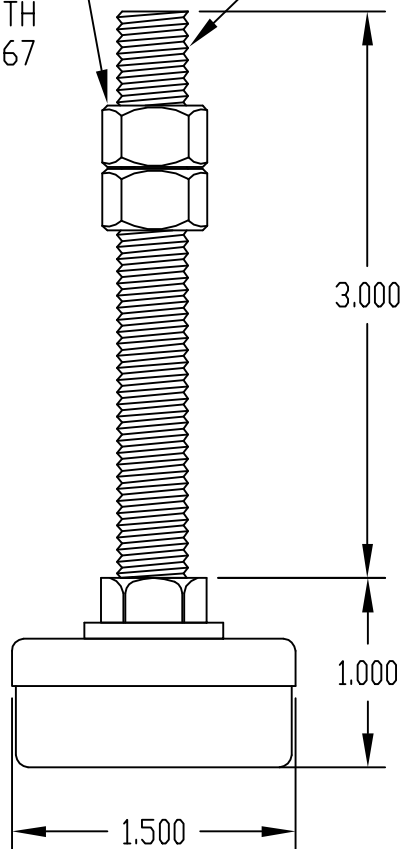
STEMS & CAPS _____ ZINC PLATE WITH
CLEAR CHROMATE

HEX NUTS _____ ZINC PLATE

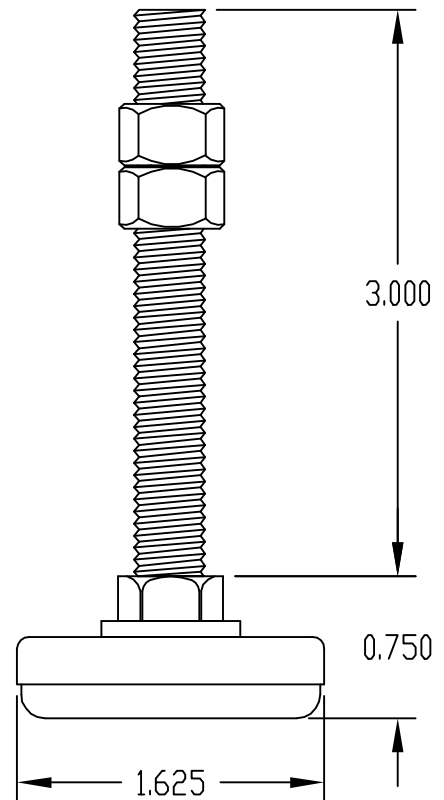
PADS _____ AS NOTED

QTY. (2) HEX NUTS
SUPPLIED WITH
RL-7766 & RL-7767

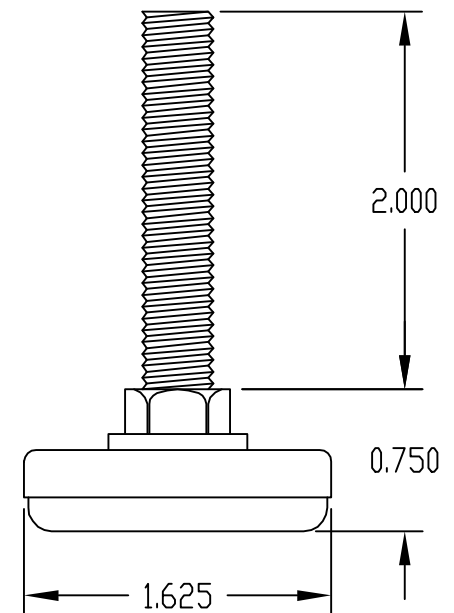
3/8-16 THREAD
TYP. ALL STEMS



RL-7766
GREY RUBBER PAD



RL-7767
WHITE NYLON PAD



RL-7771
WHITE NYLON PAD
HEX NUTS NOT SUPPLIED