



Chipsmall Limited consists of a professional team with an average of over 10 year of expertise in the distribution of electronic components. Based in Hongkong, we have already established firm and mutual-benefit business relationships with customers from,Europe,America and south Asia,supplying obsolete and hard-to-find components to meet their specific needs.

With the principle of “Quality Parts,Customers Priority,Honest Operation,and Considerate Service”,our business mainly focus on the distribution of electronic components. Line cards we deal with include Microchip,ALPS,ROHM,Xilinx,Pulse,ON,Everlight and Freescale. Main products comprise IC,Modules,Potentiometer,IC Socket,Relay,Connector.Our parts cover such applications as commercial,industrial, and automotives areas.

We are looking forward to setting up business relationship with you and hope to provide you with the best service and solution. Let us make a better world for our industry!



Contact us

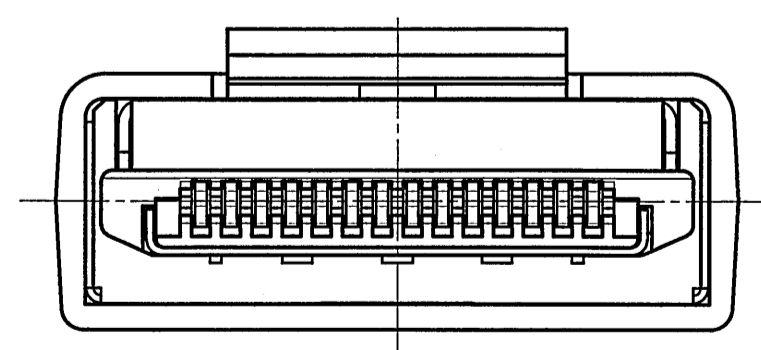
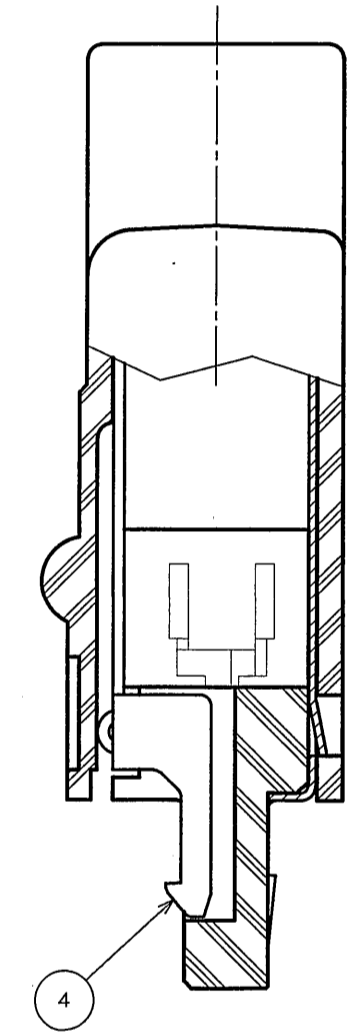
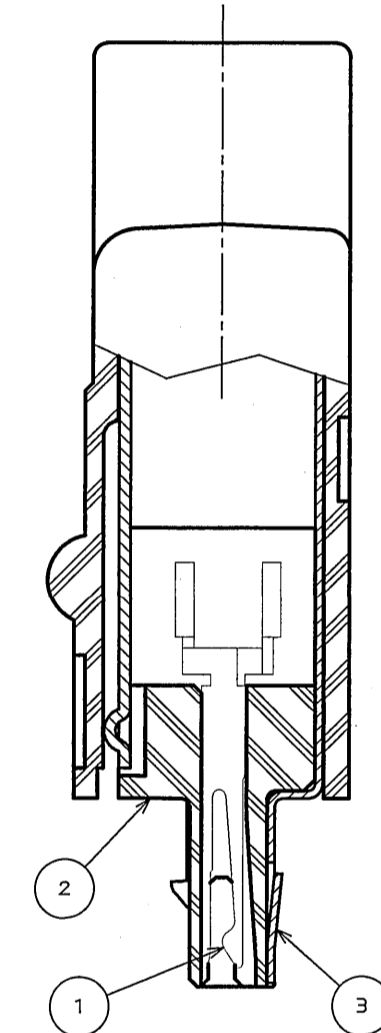
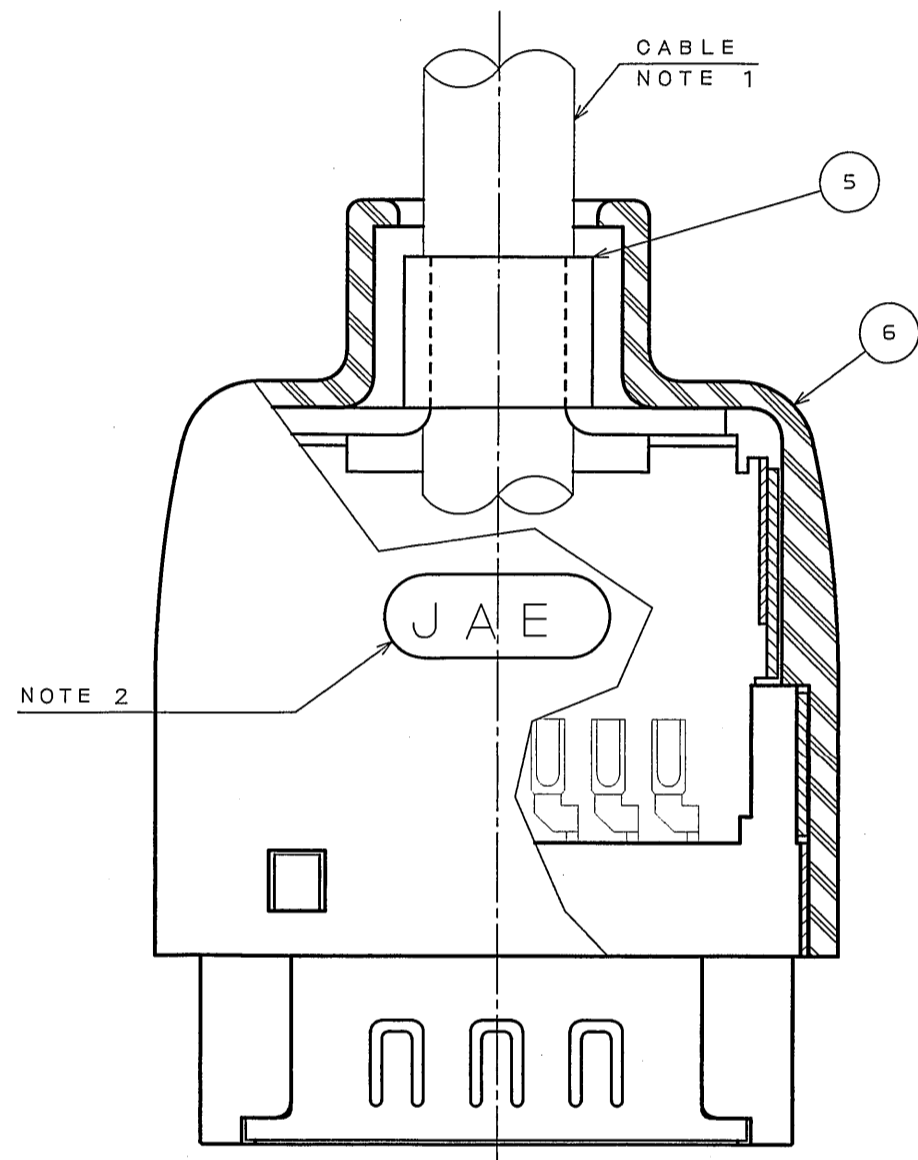
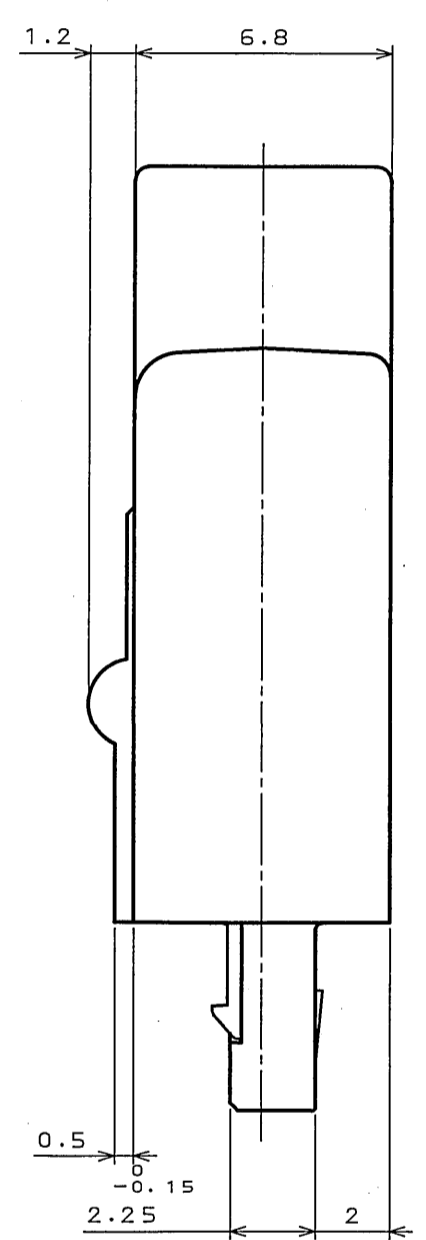
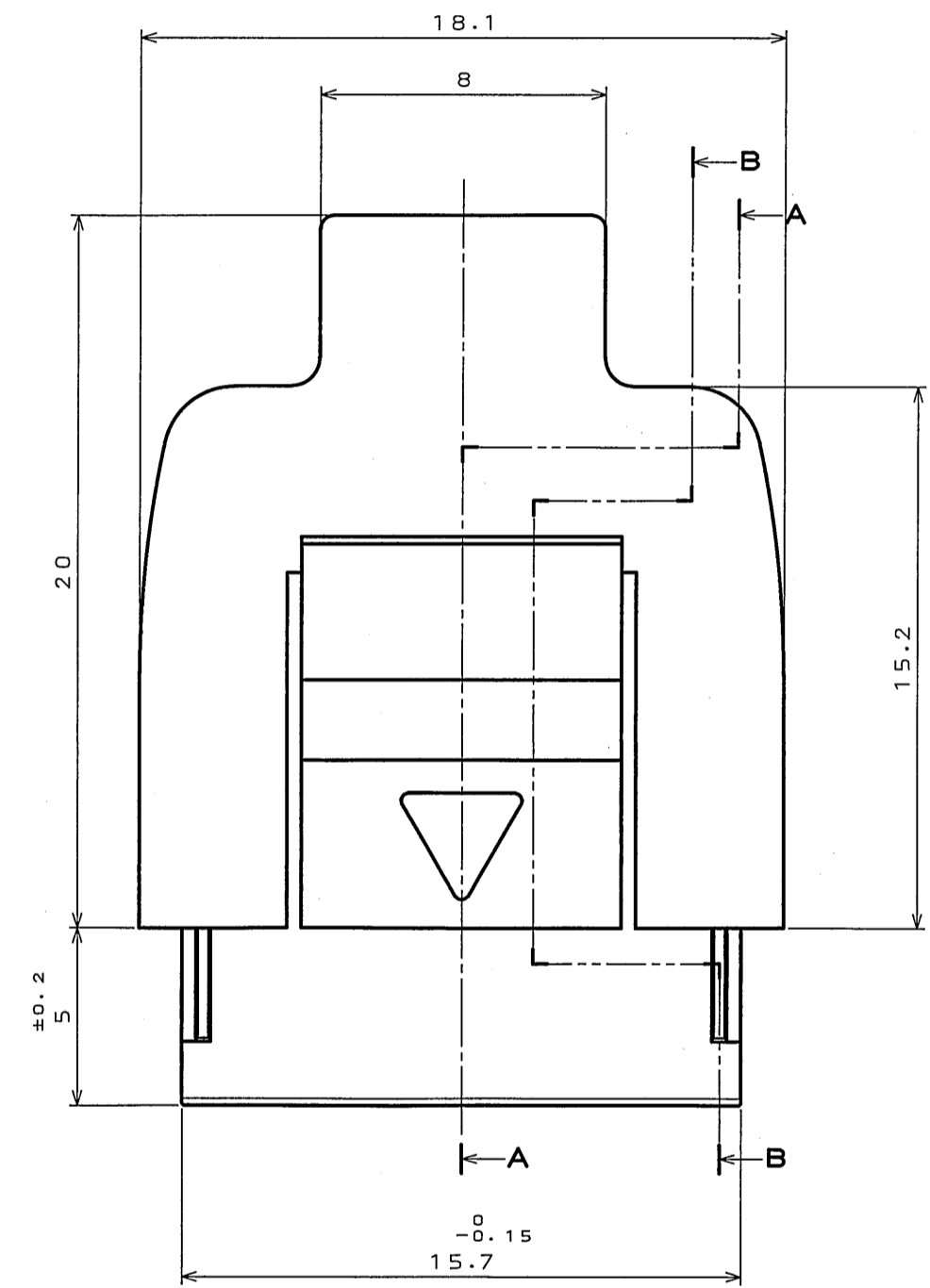
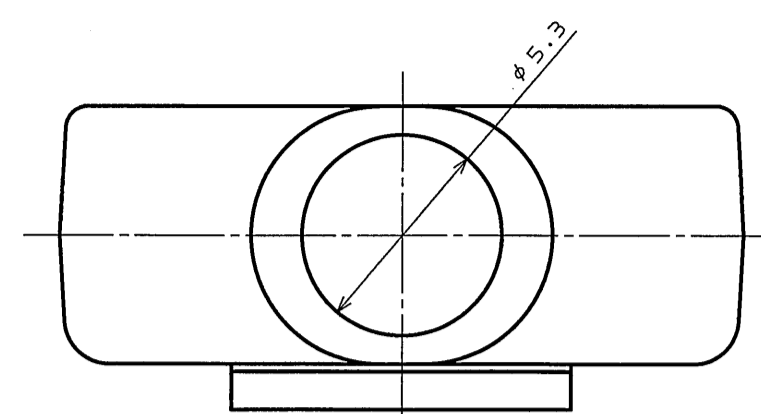
Tel: +86-755-8981 8866 Fax: +86-755-8427 6832

Email & Skype: info@chipsmall.com Web: www.chipsmall.com

Address: A1208, Overseas Decoration Building, #122 Zhenhua RD., Futian, Shenzhen, China



版数 REV.	年月日 DATE	CON NO.	変更内容 DESCRIPTION	製図 DR.	担当 CHK.	査閲 APPD.	承認 APPD.



NOTE 1. AN OUTER DIAMETER OF THE APPLICABLE CABLE IS SHOWN BELOW:

PART NUMBER	OUTER DIAMETER OF THE APPLICABLE CABLE
RL01-P14S-C4E	φ4±0.2
RL01-P14S-C5E	φ5±0.2

- COMPANY LOGO "JAE" IS MARKED AS INDICATED.
- THE CONNECTING AREA IS PLATED WITH GOLD OVER Pd-NI OVER NICKEL. THE TERMINAL AREA IS PLATED WITH Au FLASH.
- THE INSULATOR ASSEMBLED WITH CONTACT IS SUPPLIED. THE OTHER PARTS ARE ATTACHED.

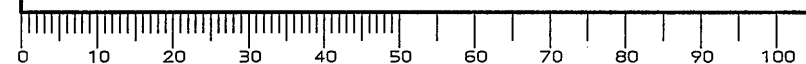
品名	適合ケーブル仕上り外径
RL01-P14S-C4E	φ4±0.2
RL01-P14S-C5E	φ5±0.2

- 品名により、適合ケーブル仕上り外径が異なる。
- 図示の位置に「社標」が表示される。
- 接触部は、ニッケル上パラジウムニッケル上金メッキ 結線部は、Auフラッシュメッキである。
- コンタクトは、インシュレータに組込まれた状態で納入される。その他の部品は、バラの状態での納入される。

NO.	DESCRIPTION	QTY.	MATERIAL	仕上り FINISH	備考 REMARKS
6	HOOD	1	PC	(BLACK)	UL94V-0
5	CLAMP BARREL	1	COPPER ALLOY	NICKEL PLATING	
4	BACK SHELL COVER	1	STAINLESS STEEL		
3	BACK SHELL BASE	1	STAINLESS STEEL		
2	INSULATOR	1	GLASS FILLED NY	(BLACK)	UL94V-0
1	CONTACT	14	COPPER ALLOY	NOTE 3	

仕様書(SPECIFICATION) JAOS-3157	第1版(ORIGINAL DATE) 15.Oct.2004	尺度(SCALE) 5:1	シリーズ(SERIES) RL	備考 REMARKS 日本航空電子工業株式会社 JAE ELECTRONICS INDUSTRY, LTD.
製図 DR.	Y.SAITOU	名称(TITLE) RL01-P14S-C※E	図面番号(DRAWING NO.) SJ101856	版数 (REV.) 1
公差(GENERAL TOLERANCE) 寸法(DIMENSION) 角度(ANGLES)	製図 DR. 担当 CHK. 査閲 APPD. 承認 APPD.	質量(MASS)	JAE CONNECTOR FROM Reference Only	

DOF-0-213E(03.08)



LEAD FREE この製品は鉛フリー品です