



Chipsmall Limited consists of a professional team with an average of over 10 year of expertise in the distribution of electronic components. Based in Hongkong, we have already established firm and mutual-benefit business relationships with customers from,Europe,America and south Asia,supplying obsolete and hard-to-find components to meet their specific needs.

With the principle of “Quality Parts,Customers Priority,Honest Operation,and Considerate Service”,our business mainly focus on the distribution of electronic components. Line cards we deal with include Microchip,ALPS,ROHM,Xilinx,Pulse,ON,Everlight and Freescale. Main products comprise IC,Modules,Potentiometer,IC Socket,Relay,Connector.Our parts cover such applications as commercial,industrial, and automotives areas.

We are looking forward to setting up business relationship with you and hope to provide you with the best service and solution. Let us make a better world for our industry!



Contact us

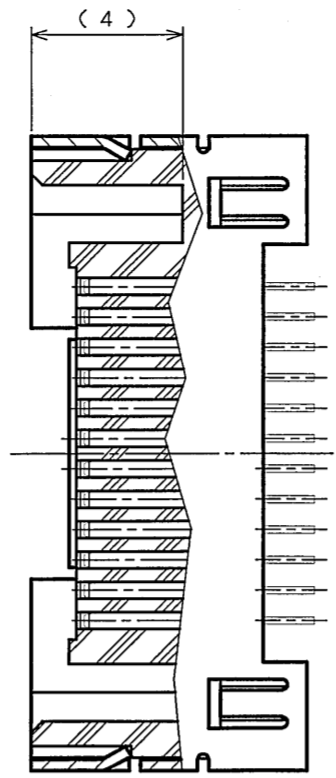
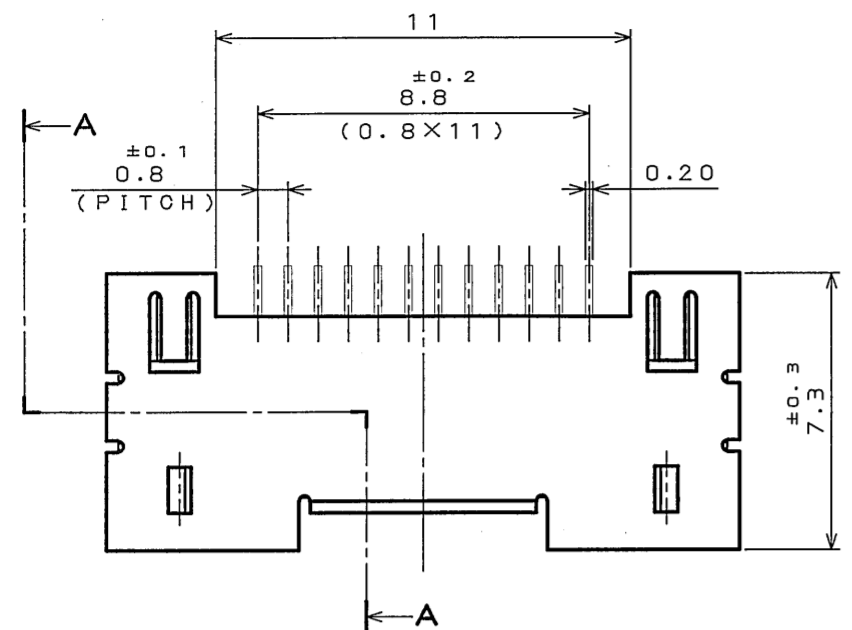
Tel: +86-755-8981 8866 Fax: +86-755-8427 6832

Email & Skype: info@chipsmall.com Web: www.chipsmall.com

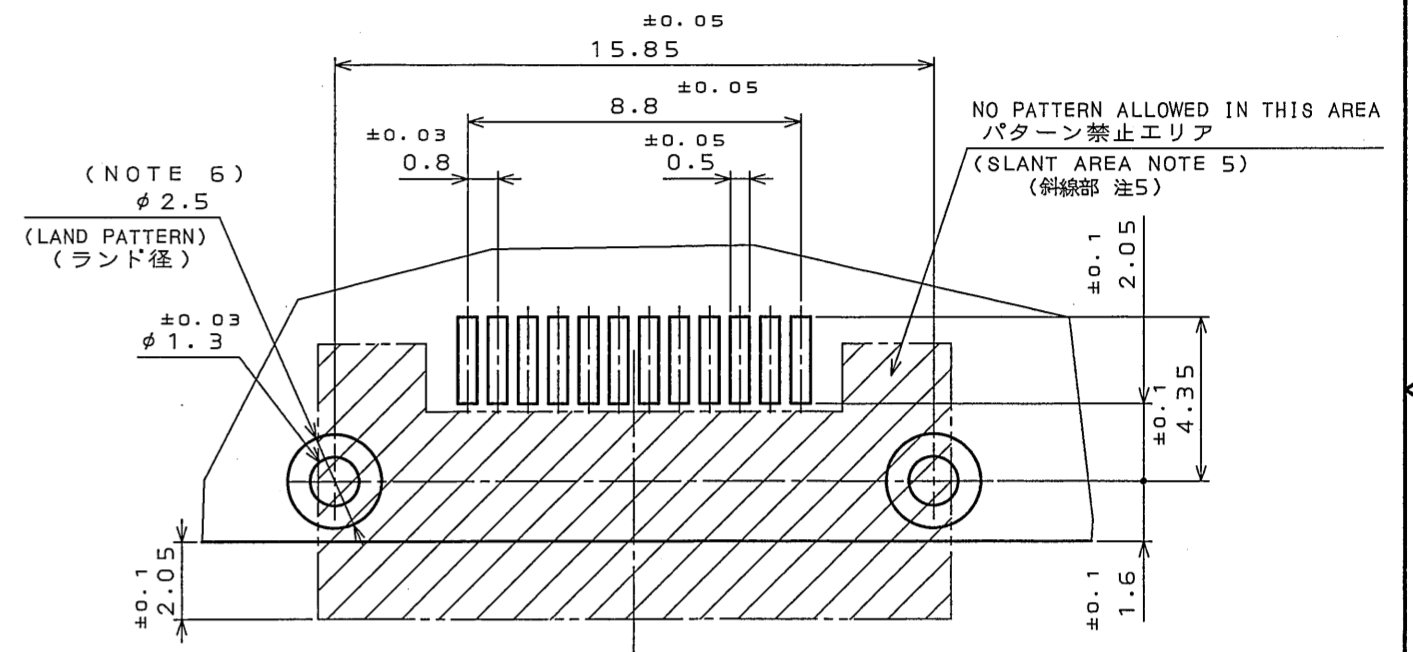
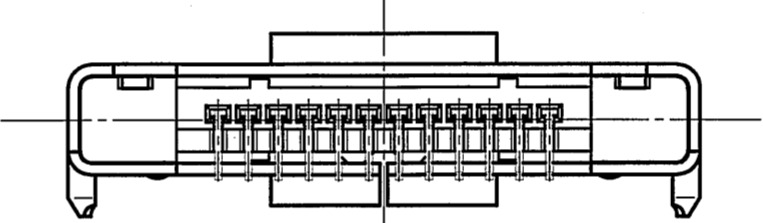
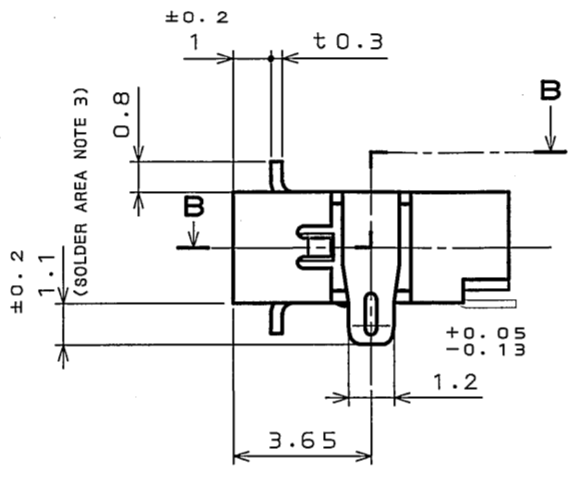
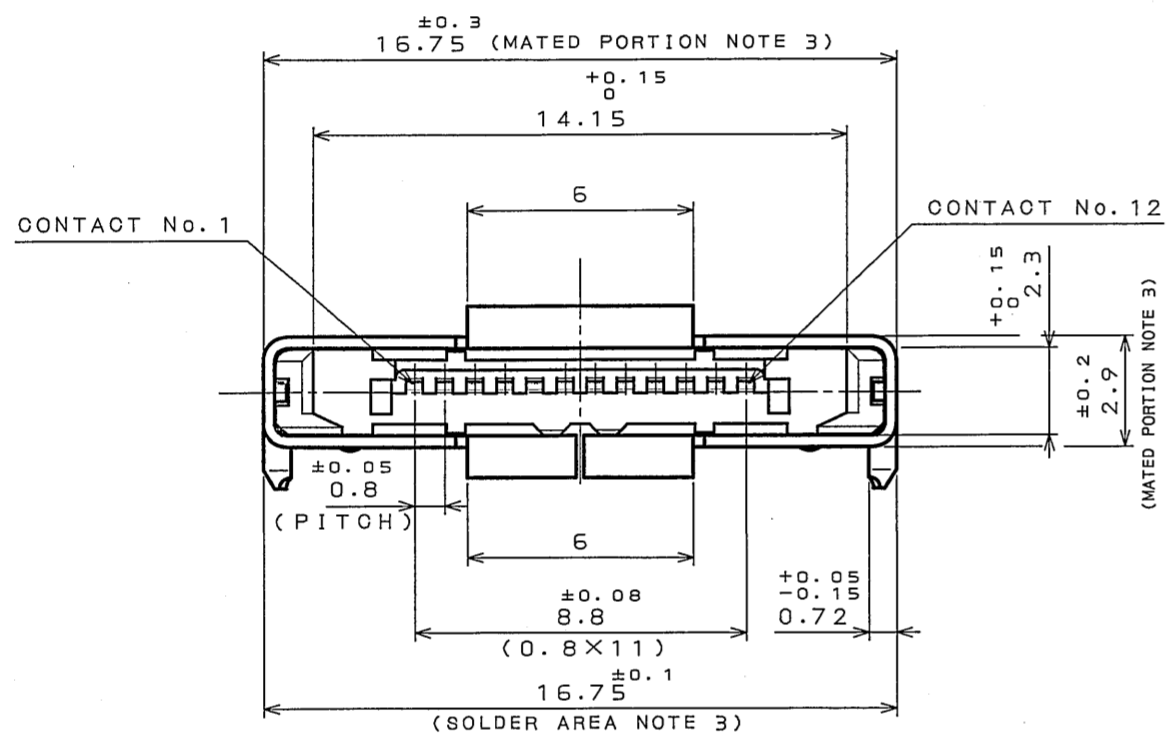
Address: A1208, Overseas Decoration Building, #122 Zhenhua RD., Futian, Shenzhen, China



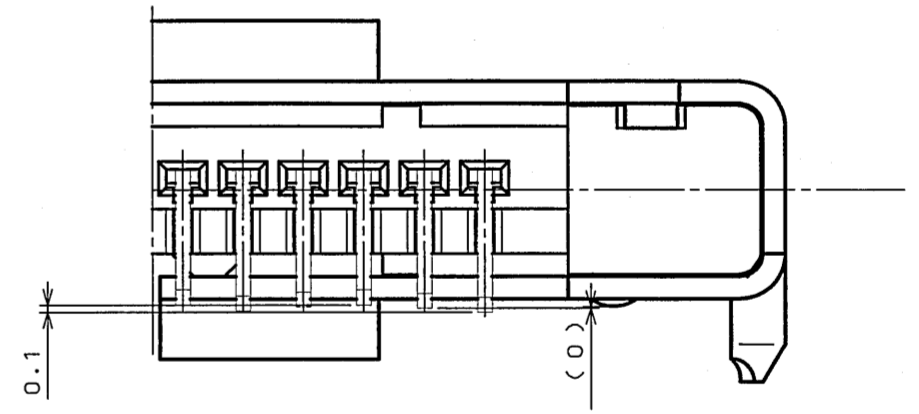
版数 REV.	年月日 DATE	DCN NO.	変更内容 DESCRIPTION	製図 DR.	担当 CHK.	査閲 APPD.	承認 APPD.



断面 B-B

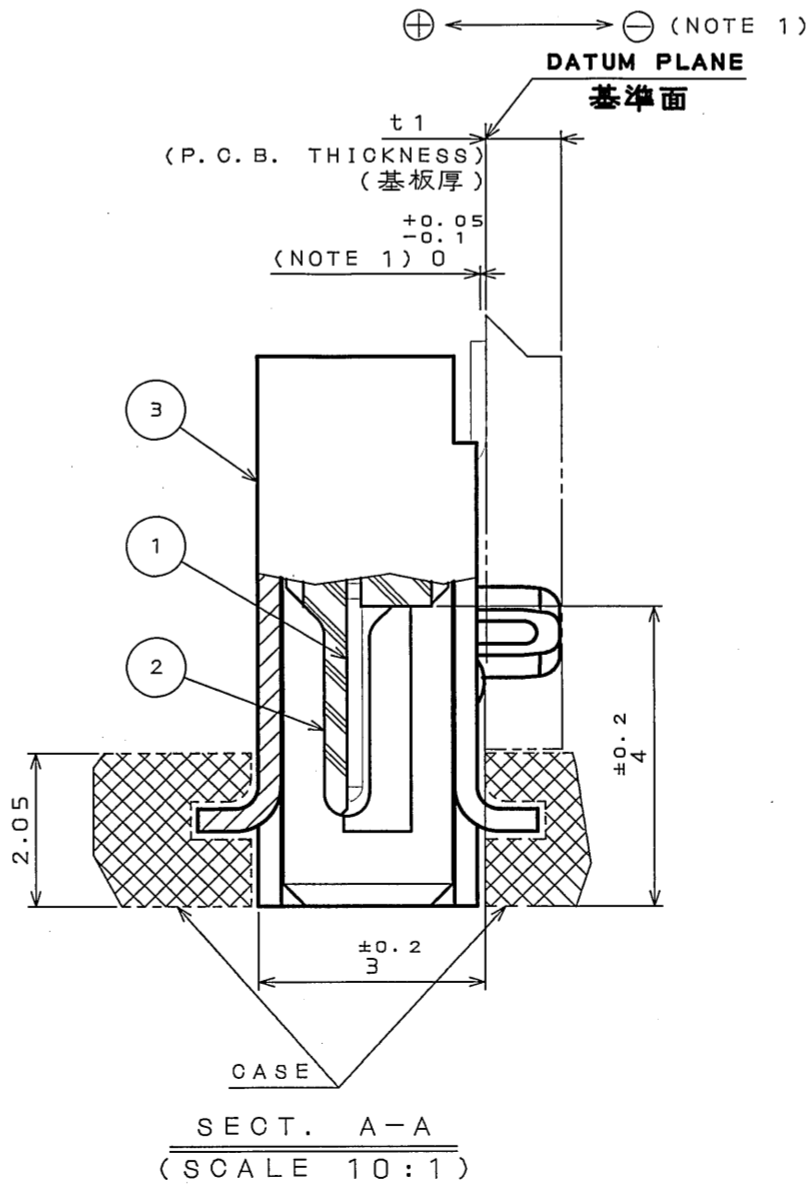


APPLICABLE P.C.B. DIMENSION (REF.)
適合基板寸法 (参考)



SMT TERMINAL DIMENSION
(NOTE 1)

- NOTE 1. ⊕ AND ⊖ DENOTE ARE DIRECTION OF SMT TOLERANCE. TERMINAL DIMENSION IS 0 ± 0.05 , AND DEVIATION (DIMENSION BETWEEN MINUS VALUE & PLUS VALUE) SHALL BE 0.1 MAX.
- THE CONNECTING AREA IS PLATED WITH GOLD OVER Pd-NI OVER NICKEL. THE TERMINAL AREA IS PLATED WITH Au FLASH.
 - THE DIMENSION OF 16.75 ± 0.3 IS AT THE MATING AREA (2.9 ± 0.2). THE DIMENSION OF 16.75 ± 0.1 IS AT THE SOLDER AREA (1.1 ± 0.2).
 - THE SHEARED EDGES OF CONNECTOR SHELL AT THE SOLDER AREA ARE NOT PLATING.
 - PLEASE NO PATTERNING IN SLANT AREA.
 - LAND MARK BOTH SIDES OF P.C.B. HOLE OF $\phi 1.3$ IS THROUGH HOLE PLATED.
- SMT公差部のプラス、マイナスの方向を示す。端子寸法は 0 ± 0.05 であり、公差内におけるバラツキ (1コネクタ内のMAX値とMIN値の差) は、0.1以下とする。
 - 接触部はニッケル上パラジウムニッケル上金メッキ、SMT部はAuフラッシュメッキである。
 - " 16.75 ± 0.3 " は嵌合部 (2.9 ± 0.2) における寸法である。又、" 16.75 ± 0.1 " は半田付部 (1.1 ± 0.2) における寸法である。
 - 本コネクタシェル半田付部 破断面には、メッキは施されません。
 - 本斜線部にはパターンを配線しないよう願います。
 - ランドは基板の両面に設けること。又、 $\phi 1.3$ の穴はスルーホールメッキであること。



SECT. A-A
(SCALE 10:1)

3	SHELL	1	STAINLESS STEEL	SOLDER AREA PLATED (NOTE 4) WITH TIN/TIN ALLOY (LEAD FREE)	
2	INSULATOR	1	PPS		UL94 V-0
1	CONTACT	12	COPPER ALLOY	NOTE 2	
符号 NO.	名称 DESCRIPTION	個数 QTY.	材料 MATERIAL	仕上 FINISH	備考 REMARKS
仕様書 (SPECIFICATION) JACS-3157	第1版 (ORIGINAL DATE) 15.Oct.2004	度 (SCALE) 5:1	シリーズ (SERIES) RL		日本航空電子工業株式会社
一般公差 (GENERAL TOLERANCE)	製図 DR.	担当 CHK.	名称 (TITLE) RLO1-R12PE		JAE ELECTRONICS INDUSTRY, LTD.
寸法 (DIMENSION)	角度 (ANGLES)	査閲 APPD.			図面番号 (DRAWING NO.) SJ101858
. ±0.8	X° ±	承認 APPD.			版数 (REV.) 1
.X ±0.4	X°X' ±				
.XX ±0.1					
.XXX ±					