



Chipsmall Limited consists of a professional team with an average of over 10 year of expertise in the distribution of electronic components. Based in Hongkong, we have already established firm and mutual-benefit business relationships with customers from,Europe,America and south Asia,supplying obsolete and hard-to-find components to meet their specific needs.

With the principle of “Quality Parts,Customers Priority,Honest Operation,and Considerate Service”,our business mainly focus on the distribution of electronic components. Line cards we deal with include Microchip,ALPS,ROHM,Xilinx,Pulse,ON,Everlight and Freescale. Main products comprise IC,Modules,Potentiometer,IC Socket,Relay,Connector.Our parts cover such applications as commercial,industrial, and automotives areas.

We are looking forward to setting up business relationship with you and hope to provide you with the best service and solution. Let us make a better world for our industry!



## Contact us

Tel: +86-755-8981 8866 Fax: +86-755-8427 6832

Email & Skype: info@chipsmall.com Web: www.chipsmall.com

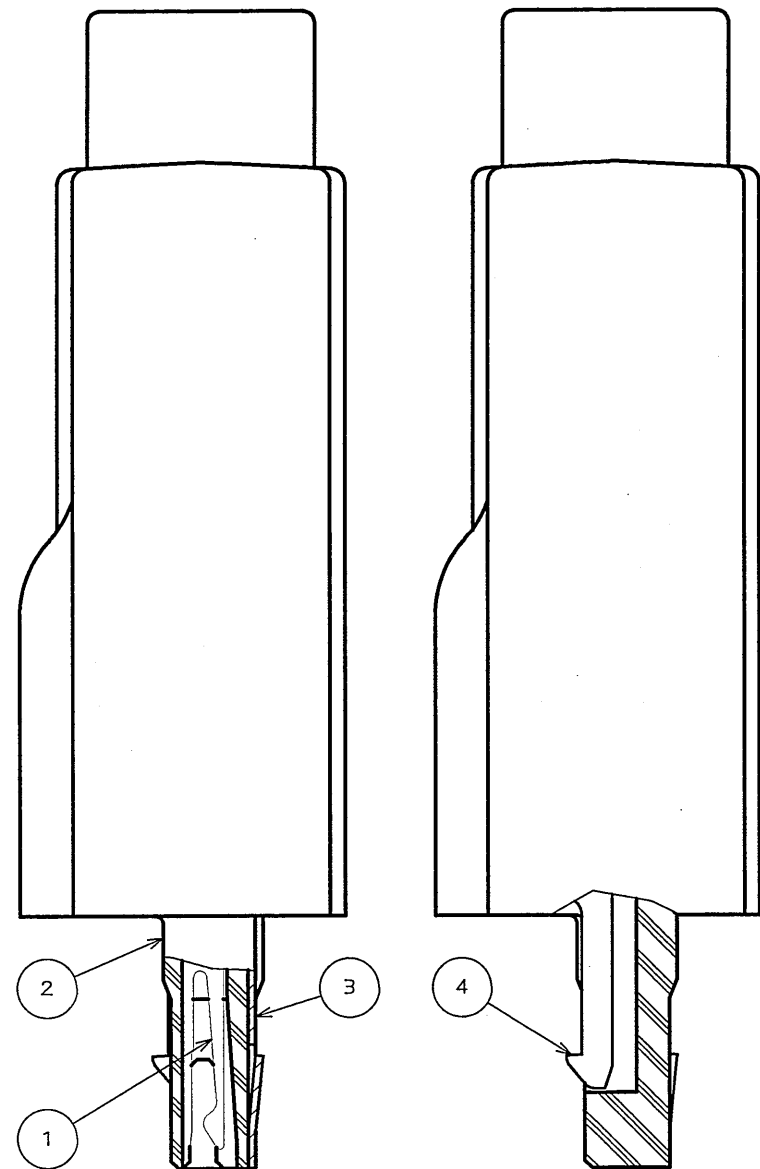
Address: A1208, Overseas Decoration Building, #122 Zhenhua RD., Futian, Shenzhen, China



898101PS

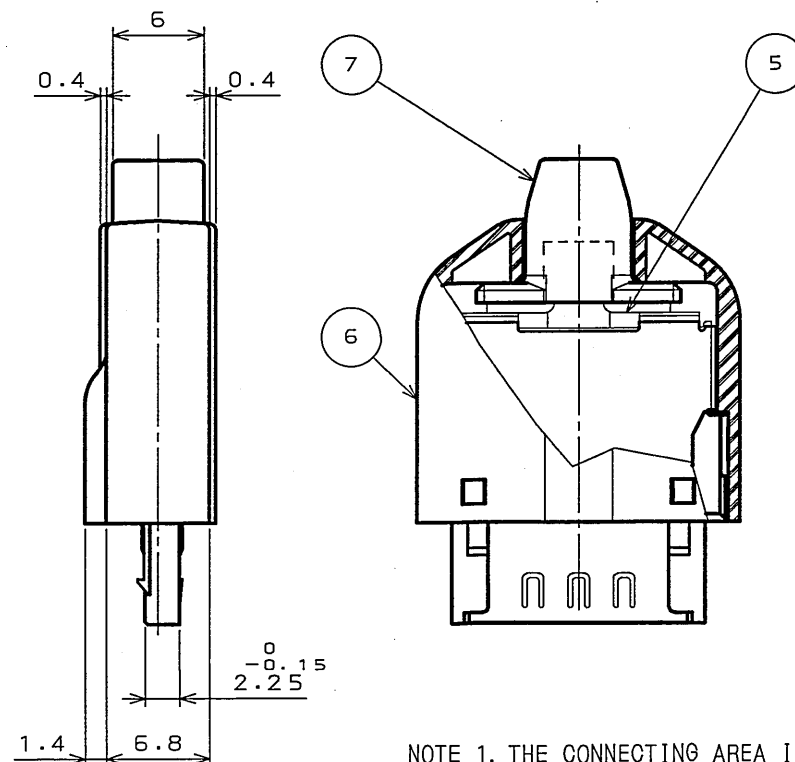
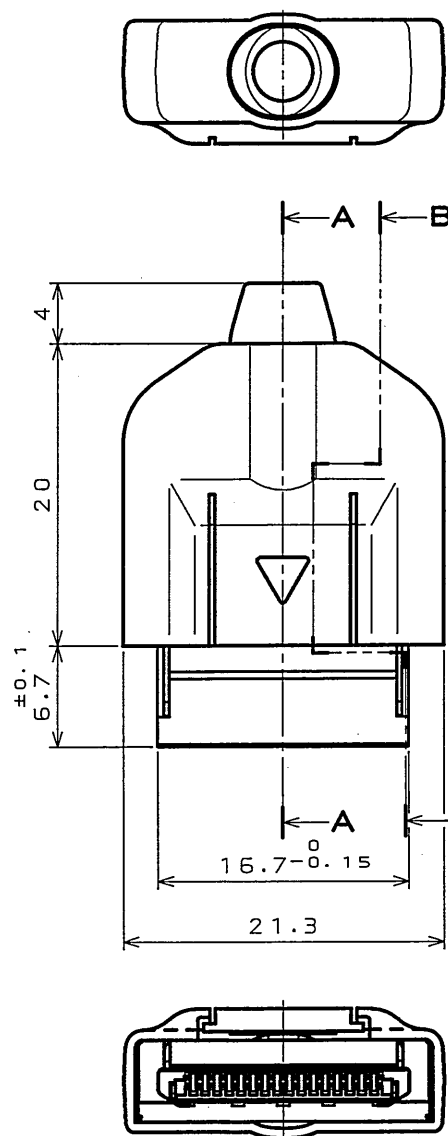
( 'ON 0NIMVHD ) 品番図

版数 REV.	年月日 DATE	DCN NO.	変更内容 DESCRIPTION	製図 DR.	担当 CHK.	査閲 APPD.	承認 APPD.



SECT. A-A  
(SCALE 5:1)

SECT. B-B  
(SCALE 5:1)



- NOTE 1. THE CONNECTING AREA IS PLATED WITH GOLD OVER PALLADIUM-NI OVER NICKEL. THE TERMINAL AREA IS Au FLASH.
- NOTE 2. THE CONTACTS ARE ASSEMBLED IN THE INSULATOR BEFORE SHIPMENT. OTHER PARTS ARE SUPPLIED WITH IN LOOSE.
- 注1. 接触部は、ニッケル上パラジウムニッケル上金メッキ  
結線部は、Auフラッシュメッキである。
- 注2. コンタクトは、インシュレータに組込まれた状態で納入される。  
その他の部品は、バラの状態て納入される。

符号 NO.	名称 DESCRIPTION	個数 QTY.	材料 MATERIAL	仕上 FINISH	備考 REMARKS
7	BUSHING	1	PVC	(LIGHT GRAY)	UL94V-0
6	HOOD	1	PC	(LIGHT GRAY)	UL94V-0
5	CLAMP BARREL	1	COPPER ALLOY	NICKEL PLATING	
4	BACK SHELL COVER	1	STAINLESS STEEL		
3	BACK SHELL BASE	1	STAINLESS STEEL		
2	INSULATOR	1	GLASS FILLED NYLON	(BLACK)	UL94V-0
1	CONTACT	16	COPPER ALLOY	NOTE1	

仕様書 (SPECIFICATION) JACS-3163	第1版 (ORIGINAL DATE) 15.Oct.2004	尺度 (SCALE) 2:1	シリーズ (SERIES) RL	日本航空電子工業株式会社 JAPAN AVIATION ELECTRONICS INDUSTRY, LTD.
公差 (GENERAL TOLERANCE) 寸法 (DIMENSION) 角度 (ANGLES)	製図 DR.	名称 (TITLE) RL01S -P16S-C360E	図面番号 (DRAWING NO.) SJ101868	
. ±0.5 X° ± .X ±0.5 X°X'± .XX ± .XXX ±	担当 CHK. Y.SAITOU 査閲 APPD. 承認 APPD. <i>J. Kubota</i>	質量 (MASS)		版数 (REV.) 1

LEAD FREE この製品は鉛フリー品です

DOF-0-212E (03.08)

