



Chipsmall Limited consists of a professional team with an average of over 10 year of expertise in the distribution of electronic components. Based in Hongkong, we have already established firm and mutual-benefit business relationships with customers from,Europe,America and south Asia,supplying obsolete and hard-to-find components to meet their specific needs.

With the principle of “Quality Parts,Customers Priority,Honest Operation,and Considerate Service”,our business mainly focus on the distribution of electronic components. Line cards we deal with include Microchip,ALPS,ROHM,Xilinx,Pulse,ON,Everlight and Freescale. Main products comprise IC,Modules,Potentiometer,IC Socket,Relay,Connector.Our parts cover such applications as commercial,industrial, and automotives areas.

We are looking forward to setting up business relationship with you and hope to provide you with the best service and solution. Let us make a better world for our industry!



## Contact us

Tel: +86-755-8981 8866 Fax: +86-755-8427 6832

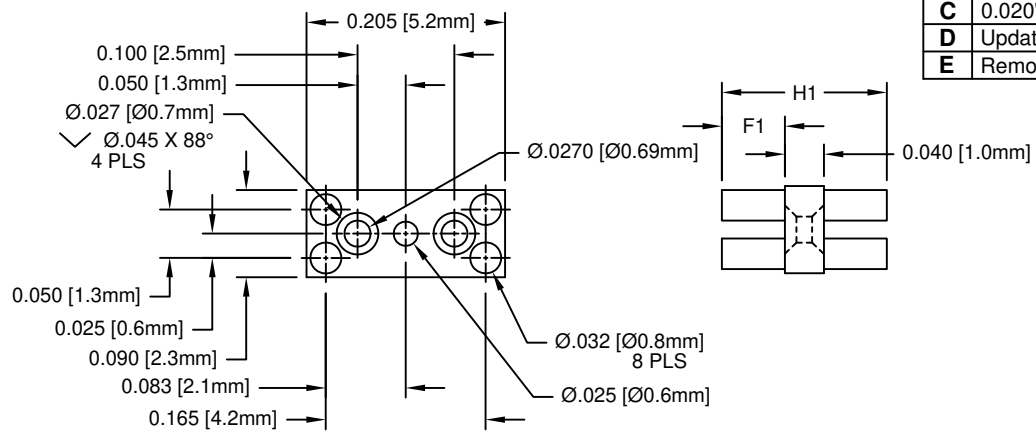
Email & Skype: info@chipsmall.com Web: www.chipsmall.com

Address: A1208, Overseas Decoration Building, #122 Zhenhua RD., Futian, Shenzhen, China

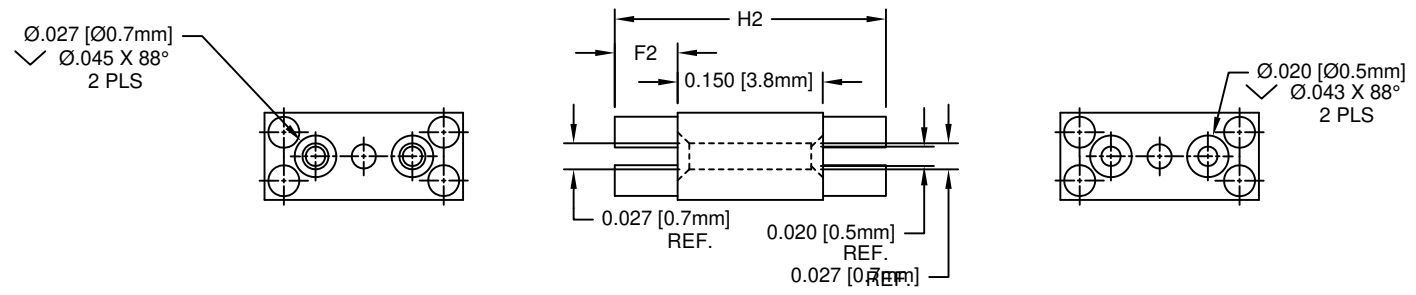


REV.	DESCRIPTION	DATE	APPROVED
B	0.027" Lead Hole Specification Update	10/25/04	M. C.
C	0.020" Lead Hole Specification Update	07/18/05	M. C.
D	Updated Model Views	12/08/09	T. Y.
E	Removed Material Code	05/23/16	J. C.

### RL1-XXX


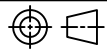


### RL2-XXX



PART NUMBER	H1	F1
RL1-060	.060 (1.5mm)	0.010 (.25mm)
RL1-070	.070 (1.8mm)	0.015 (.38mm)
RL1-080	.080 (2.0mm)	0.020 (.51mm)
RL1-090	.090 (2.3mm)	0.025 (.64mm)
RL1-100	.100 (2.5mm)	0.030 (.76mm)
RL1-110	.110 (2.8mm)	0.035 (.89mm)
RL1-120	.120 (3.0mm)	0.040 (1.0mm)
RL1-130	.130 (3.3mm)	0.045 (1.1mm)
RL1-140	.140 (3.6mm)	0.050 (1.3mm)
RL1-150	.150 (3.8mm)	0.055 (1.4mm)
RL1-160	.160 (4.1mm)	0.060 (1.5mm)
RL1-170	.170 (4.3mm)	0.065 (1.7mm)
RL1-180	.180 (4.6mm)	0.070 (1.8mm)
RL1-190	.190 (4.8mm)	0.075 (1.9mm)
RL1-200	.200 (5.1mm)	0.080 (2.0mm)
RL1-210	.210 (5.3mm)	0.085 (2.2mm)

PART NUMBER	H2	F2
RL2-200	0.200 (5.1mm)	0.025 (.64mm)
RL2-210	0.210 (5.3mm)	0.030 (.76mm)
RL2-220	0.220 (5.6mm)	0.035 (.89mm)
RL2-230	0.230 (5.8mm)	0.040 (1.0mm)
RL2-240	0.240 (6.1mm)	0.045 (1.1mm)
RL2-250	0.250 (6.4mm)	0.050 (1.3mm)
RL2-260	0.260 (6.6mm)	0.055 (1.4mm)
RL2-270	0.270 (6.9mm)	0.060 (1.5mm)
RL2-280	0.280 (7.1mm)	0.065 (1.7mm)
RL2-290	0.290 (7.4mm)	0.070 (1.8mm)
RL2-300	0.300 (7.6mm)	0.075 (1.9mm)
RL2-310	0.310 (7.9mm)	0.080 (2.0mm)
RL2-320	0.320 (8.1mm)	0.085 (2.2mm)
RL2-330	0.330 (8.4mm)	0.090 (2.3mm)
RL2-340	0.340 (8.6mm)	0.095 (2.4mm)
RL2-350	0.350 (8.9mm)	0.100 (2.5mm)

STANDARD TOLERANCE (UNLESS OTHERWISE SPECIFIED) DECIMALS      ANGULAR .X    ± .1      X°   ± 1° .XX   ± .01 .XXX ± .005	 <b>BIVAR</b> <sup>®</sup> 4 THOMAS, IRVINE, CA. 92618 TEL: (949) 951-8808    FAX: (949) 951-3974		
			 <b>TITLE:</b> MOLDED RECTANGULAR LED MOUNT
DESIGNED: <b>M. Chen</b>	DATE: <b>03/11/03</b>	<b>PART NO:</b> RL1-RL2-XXX	REVISION: <b>E</b>
CHECKED: <b>D. Green</b>	DATE: <b>03/11/03</b>	<b>CAGE CODE :</b> 32559	<b>SHEET #</b> 1 OF 1
CAD GENERATED DOCUMENT. DO NOT MEASURE DRAWING.			

- MATERIAL: NYLON 6/6, 94V-0, WHITE.
- GENERAL SPECIFICATIONS: BIVAR MOLDED COMPONENT SPECIFICATION BV00-E101.