



Chipsmall Limited consists of a professional team with an average of over 10 year of expertise in the distribution of electronic components. Based in Hongkong, we have already established firm and mutual-benefit business relationships with customers from,Europe,America and south Asia,supplying obsolete and hard-to-find components to meet their specific needs.

With the principle of "Quality Parts,Customers Priority,Honest Operation,and Considerate Service",our business mainly focus on the distribution of electronic components. Line cards we deal with include Microchip,ALPS,ROHM,Xilinx,Pulse,ON,Everlight and Freescale. Main products comprise IC,Modules,Potentiometer,IC Socket,Relay,Connector.Our parts cover such applications as commercial,industrial, and automotives areas.

We are looking forward to setting up business relationship with you and hope to provide you with the best service and solution. Let us make a better world for our industry!



## Contact us

Tel: +86-755-8981 8866 Fax: +86-755-8427 6832

Email & Skype: info@chipsmall.com Web: www.chipsmall.com

Address: A1208, Overseas Decoration Building, #122 Zhenhua RD., Futian, Shenzhen, China





## Features

- Formerly J.W. Miller® model
- Current rating up to 2.4 A
- Inductance range: 10  $\mu$ H to 10,000  $\mu$ H
- High Q
- Shielded construction
- RoHS compliant\*

## Applications

- DC/DC converters
- Power supplies
- Desktop notebooks
- Output chokes

**BOURNS®**

## RL875S Series - Radial Lead RF Choke

### Electrical Specifications (@ 25 °C)

Part Number	Inductance ( $\mu$ H)	Tol.	Q (Ref.)	Test Frequency		SRF (MHz) Typ.	DCR ( $\Omega$ ) Max.	I dc (mA)
				L	Q			
RL875S-100L-RC	10	$\pm 15\%$	60	2.52 MHz	2.52 MHz	25.0	0.06	2400
RL875S-220L-RC	22	$\pm 15\%$	35	2.52 MHz	2.52 MHz	15.0	0.08	1600
RL875S-270L-RC	27	$\pm 15\%$	35	2.52 MHz	2.52 MHz	14.0	0.10	1490
RL875S-330L-RC	33	$\pm 15\%$	35	2.52 MHz	2.52 MHz	13.5	0.14	1300
RL875S-390L-RC	39	$\pm 15\%$	30	2.52 MHz	2.52 MHz	11.0	0.15	1200
RL875S-470L-RC	47	$\pm 15\%$	30	2.52 MHz	2.52 MHz	12.0	0.17	1100
RL875S-560K-RC	56	$\pm 10\%$	30	2.52 MHz	2.52 MHz	12.0	0.19	990
RL875S-680K-RC	68	$\pm 10\%$	28	2.52 MHz	2.52 MHz	10.5	0.21	890
RL875S-820K-RC	82	$\pm 10\%$	28	2.52 MHz	2.52 MHz	9.0	0.27	810
RL875S-101K-RC	100	$\pm 10\%$	35	1 KHz	796 KHz	6.5	0.32	740
RL875S-121K-RC	120	$\pm 10\%$	45	1 KHz	796 KHz	6.0	0.36	670
RL875S-151K-RC	150	$\pm 10\%$	50	1 KHz	796 KHz	6.0	0.51	600
RL875S-181K-RC	180	$\pm 10\%$	50	1 KHz	796 KHz	5.5	0.57	550
RL875S-221K-RC	220	$\pm 10\%$	60	1 KHz	796 KHz	5.5	0.76	500
RL875S-271K-RC	270	$\pm 10\%$	40	1 KHz	796 KHz	4.0	0.86	450
RL875S-331K-RC	330	$\pm 10\%$	30	1 KHz	796 KHz	4.0	0.97	410
RL875S-391K-RC	390	$\pm 10\%$	50	1 KHz	796 KHz	3.5	1.28	370
RL875S-471K-RC	470	$\pm 10\%$	45	1 KHz	796 KHz	2.5	1.44	340
RL875S-561K-RC	560	$\pm 10\%$	45	1 KHz	796 KHz	2.5	1.61	310
RL875S-681K-RC	680	$\pm 10\%$	45	1 KHz	796 KHz	2.0	2.07	280
RL875S-821K-RC	820	$\pm 10\%$	45	1 KHz	796 KHz	2.0	2.33	260
RL875S-102K-RC	1,000	$\pm 10\%$	95	1 KHz	252 KHz	2.0	2.72	230
RL875S-122K-RC	1,200	$\pm 10\%$	110	1 KHz	252 KHz	1.5	3.98	210
RL875S-152K-RC	1,500	$\pm 10\%$	110	1 KHz	252 KHz	1.5	4.50	190
RL875S-182K-RC	1,800	$\pm 10\%$	110	1 KHz	252 KHz	1.0	6.81	170
RL875S-222K-RC	2,200	$\pm 10\%$	110	1 KHz	252 KHz	1.0	7.56	160
RL875S-272K-RC	2,700	$\pm 10\%$	95	1 KHz	252 KHz	1.0	8.54	140
RL875S-332K-RC	3,300	$\pm 10\%$	95	1 KHz	252 KHz	1.0	9.74	130
RL875S-392K-RC	3,900	$\pm 10\%$	95	1 KHz	252 KHz	1.0	12.9	120
RL875S-472K-RC	4,700	$\pm 10\%$	95	1 KHz	252 KHz	1.0	14.7	110
RL875S-562K-RC	5,600	$\pm 10\%$	95	1 KHz	252 KHz	1.0	20.4	99
RL875S-682K-RC	6,800	$\pm 10\%$	95	1 KHz	252 KHz	0.5	23.0	89
RL875S-822K-RC	8,200	$\pm 10\%$	85	1 KHz	252 KHz	0.5	30.6	81
RL875S-103K-RC	10,000	$\pm 10\%$	85	1 KHz	79.6 KHz	0.5	35.0	74

### General Specifications

Rated Current..... Inductance drop 10 %, or temperature rise of 40 °C at I dc  
 Operating Temperature .....-40 °C to +105 °C  
 Storage Temperature .....-40 °C to +105 °C

### Materials

Core Material.....Ferrite  
 Wire .....Enameled copper  
 Terminal Coating.....Sn

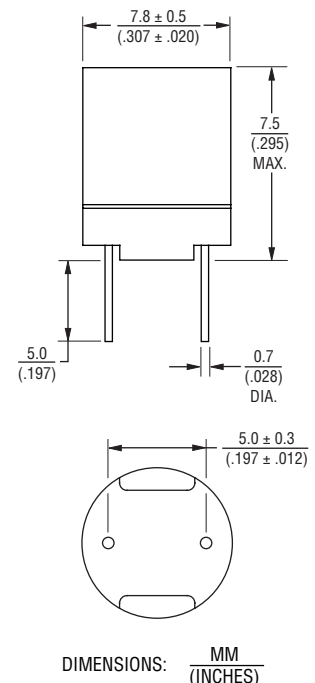
### Marking

..... Value code on top of inductor

### Packaging

Standard..... 100 pcs. per bag

### Product Dimensions



### How To Order

**RL875S - 102K - RC**

Model \_\_\_\_\_  
 Value/Tolerance Code (see table) \_\_\_\_\_  
 Compliance Code \_\_\_\_\_  
 RC = RoHS Compliant

### Example:

RL875S-102K-RC = 1000  $\mu$ H,  $\pm 10\%$

### Electrical Schematic

