



Chipsmall Limited consists of a professional team with an average of over 10 year of expertise in the distribution of electronic components. Based in Hongkong, we have already established firm and mutual-benefit business relationships with customers from,Europe,America and south Asia,supplying obsolete and hard-to-find components to meet their specific needs.

With the principle of “Quality Parts,Customers Priority,Honest Operation,and Considerate Service”,our business mainly focus on the distribution of electronic components. Line cards we deal with include Microchip,ALPS,ROHM,Xilinx,Pulse,ON,Everlight and Freescale. Main products comprise IC,Modules,Potentiometer,IC Socket,Relay,Connector.Our parts cover such applications as commercial,industrial, and automotives areas.

We are looking forward to setting up business relationship with you and hope to provide you with the best service and solution. Let us make a better world for our industry!



## Contact us

Tel: +86-755-8981 8866 Fax: +86-755-8427 6832

Email & Skype: info@chipsmall.com Web: www.chipsmall.com

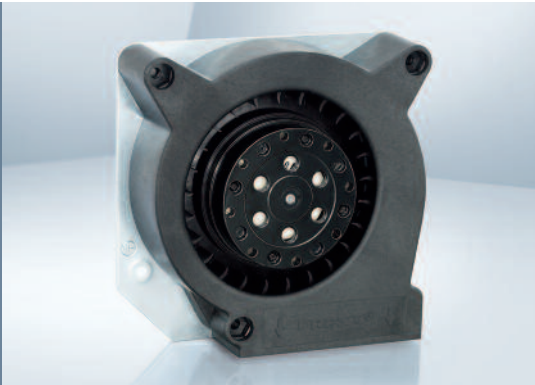
Address: A1208, Overseas Decoration Building, #122 Zhenhua RD., Futian, Shenzhen, China



Max. 42 m<sup>3</sup>/h

# AC centrifugal fans

□ 121 x 37 mm



- **Material:** Scroll housing: GRP<sup>1)</sup> (PBT)  
Impeller: GRP<sup>1)</sup> (PA)  
Housing base: Sheet steel
  - **Direction of air flow:** Centrifugal: discharge through window in housing
  - **Direction of rotation:** Clockwise, looking towards rotor
  - **Connection:** Via 2 single wires; housing base with flat plugs 6.3 x 0.8 mm for ground conductor
  - **Highlights:** Forward-curved impeller
  - **Weight:** 680 g
- **Possible special versions:** (See page 12)
    - Moisture protection
    - Salt spray protection
    - Degree of protection: IP 54

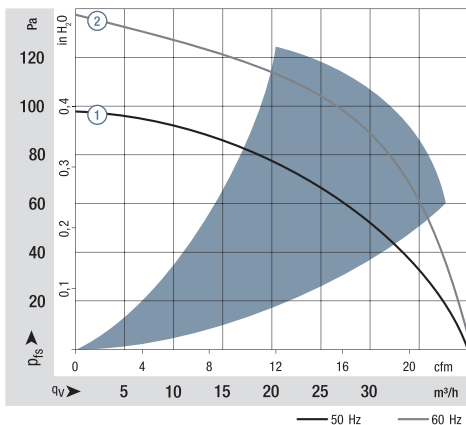
1) Fiberglass-reinforced plastic

## Series RL 90

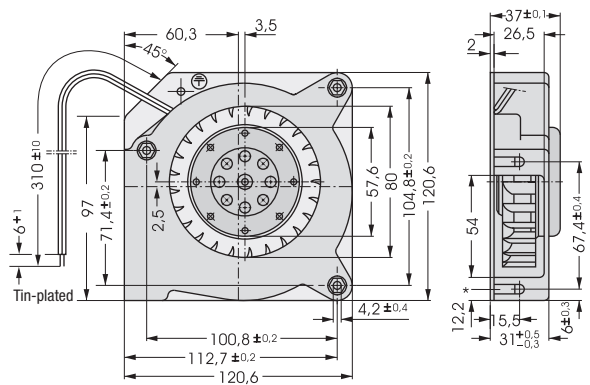
Nominal data	Air flow		Nominal voltage	Frequency	Sound power level	Sinter sleeve bearings Ball bearings		Power consumption	Nominal speed	Temperature range	Service life L <sub>10</sub>		Curve
	m <sup>3</sup> /h	cfm				VAC	Hz				Bel(A)	□ / ■	
RL 90-18/50	40	23.5	230	50	5.6	□	20.0	2 450	-10...+50	37 500 / 30 000		①	
RL 90-18/56	40	23.5	230	50	5.6	■	20.0	2 450	-30...+70	37 500 / 20 000		①	
RL 90-18/00	42	24.7	115	60	6.0	□	19.5	2 550	-10...+60	37 500 / 25 000		②	
RL 90-18/06	42	24.7	115	60	6.0	■	19.5	2 550	-30...+85	37 500 / 15 000		②	

Subject to change

Fan type		Connection wires
RL 90-18/50	RL 90-18/00	AWG 18, TR 32
RL 90-18/56	RL 90-18/06	AWG 22



Air performance measured according to: ISO 5801.  
Installation category A, without contact protection.  
Noise: Total sound power level L<sub>WA</sub> ISO 103002 measured on a hemisphere with a radius of 2 m;  
Sound pressure level L<sub>pA</sub> measured at 1 m distance from fan axis.  
The values given are applicable only under the specified measuring conditions and may differ depending on the installation conditions, described measurement set-up and may vary depending on the installation situation.  
For detailed information see <http://www.ebmpapst.com/general-conditions>



\*Speed nut M4 or 8-32UNC. Screw in depth max. 12.5 min 9.0