



Chipsmall Limited consists of a professional team with an average of over 10 year of expertise in the distribution of electronic components. Based in Hongkong, we have already established firm and mutual-benefit business relationships with customers from,Europe,America and south Asia,supplying obsolete and hard-to-find components to meet their specific needs.

With the principle of “Quality Parts,Customers Priority,Honest Operation,and Considerate Service”,our business mainly focus on the distribution of electronic components. Line cards we deal with include Microchip,ALPS,ROHM,Xilinx,Pulse,ON,Everlight and Freescale. Main products comprise IC,Modules,Potentiometer,IC Socket,Relay,Connector.Our parts cover such applications as commercial,industrial, and automotives areas.

We are looking forward to setting up business relationship with you and hope to provide you with the best service and solution. Let us make a better world for our industry!



Contact us

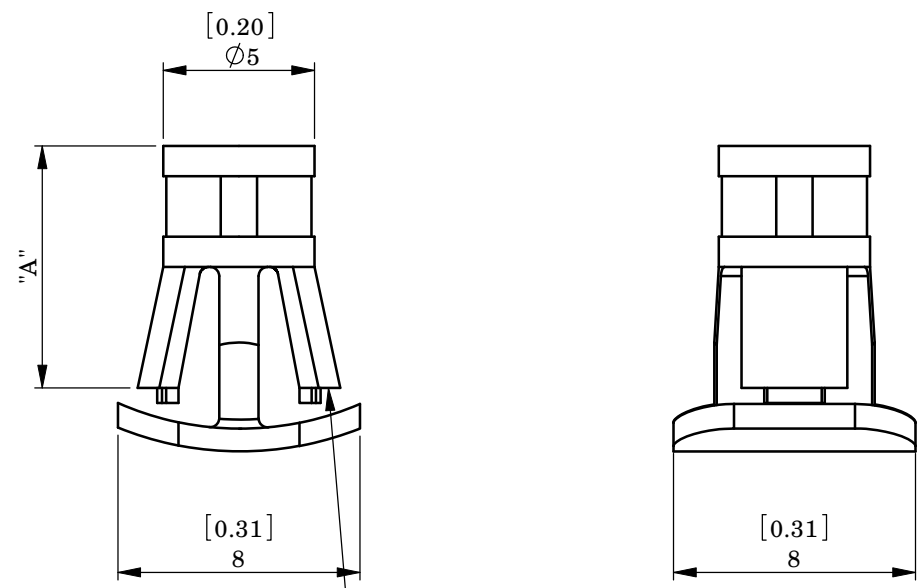
Tel: +86-755-8981 8866 Fax: +86-755-8427 6832

Email & Skype: info@chipsmall.com Web: www.chipsmall.com

Address: A1208, Overseas Decoration Building, #122 Zhenhua RD., Futian, Shenzhen, China



REV.	MODIFICATION.	DATE	DRN
A 01	Pre lim in a ry Dra w ing Pro d u c t i o n Re l e a s e	09/09/08 15/09/08	MT MT



TO FIT IN A Ø5.5mm [0.22] HOLE,
0.5mm [0.02]-1.0mm [0.04] THICK PANEL

MAT'L: NYLON 6/6 RMS-01* COLOUR: NATURAL	"A" STANDOFF HEIGHT
RLC BSB-5-01	5 [0.20]
RLC BSB-6-01	6 [0.24]
RLC BSB-8-01	8 [0.31]
RLC BSB-10-01	10 [0.39]
RLC BSB-12-01	12 [0.47]
RLC BSB-14-01	14 [0.55]
*AVAILABLE IN UL94 V0 BY SPECIAL ORDER. TO ORDER REPLACE-01 WITH -19.	

INFORMATION CONTAINED IN THIS DOCUMENT IS CONFIDENTIAL TO RICHCO INTERNATIONAL Co. Ltd. AND MAY NOT BE DISCLOSED OR REPRODUCED IN WHOLE OR PART WITHOUT THEIR WRITTEN CONSENT.

METRIC PRIMARY UNITS: mm
IMPERIAL SECONDARY UNITS: [inches]
GENERAL TOLERANCES ±0.25 [0.010]
UNLESS OTHERWISE STATED
1 DECIMAL PLACE ±
2 DECIMAL PLACES ±
ANGULAR ±1°

THIRD ANGLE

MATERIAL: NYLON 6/6 (RMS-01)		COLOUR: NATURAL	
DESCRIPTION: REVERSE LOCKING CIRCUIT BOARD SUPPORT		PART No : SEE TABLE	
DRG No : 08-090	NPR No : GB08-0058	Mass:(g) 0.2-0.4	SHEET SIZE A4
DRN MT	DATE 09/09/08	CHKD JK	DATE 15/09/08
SCALE NTS		SHEET No . 1 OF 1	