



Chipsmall Limited consists of a professional team with an average of over 10 year of expertise in the distribution of electronic components. Based in Hongkong, we have already established firm and mutual-benefit business relationships with customers from,Europe,America and south Asia,supplying obsolete and hard-to-find components to meet their specific needs.

With the principle of “Quality Parts,Customers Priority,Honest Operation,and Considerate Service”,our business mainly focus on the distribution of electronic components. Line cards we deal with include Microchip,ALPS,ROHM,Xilinx,Pulse,ON,Everlight and Freescale. Main products comprise IC,Modules,Potentiometer,IC Socket,Relay,Connector.Our parts cover such applications as commercial,industrial, and automotives areas.

We are looking forward to setting up business relationship with you and hope to provide you with the best service and solution. Let us make a better world for our industry!



Contact us

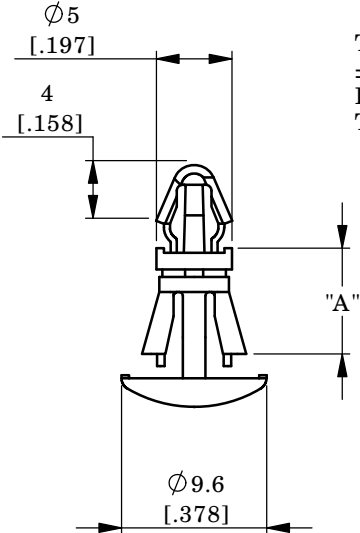
Tel: +86-755-8981 8866 Fax: +86-755-8427 6832

Email & Skype: info@chipsmall.com Web: www.chipsmall.com

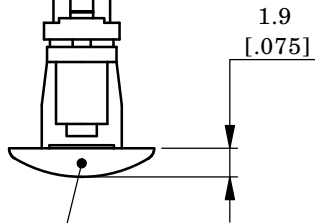
Address: A1208, Overseas Decoration Building, #122 Zhenhua RD., Futian, Shenzhen, China



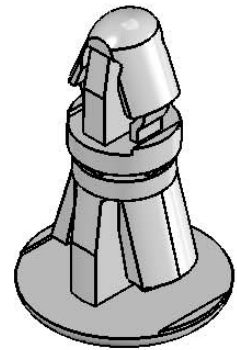
REV.	MODIFICATION.	DATE	DRN
02	CO2010472	12/11/08	OW
03	CO2010545	09/02/09	SF
04	CO2010677	09/06/09	SF
05	CO2010971	04/08/10	SF
06	CO2011253	12/04/12	SF
07	CO2011281	09/08/12	SF



TO SNAP LOCK INTO A Ø4 ±0.08 [.158 ±.003] HOLE, INTO A 1.6 [.063] NOM THICK PANEL



TO SNAP LOCK INTO A Ø5.4 ±0.08 [.213 ±.003] HOLE, INTO A 1.6 [.063] NOM THICK PANEL FOR RLC BSK & 2 [.078] NOM THICK PANEL FOR RLC BSK-2



NOTES:

- PARTS AVAILABLE IN BLACK BY SPECIAL ORDER ADD BK TO END OF PART NUMBER. E.G. RLC BSK-6-01BK
- RLC BSK & RLC BSK2 SERIES AVAILABLE BY SPECIAL ORDER IN THE NAFTA REGION
- AVAILABLE IN PA 6(RMS-078) VERSION BY SPECIAL ORDER ADD "-078" TO END OF PART NUMBER.
EXAMPLE: "RLC BSK-8-78".
- AVAILABLE IN NYLON 4/6 HEAT STABILIZED(RMS-109) VERSION BY SPECIAL ORDER ADD "-109" TO END OF PART NUMBER.
EXAMPLE: "RLC BSK-8-109".

ALTERNATE UNITS FOR REFERENCE ONLY

MATERIAL: NYLON 6/6 UL94 V-2(RMS-01)	MATERIAL: NYLON 6/6 UL94 V-0(RMS-19)	"A" DIMENSION
RLC BSK-6-01	RLC BSK-6-19	6[.236]
RLC BSK-2-6-01	RLC BSK-2-6-19	
RLC BSK-7-01	RLC BSK-7-19	7[.276]
RLC BSK-2-7-01	RLC BSK-2-7-19	
RLC BSK-8-01	RLC BSK-8-19	8[.315]
RLC BSK-2-8-01	RLC BSK-2-8-19	
RLC BSK-10-01	RLC BSK-10-19	10[.394]
RLC BSK2-10-01	RLC BSK2-10-19	
RLC BSK-12-01	RLC BSK-12-19	12[.472]
RLC BSK-2-12-01	RLC BSK-2-12-19	
RLC BSK-14-01	RLC BSK-14-19	14[.551]
RLC BSK2-14-01	RLC BSK2-14-19	
RLC BSK-16-01	RLC BSK-16-19	16[.629]
RLC BSK-2-16-01	RLC BSK-2-16-19	

INFORMATION CONTAINED IN THIS DOCUMENT IS CONFIDENTIAL TO RICHCO INTERNATIONAL Co., Ltd. AND MAY NOT BE DISCLOSED OR REPRODUCED IN WHOLE OR PART WITHOUT THEIR WRITTEN CONSENT

RIC HCO, INC.
WWW.RICHCO-INC.COM

GENERAL TOLERANCES ±0.25 [.010] UNLESS OTHERWISE STATED
ANGULAR ±1°

MATERIAL: SEE TABLE & NOTES
COLOR: NATURAL

DESCRIPTION: REVERSE LOCKING CIRCUIT BOARD SUPPORT
PART No: See Table

DRG No: 08-110
NPR No: NA
SHEET SIZE A4

DRN	DATE	CHKD	DATE	SCALE	SHEET No.
OW	12/11/08	TC	12/11/08	NTS	1 OF 1