



Chipsmall Limited consists of a professional team with an average of over 10 year of expertise in the distribution of electronic components. Based in Hongkong, we have already established firm and mutual-benefit business relationships with customers from,Europe,America and south Asia,supplying obsolete and hard-to-find components to meet their specific needs.

With the principle of “Quality Parts,Customers Priority,Honest Operation,and Considerate Service”,our business mainly focus on the distribution of electronic components. Line cards we deal with include Microchip,ALPS,ROHM,Xilinx,Pulse,ON,Everlight and Freescale. Main products comprise IC,Modules,Potentiometer,IC Socket,Relay,Connector.Our parts cover such applications as commercial,industrial, and automotives areas.

We are looking forward to setting up business relationship with you and hope to provide you with the best service and solution. Let us make a better world for our industry!



Contact us

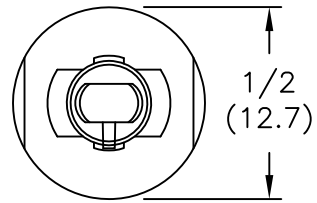
Tel: +86-755-8981 8866 Fax: +86-755-8427 6832

Email & Skype: info@chipsmall.com Web: www.chipsmall.com

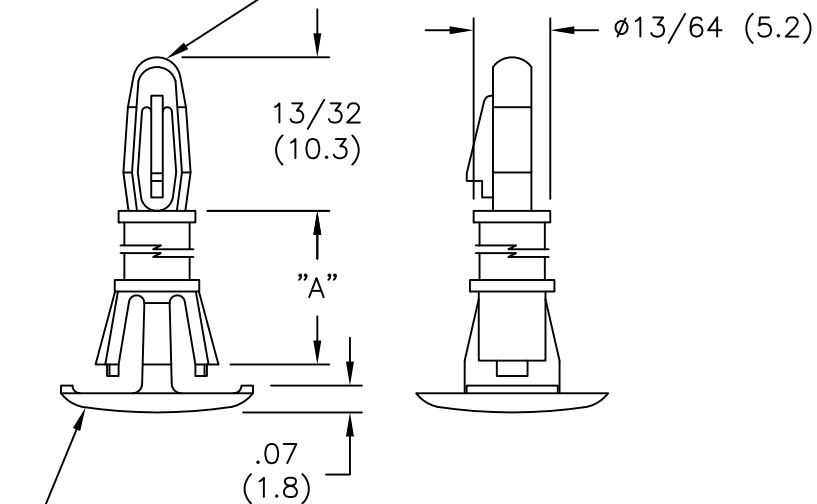
Address: A1208, Overseas Decoration Building, #122 Zhenhua RD., Futian, Shenzhen, China



PART #	DIM. "A" ±.015(0.4)
RLCBSR1-4-01	1/4 (6.4)
RLCBSR1-6-01	3/8 (9.5)
RLCBSR1-8-01	1/2 (12.7)
RLCBSR1-10-01	5/8 (15.9)



TO SNAP-LOCK IN A .156(4.00)
±.003(0.08) DIA. HOLE, IN A
.062(1.57) THICK BOARD/PANEL.



TO SNAP-LOCK IN A .250±.003
(6.35±0.08) DIA. HOLE, IN
A .059 TO .065 (1.50 TO 1.65)
THICK PANEL/BOARD

NOTES:

- MATERIAL: NYLON 6/6 (RMS-01).
FLAME RETARDANT NYLON (RMS-19),
AVAILABLE BY SPECIAL ORDER.
- COLOR: NATURAL.

TITLE: REVERSE LOCK CKT. BD. SUPPORT, STYLE #1		DWG IN IN(MM)		FINAL			
TOLERANCES UNLESS NOTED .XX=±.010 .XXX=±.015 FRAC=1/64 ANG=1°	FILE # RLCBSR1	DWN: J.B./R.T.	APP:	PART #		PRINT TYPE	
	MAT'L: SEE NOTES	DT: 11-17-95	DT:	SEE TABLE		CA	
	RE: RICHCO INC.	RICHCO INC. PO BOX 804238, CHICAGO, 60680 (773) 539-4060					

REV	DESCRIPTION	ENGR DATE
D	ADDED ø13/64 (5.2), CO 200708	SK 09.14.11
C	SEE ECN #539 FOR CHANGES	SM 12.10.02
B	CHANGED FILE NUMBER	SM 05.03.01
A	MAT'L RMS-19 ADDED	J.L. 12.29.97