



Chipsmall Limited consists of a professional team with an average of over 10 year of expertise in the distribution of electronic components. Based in Hongkong, we have already established firm and mutual-benefit business relationships with customers from,Europe,America and south Asia,supplying obsolete and hard-to-find components to meet their specific needs.

With the principle of “Quality Parts,Customers Priority,Honest Operation,and Considerate Service”,our business mainly focus on the distribution of electronic components. Line cards we deal with include Microchip,ALPS,ROHM,Xilinx,Pulse,ON,Everlight and Freescale. Main products comprise IC,Modules,Potentiometer,IC Socket,Relay,Connector.Our parts cover such applications as commercial,industrial, and automotives areas.

We are looking forward to setting up business relationship with you and hope to provide you with the best service and solution. Let us make a better world for our industry!



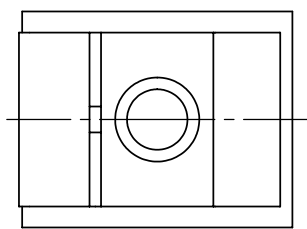
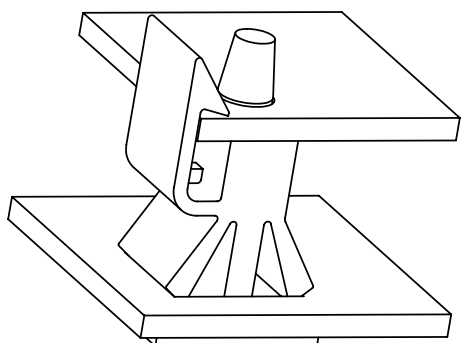
## Contact us

Tel: +86-755-8981 8866 Fax: +86-755-8427 6832

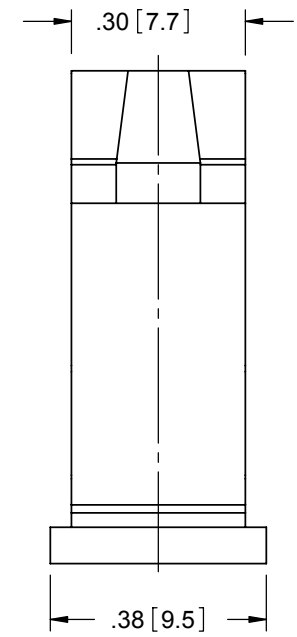
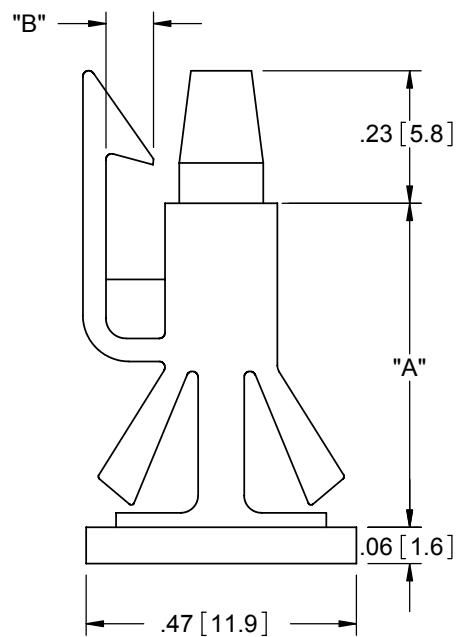
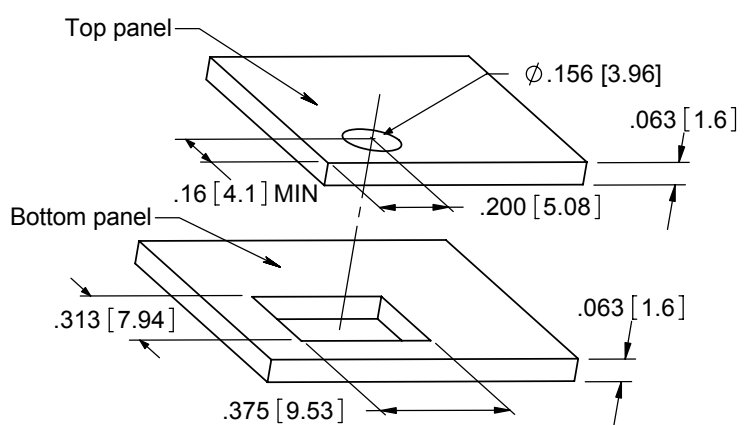
Email & Skype: info@chipsmall.com Web: www.chipsmall.com

Address: A1208, Overseas Decoration Building, #122 Zhenhua RD., Futian, Shenzhen, China





Part No.	"A"	"B"
RLEHCBS-5-01BK	.38 [9.5]	.06 [1.5]
RLEHCBS-6-01BK	.44[11.1]	
RLEHCBS-7-01BK	.50[12.7]	.08 [2.1]
RLEHCBS-8-01BK	.56[14.3]	



- NOTES:
- Material: Nylon 6/6 (RMS-01).  
Flame Retardant Nylon, (RMS-19) available by special order.  
To order, replace -01 with -19.
  - Color: Black. Natural, also available by special order.  
To order, remove BK from part no.
  - Designed to snap lock into the bottom of a .313 X .375 [7.94 X 9.53] hole, and top panel with Ø.156 [3.96] hole .200 [5.08] from edge.
  - Board clearance is dependent on bottom panel thickness.

TITLE: REVERSE LOCKING EDGE HOLDING CIRCUIT BOARD SUPPORT						DWG IN IN[mm]	
CREATED USING SOLIDWORKS	FILE #: RLEHCBS	DWN: D.J.Z.	APP: DJZ	FINAL			
TOLERANCES UNLESS NOTED .XX=±.010 .XXX=±.005 FRAC.=±1/64 ANG.=±1°	SHEET: 1 OF 1	SHEET SIZE: A	DT: 06/19/03	CHKD: SJ	PART #		PRINT TYPE
RE: RICHCO	RICHCO, INC. ENG@RICHCO-INC.COM (773) 539-4060		SEE TABLE		CA		

REV.	DESCRIPTION	ENGR.	DATE
D	SEE ECN #1256 FOR CHANGES	SK	11/30/06
C	SEE ECN #875 FOR CHANGES	SM	11/01/04
B	ADDED DIMENSIONS, SEE ECN #786 FOR CHANGES	SM	04/30/04
A	RELEASE FOR PRODUCTION	SM	08/26/03