



Chipsmall Limited consists of a professional team with an average of over 10 year of expertise in the distribution of electronic components. Based in Hongkong, we have already established firm and mutual-benefit business relationships with customers from,Europe,America and south Asia,supplying obsolete and hard-to-find components to meet their specific needs.

With the principle of “Quality Parts,Customers Priority,Honest Operation,and Considerate Service”,our business mainly focus on the distribution of electronic components. Line cards we deal with include Microchip,ALPS,ROHM,Xilinx,Pulse,ON,Everlight and Freescale. Main products comprise IC,Modules,Potentiometer,IC Socket,Relay,Connector.Our parts cover such applications as commercial,industrial, and automotives areas.

We are looking forward to setting up business relationship with you and hope to provide you with the best service and solution. Let us make a better world for our industry!



Contact us

Tel: +86-755-8981 8866 Fax: +86-755-8427 6832

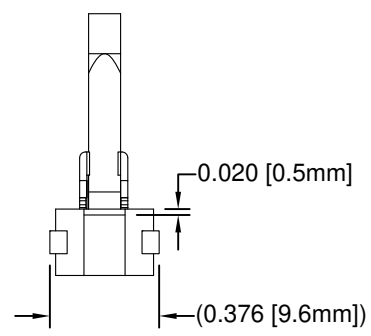
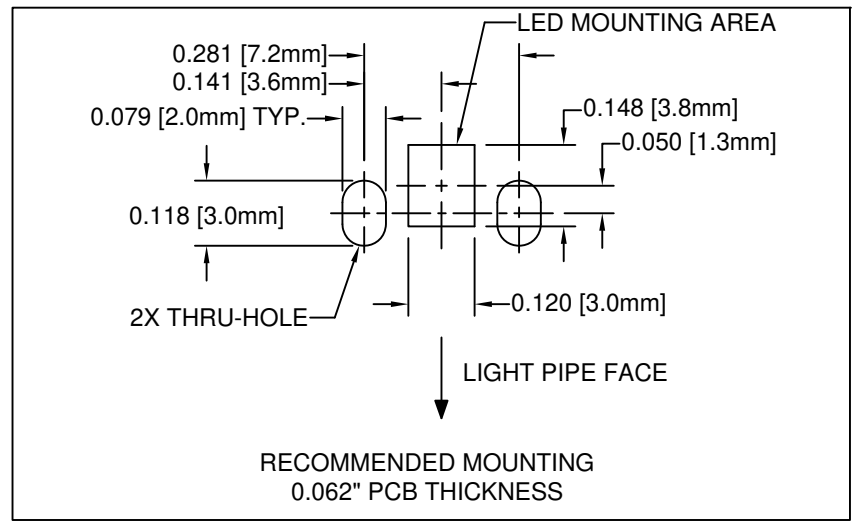
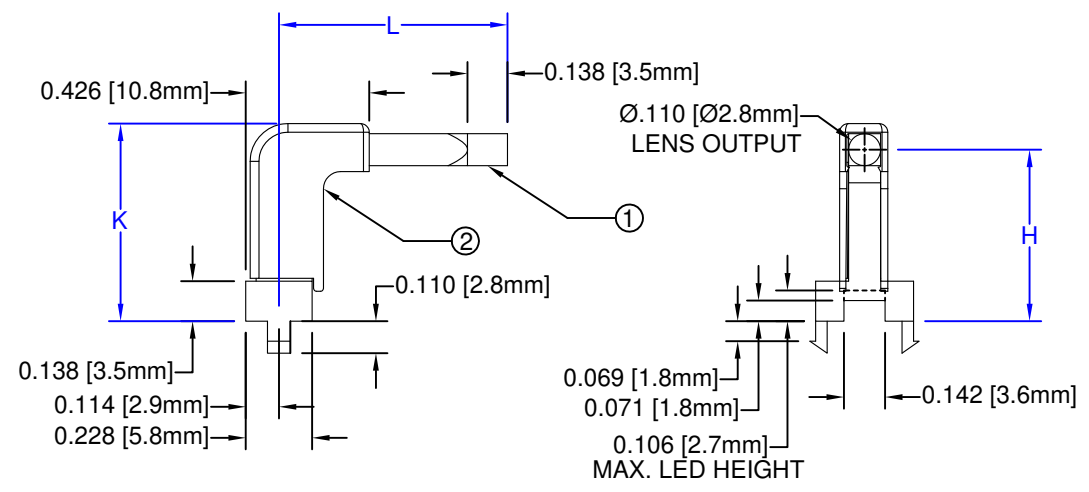
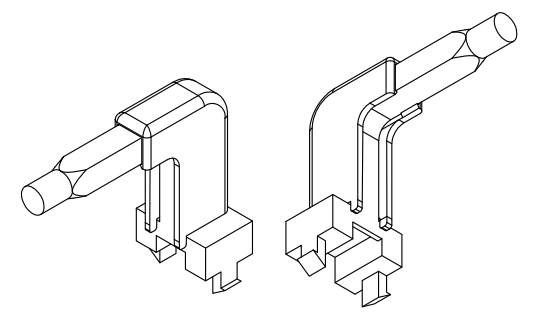
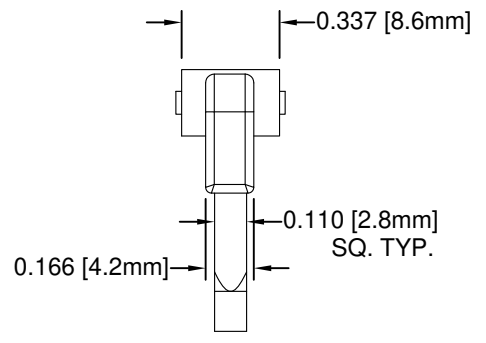
Email & Skype: info@chipsmall.com Web: www.chipsmall.com

Address: A1208, Overseas Decoration Building, #122 Zhenhua RD., Futian, Shenzhen, China



ITEM	Q'TY	PART NUMBER	PART DESCRIPTION
1	1	LPR1-XXX-XXX	Surface Mount Right Angle Light Pipe, 2.8mm, Single Station. See Table on 2nd Page
2	1	RLPH1-XXX	LPR Housing, Single Station, White. See Table on 2nd Page

REV.	DESCRIPTION	DATE	APPROVED
A	Engineering Release	11/06/09	T. Y.
B	Added Overall Height "K" Dim	03/04/11	T. Y.
C	Added Overall Snap Height Dimension	08/15/12	T. Y.
D	Added Color Options, Sheet #3	02/02/16	J. C.





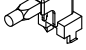
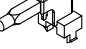
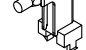
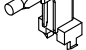
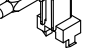




STANDARD TOLERANCE (UNLESS OTHERWISE SPECIFIED)	
DECIMALS	ANGULAR
.X ± .1	X° ± 1°
.XX ± .01	
.XXX ± .010	

BIVAR[®]
 4 THOMAS, IRVINE, CA. 92618
 TEL: (949) 951-8808 FAX: (949) 951-3974

DESIGNED: Raffy Paje	DATE: 11/06/09	TITLE: RIGHT ANGLE LIGHT PIPE, 2.8MM, SINGLE STATION	REVISION: D
CHECKED: T. Yin	DATE: 11/06/09	PART NO: RLP1-XXX-XXX	REVISION: D
		CAGE CODE : 32559	SHEET # 1 OF 3
CAD GENERATED DOCUMENT. DO NOT MEASURE DRAWING.			

REV.	DESCRIPTION	DATE	APPROVED
	SEE SHEET #1		

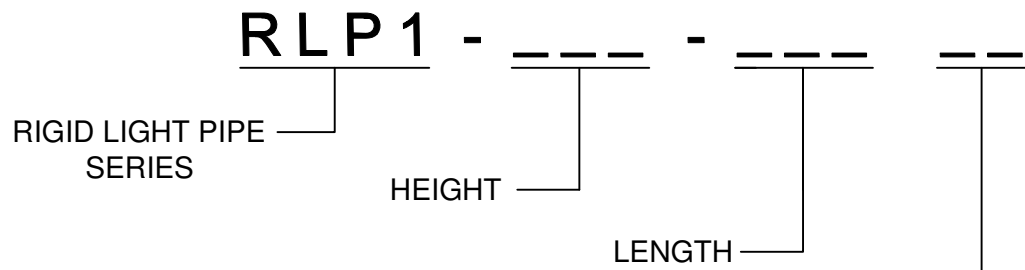
RLP1-XXX-XXX						
ASSY P/N	H	L	K	LPR1-XXX-XXX	RLPH1-XXX	FIGURE
RLP1-200-500	0.197 [5.0mm]	0.551 [14.0 mm]	0.287 [7.3mm]	LPR1-200-500	RLPH1-200	
RLP1-200-650		0.669 [17.0mm]		LPR1-200-650	RLPH1-200	
RLP1-200-800		0.787 [20.0mm]		LPR1-200-800	RLPH1-200	
RLP1-400-500	0.394 [10.0mm]	0.551 [14.0 mm]	0.484 [12.3mm]	LPR1-400-500	RLPH1-400	
RLP1-400-650		0.669 [17.0mm]		LPR1-400-650	RLPH1-400	
RLP1-400-800		0.787 [20.0mm]		LPR1-400-800	RPH1-400	
RLP1-600-500	0.591 [15.0mm]	0.551 [14.0 mm]	0.681 [17.3mm]	LPR1-600-500	RLPH1-600	
RLP1-600-650		0.669 [17.0mm]		LPR1-600-650	RLPH1-600	
RLP1-600-800		0.787 [20.0mm]		LPR1-600-800	RLPH1-600	

STANDARD TOLERANCE (UNLESS OTHERWISE SPECIFIED)		 BIVAR [®] 4 THOMAS, IRVINE, CA. 92618 TEL: (949) 951-8808 FAX: (949) 951-3974	
DECIMALS	ANGULAR		
.X ± .1	X° ± 1°	 TITLE: RIGHT ANGLE LIGHT PIPE, 2.8MM, SINGLE STATION	
.XX ± .01			
.XXX ± .010			
DESIGNED: Raffy Paje	DATE: 11/06/09	PART NO: RLP1-XXX-XXX	REVISION: D
CHECKED: T. Yin	DATE: 11/06/09	CAGE CODE : 32559	SHEET # 2 OF 3
CAD GENERATED DOCUMENT. DO NOT MEASURE DRAWING.			

OTHER AVAILABLE COLORS

* SEE TABLE FOR ORDERING INFORMATION


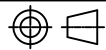
REV.	DESCRIPTION	DATE	APPROVED
	SEE SHEET #1		



COLOR	Order Code
BLUE	BE
BLACK	BK
GREEN	GN
GRAY	GY
RED	RD
YELLOW	YW

NOTE: LEAVE ORDER CODE BLANK IF NO COLOR IS DESIRED.

- 2. ONLY LIGHT PIPES OF ASSEMBLIES WILL BE DYED.
- 1. PARTS ARE DYED TO COLOR UPON REQUEST.

STANDARD TOLERANCE (UNLESS OTHERWISE SPECIFIED) DECIMALS ANGULAR		 4 THOMAS, IRVINE, CA. 92618 TEL: (949) 951-8808 FAX: (949) 951-3974	
			
DESIGNED: K. Aukshunas	DATE: 01/22/16	TITLE: RIGHT ANGLE LIGHT PIPE, 2.8 MM, SINGLE STATION	REVISION: D
CHECKED: J. Chiang	DATE: 01/22/16	PART NO: RLP1-XXX-XXX	CAGE CODE : 32559 SHEET # 3 OF 3
CAD GENERATED DOCUMENT. DO NOT MEASURE DRAWING.			