



Chipsmall Limited consists of a professional team with an average of over 10 year of expertise in the distribution of electronic components. Based in Hongkong, we have already established firm and mutual-benefit business relationships with customers from,Europe,America and south Asia,supplying obsolete and hard-to-find components to meet their specific needs.

With the principle of “Quality Parts,Customers Priority,Honest Operation,and Considerate Service”,our business mainly focus on the distribution of electronic components. Line cards we deal with include Microchip,ALPS,ROHM,Xilinx,Pulse,ON,Everlight and Freescale. Main products comprise IC,Modules,Potentiometer,IC Socket,Relay,Connector.Our parts cover such applications as commercial,industrial, and automotives areas.

We are looking forward to setting up business relationship with you and hope to provide you with the best service and solution. Let us make a better world for our industry!



## Contact us

Tel: +86-755-8981 8866 Fax: +86-755-8427 6832

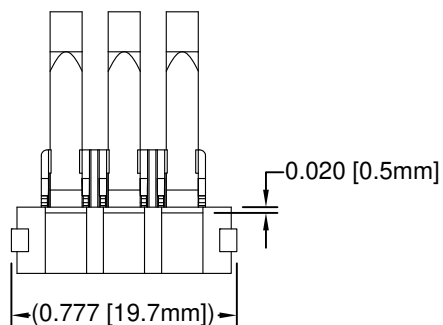
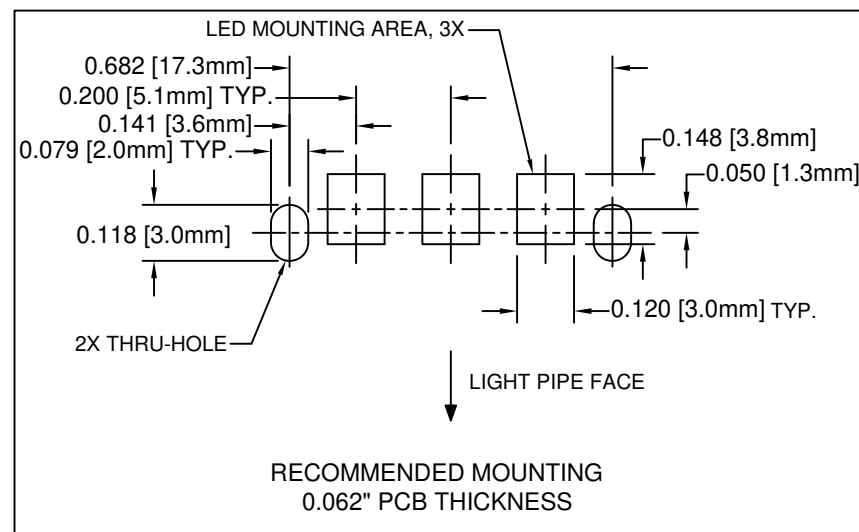
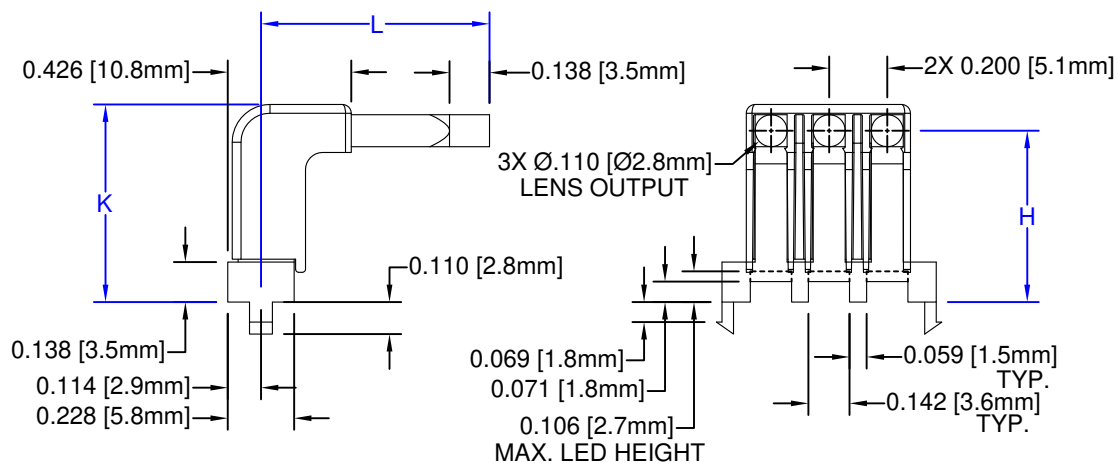
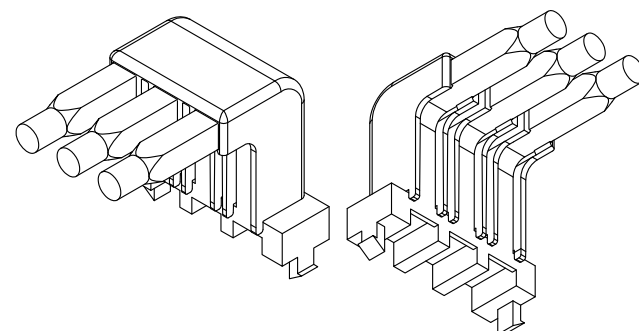
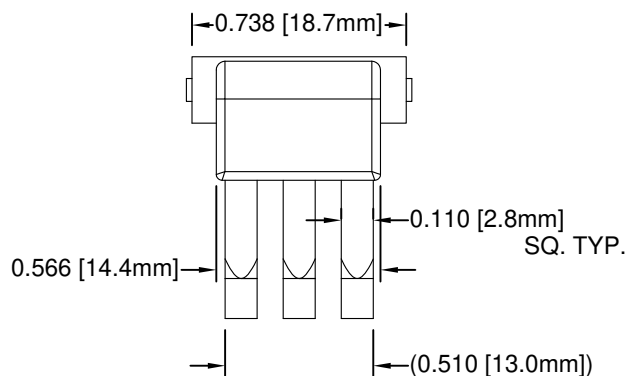
Email & Skype: info@chipsmall.com Web: www.chipsmall.com

Address: A1208, Overseas Decoration Building, #122 Zhenhua RD., Futian, Shenzhen, China



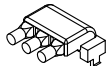
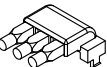
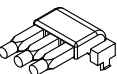
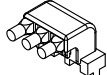
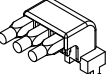
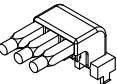
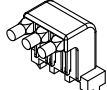
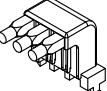
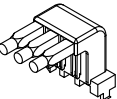
ITEM	QTY	PART NUMBER	PART DESCRIPTION
1	1	LPR3-XXX-XXX	Surface Mount Right Angle Light Pipe, 2.8mm, 3 Station. See Table on 2nd Page
2	1	RLPH3-XXX	LPR Housing, 3 Station, White. See Table on 2nd Page


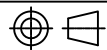
REV.	DESCRIPTION	DATE	APPROVED
A	Engineering Release	11/06/09	T. Y.
B	Added Overall Height "K" Dim	03/04/11	T. Y.
C	Added Overall Snap Height Dimension	08/15/12	T. Y.
D	Added Color Options, Sheet #3	02/02/16	J. C.



STANDARD TOLERANCE (UNLESS OTHERWISE SPECIFIED)		BIVAR®	
DECIMALS	ANGULAR	4 THOMAS, IRVINE, CA. 92618	
.X ±.1	X° ±1°	TEL: (949) 951-8808 FAX: (949) 951-3974	
.XX ±.01		TITLE: RIGHT ANGLE LIGHT PIPE, 2.8MM, 3 STATION	
.XXX ±.010		PART NO: RLP3-XXX-XXX	
DESIGNED: <b>Raffy Paje</b>	DATE: <b>11/06/09</b>	REVISION: <b>D</b>	
CHECKED: <b>T. Yin</b>	DATE: <b>11/06/09</b>	CAGE CODE : 32559	SHEET # 1 OF 3
CAD GENERATED DOCUMENT. DO NOT MEASURE DRAWING.			

REV.	DESCRIPTION	DATE	APPROVED
	SEE SHEET #1		

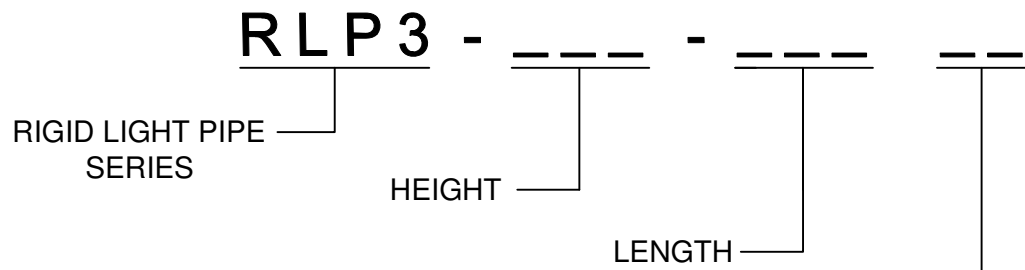
RLP3-XXX-XXX						
ASSY P/N	H	L	K	LPR3-XXX-XXX	RLPH3-XXX	FIGURE
RLP3-200-500	0.197 [5.0mm]	0.551 [14.0mm]	0.287 [7.3mm]	LPR3-200-500	RLPH3-200	
RLP3-200-650		0.669 [17.0mm]		LPR3-200-650	RLPH3-200	
RLP3-200-800		0.787 [20.0mm]		LPR3-200-800	RLPH3-200	
RLP3-400-500	0.394 [10.0mm]	0.551 [14.0mm]	0.484 [12.3mm]	LPR3-400-500	RLPH3-400	
RLP3-400-650		0.669 [17.0mm]		LPR3-400-650	RLPH3-400	
RLP3-400-800		0.787 [20.0mm]		LPR3-400-800	RPH3-400	
RLP3-600-500	0.591 [15.0mm]	0.551 [14.0mm]	0.681 [17.3mm]	LPR3-600-500	RLPH3-600	
RLP3-600-650		0.669 [17.0mm]		LPR3-600-650	RLPH3-600	
RLP3-600-800		0.787 [20.0mm]		LPR3-600-800	RLPH3-600	

STANDARD TOLERANCE ( UNLESS OTHERWISE SPECIFIED )		 4 THOMAS, IRVINE, CA. 92618 TEL: (949) 951-8808 FAX: (949) 951-3974	
DECIMALS	ANGULAR		
.X ± .1	X° ± 1°	 <b>TITLE:</b> RIGHT ANGLE LIGHT PIPE, 2.8MM, 3 STATION	
.XX ± .01			
.XXX ± .010		<b>PART NO:</b> RLP3-XXX-XXX	
DESIGNED: <b>Raffy Paje</b>	DATE: <b>11/06/09</b>	<b>REVISION:</b> D	
CHECKED: <b>T. Yin</b>	DATE: <b>11/06/09</b>	<b>CAGE CODE : 32559</b>	
		<b>SHEET # 2 OF 3</b>	
CAD GENERATED DOCUMENT. DO NOT MEASURE DRAWING.			

**OTHER AVAILABLE COLORS**

\* SEE TABLE FOR ORDERING INFORMATION


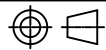
REV.	DESCRIPTION	DATE	APPROVED
	SEE SHEET #1		



COLOR	Order Code
BLUE	BE
BLACK	BK
GREEN	GN
GRAY	GY
RED	RD
YELLOW	YW

NOTE: LEAVE ORDER CODE BLANK IF NO COLOR IS DESIRED.

- 2. ONLY LIGHT PIPES OF ASSEMBLIES WILL BE DYED.
- 1. PARTS ARE DYED TO COLOR UPON REQUEST.

STANDARD TOLERANCE ( UNLESS OTHERWISE SPECIFIED ) DECIMALS                      ANGULAR		 4 THOMAS, IRVINE, CA. 92618 TEL: (949) 951-8808    FAX: (949) 951-3974	
			
DESIGNED: <b>K. Aukshunas</b>	DATE: <b>01/25/16</b>	<b>TITLE:</b> RIGHT ANGLE LIGHT PIPE, 2.8MM, 3 STATION	
CHECKED: <b>J. Chiang</b>	DATE: <b>01/25/16</b>	<b>PART NO:</b> RLP3-XXX-XXX	REVISION: <b>D</b>
		<b>CAGE CODE : 32559</b>	<b>SHEET # 3 OF 3</b>
CAD GENERATED DOCUMENT. DO NOT MEASURE DRAWING.			